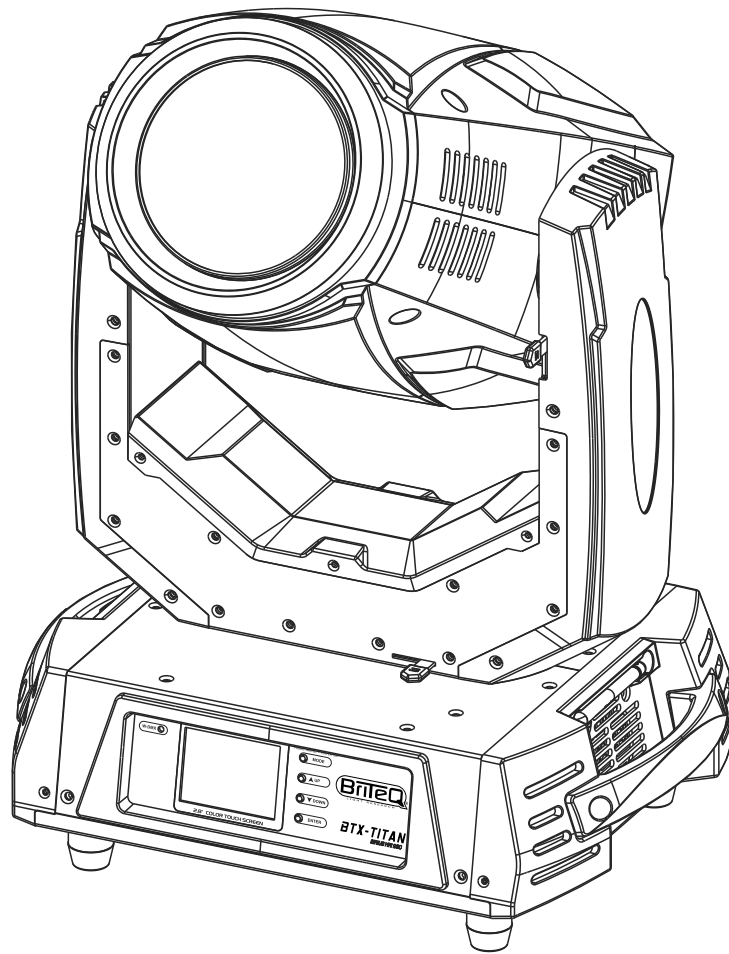


# ***BTX-TITAN***

***SIRIUS HRI 280***



**Operation Manual EN**

**Mode d'emploi FR**

**Gebruiksaanwijzing NL**

**Bedienungsanleitung DE**

**Manual de instrucciones ES**

**CE**

*Version: 1.1*

**BriteQ®**  
LIGHT RESEARCH



### **EN - DISPOSAL OF THE DEVICE**

Dispose of the unit and used batteries in an environment friendly manner according to your country regulations.

### **FR - DÉCLASSER L'APPAREIL**

Débarrassez-vous de l'appareil et des piles usagées de manière écologique Conformément aux dispositions légales de votre pays.

### **NL - VERWIJDEREN VAN HET APPARAAT**

Verwijder het toestel en de gebruikte batterijen op een milieuvriendelijke manier conform de in uw land geldende voorschriften.

### **DU - ENTSORGUNG DES GERÄTS**

Entsorgen Sie das Gerät und die Batterien auf umweltfreundliche Art und Weise gemäß den Vorschriften Ihres Landes.

### **ES - DESHACERSE DEL APARATO**

Reciclar el aparato y pilas usadas de forma ecologica conforme a las disposiciones legales de su país.

### **PT - COMO DESFAZER-SE DA UNIDADE**

Tente reciclar a unidade e as pilhas usadas respeitando o ambiente e em conformidade com as normas vigentes no seu país.

# OPERATION MANUAL

Thank you for buying this Briteq® product. To take full advantage of all possibilities and for your own safety, please read these operating instructions very carefully before you start using this unit.

## FEATURES

- Perfect for rental companies: this projector has BEAM + SPOT + WASH in 1 UNIT
- The OSRAM SIRIUS HRI 280 lamp (7800K), combined with Hi-Q optics, make it incredibly bright:
  - BEAM: 2,7° ~ 11°, max. 82.650 lux @ 20m
  - SPOT: 5° ~ 23°, max. 25.400 lux @ 10m
- The different effect wheels create dazzling effects:
  - 1 color wheel with 13 carefully selected colors, including CTO & CTB-filters + white
  - 1 gobo wheel with 14 static gobos + open
  - 1 gobo wheel with 9 easily replaceable rotating gobos (glass + metal, OD: 15.8mm / IM: 12.5mm)
  - **The round 8 facet + linear 6 facet prisms have separate rotation speed settings and can be mixed for stunning effects!**
  - FROST-effect (WASH effect)
  - Motorized ZOOM + FOCUS with calibrated DMX-values
  - Accurate Dimmer/shutter for linear dimming and variable strobe effects
- The 3-Phase MOONS' stepper motors assure very fast 540°/270° PAN/TILT movements with 8 or 16bit precision.
- Modular setup for easy servicing and cleaning.
- Optional wireless DMX-module available (W-DMX Sweden)
- 2.8" Color touch screen with automatic display rotation for easy and intuitive menu navigation
- 3 Different DMX channel modes (17ch, 24ch & 25ch) for maximum flexibility
- Easy firmware updates keep your machine up-to-date at all times (optional firmware updater needed)
- Remote lamp on/off control
- Neutrik 3pin & 5pin XLR® in/outputs for maximum flexibility in a professional environment
- Neutrik PowerCON® in/outputs: up to 16A can be daisy chained for easy installation
- Equipped with omega brackets for fast installation.
- Power consumption: only 400W

## BEFORE USE

- Before you start using this unit, please check if there's no transportation damage. Should there be any, do not use the device and consult your dealer first.
- **Important:** This device left our factory in perfect condition and well packaged. It is absolutely necessary for the user to strictly follow the safety instructions and warnings in this user manual. Any damage caused by mishandling is not subject to warranty. The dealer will not accept responsibility for any resulting defects or problems caused by disregarding this user manual.
- Keep this booklet in a safe place for future consultation. If you sell the fixture, be sure to add this user manual.

### Check the contents:

Check that the carton contains the following items:

- BTX-TITAN
- 2pcs Quick lock "Omega bracket"
- PowerCON® cable
- Safety cable
- Operating instructions

## SAFETY INSTRUCTIONS



**CAUTION**  
RISK OF ELECTRIC SHOCK  
DO NOT OPEN



**CAUTION:** To reduce the risk of electric shock, do not remove the top cover. No user-serviceable parts inside. Refer servicing to qualified service personnel only.



The lightning flash with arrowhead symbol within the equilateral triangle is intended to alert the user to the presence of un-insulated "dangerous voltage" within the product's enclosure that may be of sufficient magnitude to constitute a risk of electric shock.



The exclamation point within the equilateral triangle is intended to alert the user to the presence of important operation and maintenance (servicing) instructions in the literature accompanying this appliance.



This symbol means: indoor use only



This symbol means: Read instructions



This symbol determines: the minimum distance from lighted objects. The minimum distance between light-output and the illuminated surface must be more than 12 meters



The device is not suitable for direct mounting on normally flammable surfaces. (suitable only for mounting on non-combustible surfaces)

- To protect the environment, please try to recycle the packing material as much as possible.
- A new light effect sometimes causes some unwanted smoke and/or smell. This is normal and disappears after some minutes.
- To prevent fire or shock hazard, do not expose this appliance to rain or moisture.
- To avoid condensation to be formed inside, allow the unit to adapt to the surrounding temperatures when bringing it into a warm room after transport. Condense sometimes prevents the unit from working at full performance or may even cause damages.
- This unit is for indoor use only.
- Don't place metal objects or spill liquid inside the unit. Electric shock or malfunction may result. If a foreign object enters the unit, immediately disconnect the mains power.
- Locate the fixture in a well ventilated spot, away from any flammable materials and/or liquids. The fixture must be fixed at least 50cm from surrounding walls.
- Don't cover any ventilation openings as this may result in overheating.
- Prevent use in dusty environments and clean the unit regularly.
- Keep the unit away from children.
- Inexperienced persons should not operate this device.
- Maximum save ambient temperature is 40°C. Don't use this unit at higher ambient temperatures.
- The units' surface temperature may reach up to 85°C. Don't touch the housing with bare hands during its operation.
- Make sure the area below the installation place is free from unwanted persons during rigging, de-rigging and servicing.
- Allow the device about 10 minutes to cool down before replacing the bulb or start servicing.
- Always unplug the unit when it is not used for a longer time or before replacing the bulb or start servicing.
- The electrical installation should be carried out by qualified personal only, according to the regulations for electrical and mechanical safety in your country.
- Check that the available voltage is not higher than the one stated on the rear panel of the unit.
- The power cord should always be in perfect condition. Switch the unit immediately off when the power cord is squashed or damaged. It must be replaced by the manufacturer, its service agent or similarly qualified persons in order to avoid a hazard.
- Never let the power-cord come into contact with other cables!
- This fixture must be earthed in order to comply with safety regulations.
- Don't connect the unit to any dimmer pack.
- Always use an appropriate and certified safety cable when installing the unit.
- In order to prevent electric shock, do not open the cover. Apart from the lamp and mains fuse there are no user serviceable parts inside.
- Never repair a fuse or bypass the fuse holder. Always replace a damaged fuse with a fuse of the same type and electrical specifications!
- In the event of serious operating problems, stop using the fixture and contact your dealer immediately.
- The housing and the lenses must be replaced if they are visibly damaged.
- Please use the original packing when the device is to be transported.

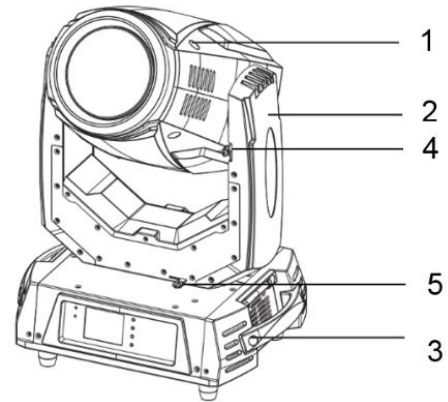
- Due to safety reasons it is prohibited to make unauthorized modifications to the unit.

**Important:** Never look directly into the light source! Don't use the effect in the presence of persons suffering from epilepsy.

**DESCRIPTION:**

**DEVICE:**

1. Head
2. Arm
3. Base
4. Tilt arm self-locking handle
5. Pan self-locking handle

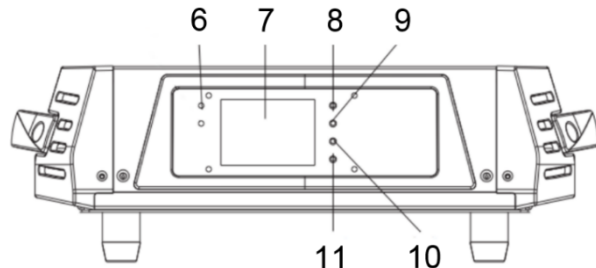


**Caution: the head and arm must be unlocked before operation!**

- Tilt mechanism locks and releases every 45°
- Pan mechanism locks and releases every 45°

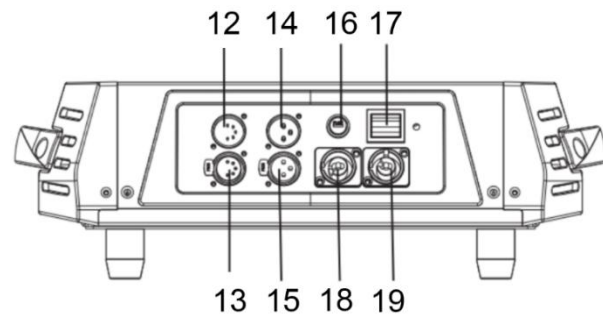
**CONTROL PANEL:**

6. Wireless DMX led
7. LCD Touchscreen display
8. MODE button
9. UP button
10. DOWN button
11. ENTER button



**REAR PANEL:**

12. DMX XLR-5Pin out
13. DMX XLR-5Pin in
14. DMX XLR-3Pin out
15. DMX XLR-3Pin in
16. Main Fuse
17. Power switch
18. PowerCon® In
19. PowerCon® Out



*Hint: Please check our website for special cable assemblies that contain both power (3x1.5mm<sup>2</sup> with Neutrik PowerCON®) and balanced signal (XLR 3pin) in one cable. Different lengths are available: 1.3m, 3m, 5m and 10m, very convenient!*

## LAMP (RE)PLACEMENT



In case of replacement of the lamp or maintenance, do not open the fixture within 10 minutes until the unit cools down after switching off. Always unplug the unit before servicing! Always use the same type of spare parts (bulbs, fuses, etc.) When replacing parts, please only genuine spare parts.

Because of its high internal pressure, there might be a risk that the Discharge lamp would explode during operation. The lamp emits intense UV radiation which is harmful to the eyes and skin. The high luminance of the arc can cause severe damage to the retina if you take a close look at the lamp.

To protect the lamp, always turn off the lamp first (via control panel or DMX controller) and let the unit run at least five minutes to cool down before switching off the mains supply. Never handle the lamp or luminary when it is hot.

Wear gloves, do not touch the bulb with bare hands. If this happens, clean the lamp with denatured alcohol and wipe it with a lint free cloth before installation.

When lighting up, the lamp operates at high pressure and there is a slight risk of arc tube rupture. The risk increases with age, temperature and improper handling of the lamp.

Do not use the lamp longer than its lifespan.

Make sure the lamp is located in the center of the reflector for the best projection.

- Switch off the unit and unplug the mains cable.
- Wait for about 10 minutes until the unit has been cooled down.
- Use a screwdriver to unscrew the screws (A-B-C) to open the back cover of the fixture.(Fig. 1)

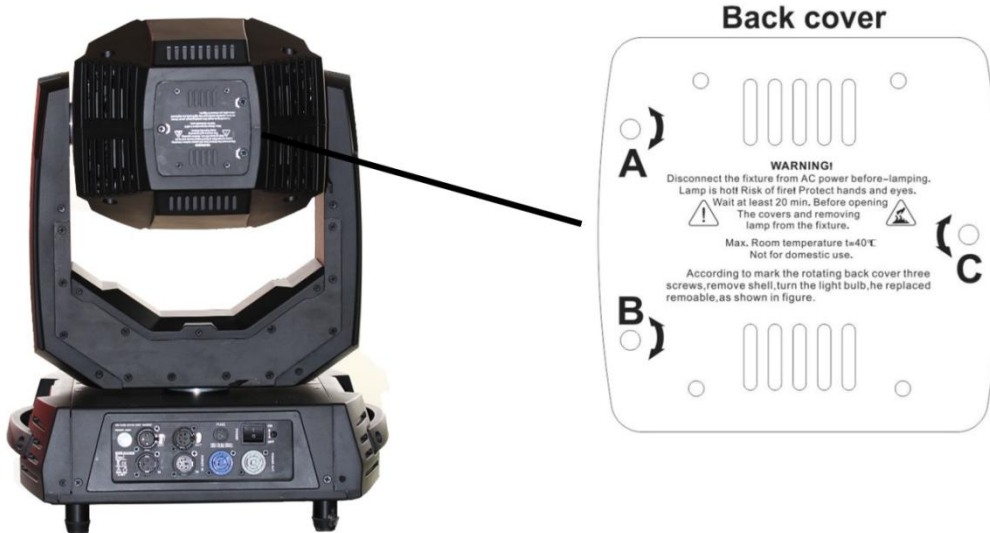


Figure 1 – Back cover

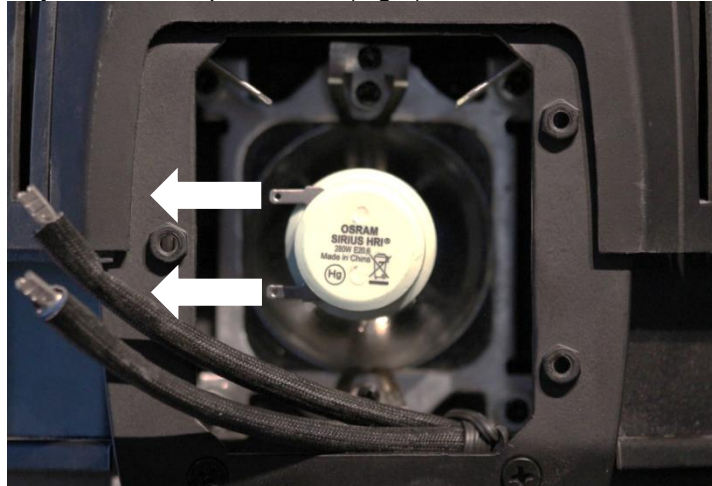
Inside you will find the OSRAM “Sirius HRI 280W E20.6” lamp (Figure 2)

**Attention:** wear gloves, do not touch the bulb with bare hands. If this happens, clean the lamp with denatured alcohol and wipe it with a lint free cloth before installation. Not doing this will shorten the life of the new lamp!



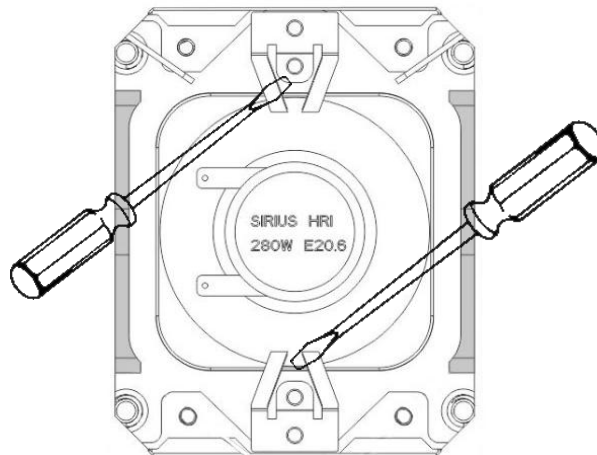
Figure 2 - OSRAM Sirius HRI 280W

- Remove the cables gently from the lamp terminals (Fig.3)



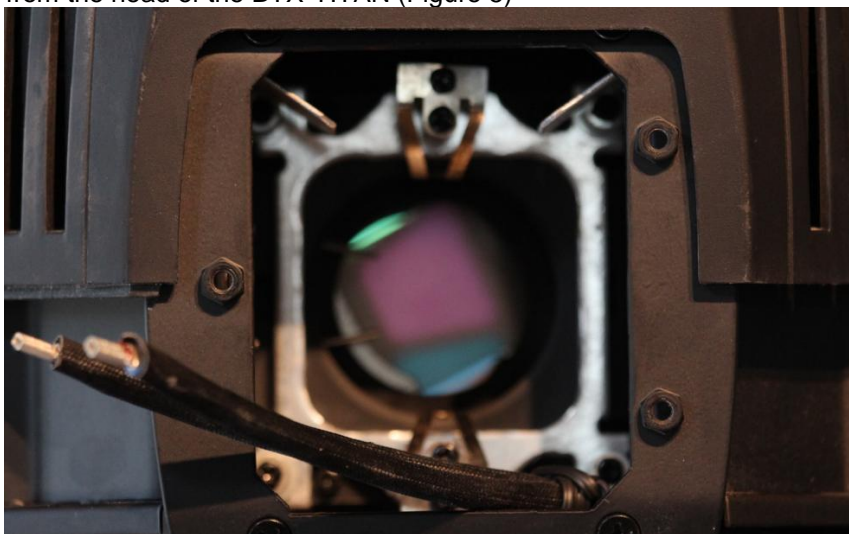
**Figure 3 - Removed cables**

- No need to unscrew any more screws to remove the lamp, just GENTLY move the two metal parts that maintain the lamp in position. Hold the lamp by the base during this operation (Figure 4)



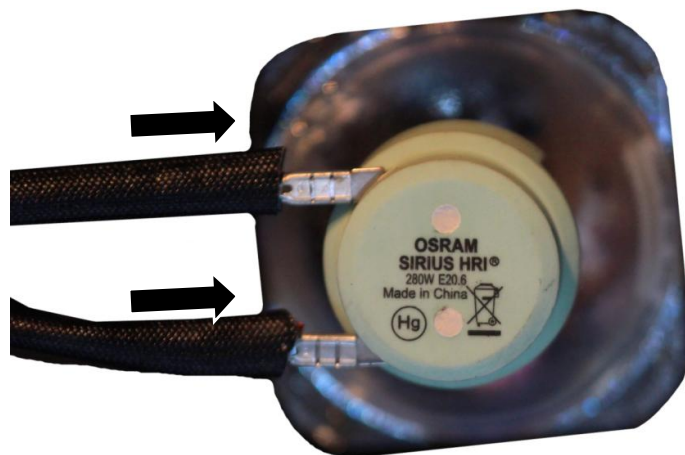
**Figure 4 - Move the metal support of the lamp GENTLY**

- Remove the lamp from the head of the BTX-TITAN (Figure 5)



**Figure 5 - Lamp removed from the head of the BTX-TITAN**

- Connect the cables to the new OSRAM “Sirius HRI 280W E20.6” lamp  
**Important:** ONLY use an original “Philips MSD Platinum 2R” lamp, other lamps could result in less performance or even damage the unit.



- Place the new lamp on the support by pressing it until the two metal supports maintains correctly the lamp.
- Switch the unit back on and use a DMX controller to point the open beam on a wall.  
**Attention:** avoid looking at light coming directly from the lamp inside the unit, the UV-radiation of the lamp is harmful for your eyes. (The light of the beam passes through a UV-filter first)
- You will see a hotspot in the beam projected on the wall. Adjust this hotspot using the screw as shown in Fig. 6. The hotspot should be as much as possible in the center of the beam.

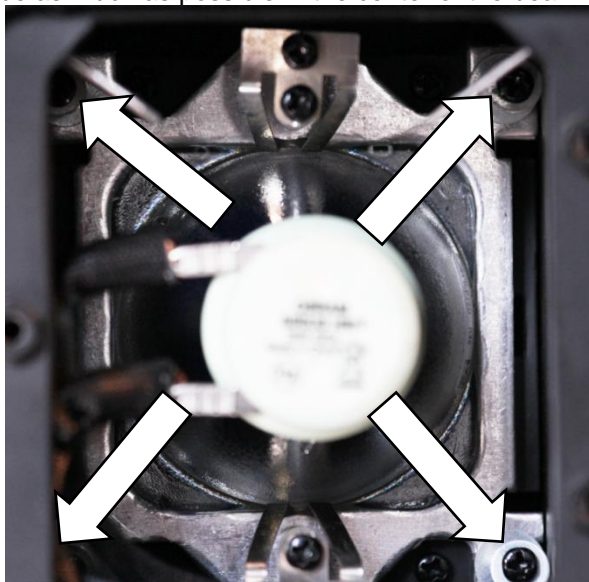


Figure 6 - Hotspot correction screws

- Close the cover
- Done

## OVERHEAD RIGGING

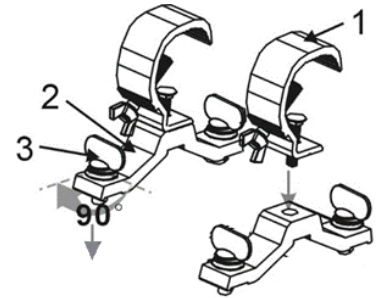
- **Important:** The installation must be carried out by qualified service personal only. Improper installation can result in serious injuries and/or damage to property. Overhead rigging requires extensive experience! Working load limits should be respected, certified installation materials should be used, the installed device should be inspected regularly for safety.
- Make sure the area below the installation place is free from unwanted persons during rigging, de-rigging and servicing.
- Locate the fixture in a well ventilated spot, far away from any flammable materials and/or liquids. The fixture must be fixed **at least 50cm** from surrounding walls.
- The device should be installed out of reach of people and outside areas where persons may walk by or be seated.
- Before rigging make sure that the installation area can hold a minimum point load of 10times the device's weight.



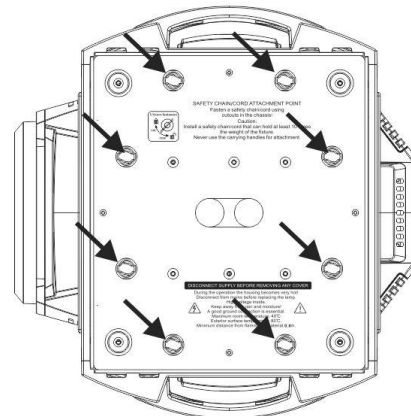
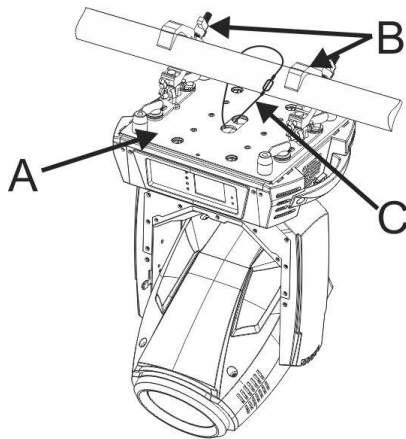
- Always use a certified safety cable that can hold 12 times the weight of the device when installing the unit. This secondary safety attachment should be installed in a way that no part of the installation can drop more than 20cm if the main attachment fails.
- The device should be well fixed; a free-swinging mounting is dangerous and may not be considered!
- Don't cover any ventilation openings as this may result in overheating.
- The operator has to make sure that the safety-relating and machine-technical installations are approved by an expert before using them for the first time. The installations should be inspected every year by a skilled person to be sure that safety is still optimal.

**Installation:**

- Fix the Truss hooks (1) to the Omega clamps with screw and locking nut.
- Fasten the omega clamps (2) on the bottom of the base by inserting quick-lock fasteners (3) into the holes of the base and tighten fully clockwise.



**OMEGA BRACKET HOLES**



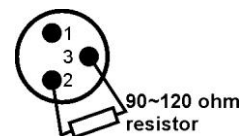
- A = Mounting plate
- B = Quick clamps
- C = Safety cable / Security chain

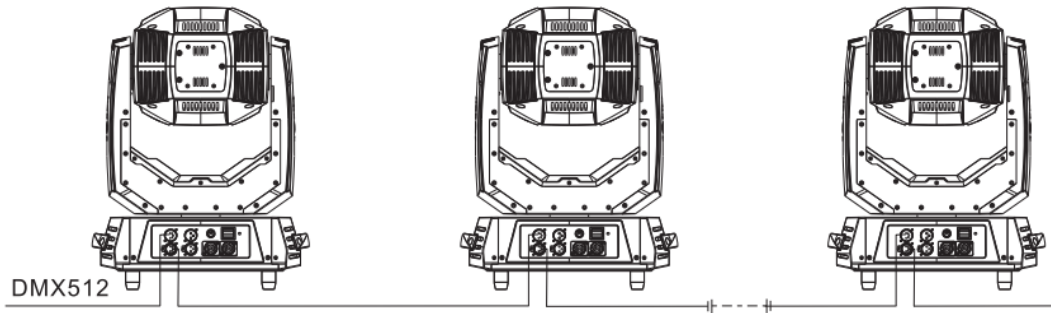
**ELECTRICAL INSTALLATION + ADDRESSING**

**⚠ Important:** The electrical installation should be carried out by qualified personal only, according to the regulations for electrical and mechanical safety in your country.

**Electrical installation for two or more units in DMX-mode:**

- The DMX-protocol is a widely used high speed signal to control intelligent light equipment. You need to “daisy chain” your DMX controller and all the connected units with a good quality balanced cable.
- Both XLR-3pin and XLR-5pin connectors are used, however XLR-3pin is more popular because these cables are compatible with balanced audio cables.  
 Pin layout XLR-3pin: Pin1 = GND ~ Pin2 = Negative signal (-) ~ Pin3 = Positive signal (+)  
 Pin layout XLR-5pin: Pin1 = GND ~ Pin2 = Negative signal (-) ~ Pin3 = Positive signal (+) ~ Pins4+5 not used.
- To prevent strange behavior on the DMX units, due to interferences, you must use a 90Ω to 120Ω terminator at the end of the chain. Never use Y-splitter cables, this simply won't work!
- Make sure that all units are connected to the mains.
- Each unit in the chain needs to have its proper starting address so it knows which commands from the controller it has to decode. In the next section you will learn how to set the DMX addresses.





## OPERATING INSTRUCTIONS

- Do not switch the unit on and off in short time intervals as this reduces the lamp life.
- Always unplug the unit when it is not used for a longer time or before replacing the bulb and or making the service.
- In the event of serious operating problems, stop using the fixture and contact your dealer immediately.
- **Important:** Never look directly into the light source! Don't use the effect in the presence of persons suffering from epilepsy.

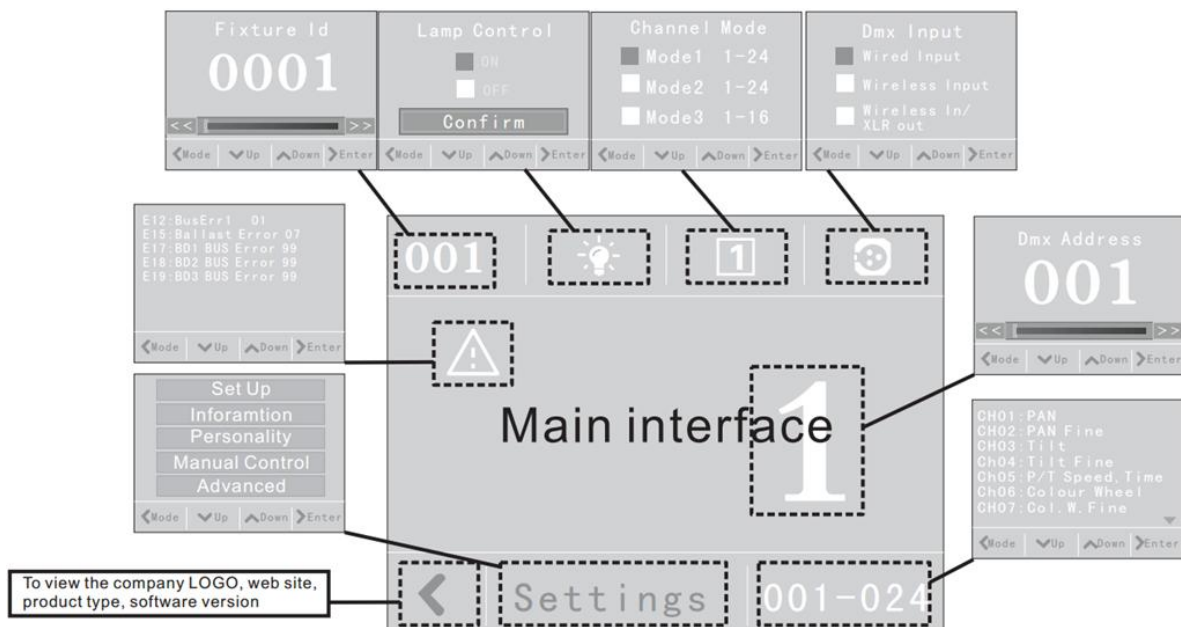
### MENU

You can use the buttons or touch screen to navigate the setup menu with its different sub menus etc. You can easily change settings like DMX address, different functions etc.

- Use the UP / DOWN buttons to navigate the menu and change the values of the selected functions.
- Each time you select a menu item or change a setting you must press the ENTER button to confirm.
- Press the MENU button to return to the (previous) menu.

### TOUCHSCREEN – MAIN INTERFACE LAYOUT:

When the unit is switched on, the display shows the BriteQ logo, followed by the main interface as shown below. The main interface is split up in different parts (icons). You can press these icons, which are in fact shortcuts, to immediately access different parts of the setup menu (see drawing).



### FIXTURE ID

The Fixture id (ranging from 0001 to 9999) makes installation easier because each product can be identified by a unique number. With the internal battery, no need to plug the power to set or read the fixture id. To change the fixture id a password is needed: the password is "1702".

## LAMP CONTROL



Set the lamp ON or OFF

## CHANNEL MODE

Set the channel mode of BriteQ BTX-TITAN:

- **Mode 1:** 24 Channels
- **Mode 2:** 25 Channels
- **Mode 3:** 17 Channels

## DMX INPUT

-  **is green:** received DMX-signal is OK.
-  **is red and lcd is blinking:** received DMX-signal is NOT OK or NO DMX-signal received.

Used to set the desired input for the DMX signal:

- **Wired Input:** XLR (3 or 5pin) input is used.
- **Wireless Input:** DMX-signal comes from an external wireless transmitter (sold separately)
- **Wireless Input / XLR out:** DMX-signal comes from an external wireless transmitter (sold separately). The wireless DMX-signal is also available at the DMX output port (3 or 5 pins) for further daisy chaining of other equipment.

**Important Remark:** originally this projector is NOT equipped with a wireless receiver module. A wireless receiver module is optionally available.


## DMX ADDRESS

Set the DMX address by pressing the center of the screen at least 2 seconds (yellow progress bar appears on the screen) and DMX Address panel appears. DMX address can be modified with the slider on the touch screen or with the “+” and “-“ button. The “>>” icon sets the last valid DMX address, according to the selected channel mode. The “<<” sets the address to 1. Confirm the DMX address by pressing ENTER. The main page is now updated, and the DMX range used by the product is on the right down corner of the screen.

## CHANNEL LIST

Pressing on the DMX address range xxx-xxx on the main screen shows the DMX-chart according to the selected channel mode.

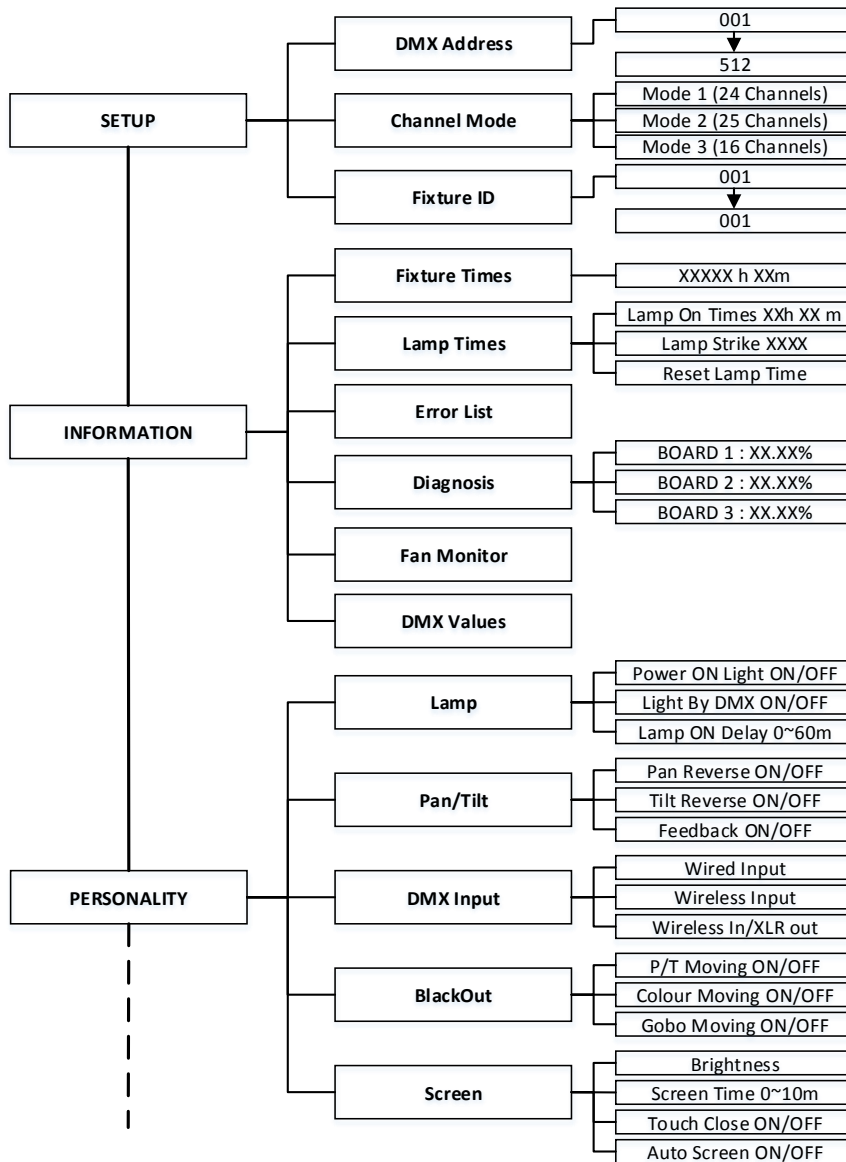
## ERROR MESSAGES

Press the -ICON: a list of error messages will appear. Please check the list of error codes at the end of the user manual.

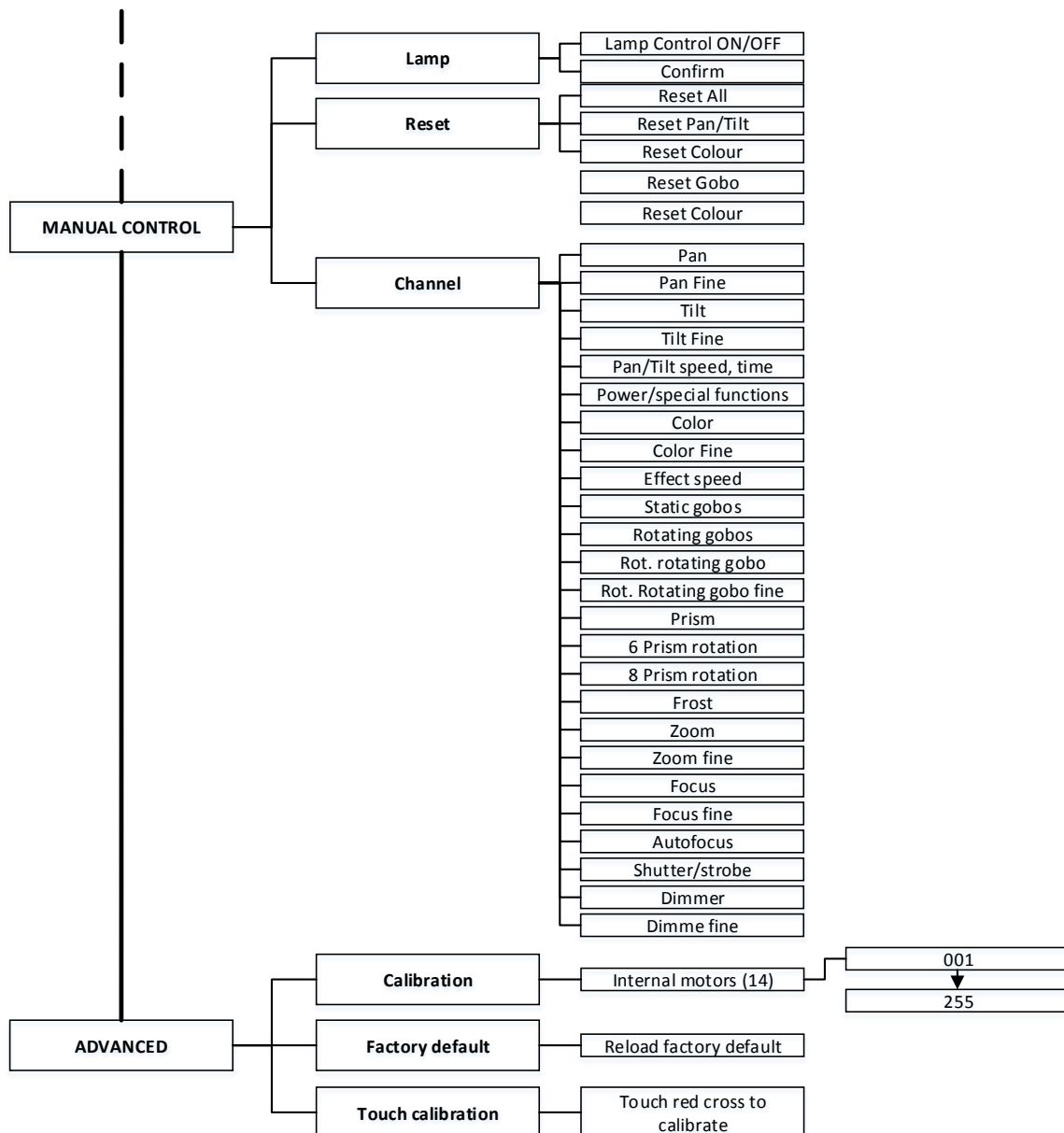
## SETTINGS MENU

Press “Settings” on the display to open the setup menu. Use the UP/DOWN, MODE and ENTER-buttons to navigate.

**MENU MAP – PART 1**



**MENU MAP – PART 2**



**SET UP DMX ADDRESS**

Set the DMX address by pressing the center of the screen at least 2 seconds (yellow progress bar appears on the screen) and DMX Address panel appears. DMX address can be modified with the slider on the touch screen or with the “+” and “-” button. The “>>” icon set the last DMX address possible according to the selected channel mode. The “<<” set the address to 1. Set the DMX address by pressing enter. The main page is now updated, and the DMX range used by the product is on the right down corner of the screen.

**SET UP CHANNEL MODE**

Set the channel mode of BriteQ BTX-TITAN:

- **Mode 1:** 24 Channels
- **Mode 2:** 25 Channels
- **Mode 3:** 17 Channels

**SET UP FIXTURE ID**

The Fixture id (ranging from 0001 to 9999) makes installation easier because each product can be identified by a unique number. With the internal battery, no need to plug the power to set or read the fixture id. To change the fixture id a password is needed: the password is “1702”.

**INFORMATION** FIXTURE TIMES

Shows the operation time (in hours) since it first start.

**INFORMATION** LAMP TIMES

**Lamp on times:** Show the total hours with lamp on since it first start  
**Lamp strikes:** Show the total count of lamp strike since it first start  
**Reset lamp time:** Reset the total hours with lamp on since it first start.  
Should be done after changing the bulb.

**INFORMATION** ERROR LIST

If an error is detected, a list of error(s) will appear here. By default, without any error: "no error".

**INFORMATION** DIAGNOSIS

Show the state of each cards. If one of the electronic card is not at 100%, contact the technical support.

**INFORMATION** FAN MONITOR

Shows the rotation speed of the fans. Speed in rotations per minute.

**INFORMATION** DMX VALUE

Shows the DMX value received by the Briteq BTX-TITAN on the DMX input. It can be used as a DMX analyzer to check the values received.

**PERSONALITY** LAMP**Power on light (on – off):**

- **On:** Turn the lamp on at power on.
- **Off:** The lamp has to be switched on using the local menu or DMX.

**Lamp on by DMX (on – off):**

- **On:** lamp can be switched on by DMX.
- **Off:** lamp cannot be switched on by DMX.

**Lamp on delay (0-60min):**

The lamp is automatically switched on 0-60min after the projector was switched on. Delayed start can be useful in permanent installation.

**PERSONALITY** PAN TILT**Pan reverse (on-off)**

- **On:** Pan works in opposite direction
- **Off:** Pan works normally

**Tilt reverse (on-off)**

- **On:** Tilt works in opposite direction
- **Off:** Tilt works normally

**Feedback (on-off)**

- **On:** pan/tilt position is automatically corrected.
- **Off:** pan/tilt position is not corrected.

**PERSONALITY** DMX INPUT

Used to set the desired input for the DMX signal:

- **Wired Input:** XLR (3 or 5pin) input is used.
- **Wireless Input:** DMX-signal comes from an external wireless transmitter (sold separately)
- **Wireless Input / XLR out:** DMX-signal comes from an external wireless transmitter (sold separately).  
The wireless DMX-signal is also available at the DMX output port (3 or 5 pins) for further daisy chaining of other equipment.

**Important Remark:** originally this projector is NOT equipped with a wireless receiver module. A wireless receiver module is optionally available.

**PERSONALITY BLACKOUT****P/T moving (on-off)**

- **On:** Blackout while pan/tilt is moving
- **Off:** No blackout while pan/tilt is moving

**Colour moving (on-off)**

- **On:** Blackout while colour changes
- **Off:** No blackout while colour changes

**Gobo moving (on-off)**

- **On:** Blackout whiles gobo changes
- **Off:** No blackout while gobo changes

**PERSONALITY SCREEN****Brightness**

Set the brightness of the screen

**Screen time**

Set a delay from 0 to 10 minutes to automatically exit the menu interface and switch the screen off.

**Touch screen (on-off)**

- **On:** The touchscreen is active
- **Off:** The touchscreen is not active, menu navigation is only possible using the buttons.

**Auto screen (on-off)**

- **On:** the screen is automatically rotated, based on the angle of the BriteQ BTX-TITAN.
- **Off:** the screenhe orientation is fixed

**MANUAL CONTROL LAMP**

**Lamp control (on-off):** Set the lamp on/off manually

**MANUAL CONTROL RESET**

**Reset All:** Reset all functions of the BriteQ BTX-TITAN

**Reset pan/tilt:** Reset pan and tilt

**Reset colour:** Reset colour wheel

**Reset gobo:** Reset gobo wheel

**Reset other:** Reset all other functions

**MANUAL CONTROL CHANNEL**

Change the value for each channel manually. This is an easy way to quickly test the machine without any DMX console.

**ADVANCED CALIBRATION**

Calibration of the 14 integrated motors. Values can be set from 001 to 255.

Calibration password is "0088".

**ADVANCED FACTORY DEFAULT**

Return to the factory default settings.

**ADVANCED TOUCH CALIBRATION**

Recalibrate the touchscreen by pressing the red cross on the screen.

## DMX CHANNEL (FULL VERSION)

The unit is equipped with 3 different DMX modes:

- **24CH-MODE:** Full functionality mode
- **25CH-MODE:** Full functionality extended mode with separate rotating speed control for both prisms.
- **17CH-MODE:** Simple mode with limited functionality

24CH	25CH	17CH	VALUE	FUNCTION		
1	1	1	000-255	PAN		
2	2		000-255	PAN FINE (Least significant bit)		
3	3	2	000-255	TILT		
4	4		000-255	TILT FINE (Least significant bit)		
5	5	3	000-255	PAN / TILT SPEED (fast to slow)		
6	6	4		<b>SPECIAL FUNCTIONS</b>		
			000 - 009	Reserved		
			<b>+ IMPORTANT +</b> To activate the following functions, the Shutter / strobe of the selected unit should be closed (0-31 DMX Value) for more than 3s in order to validate the special function			
			010 - 014	DMX input: Wired DMX*		
			015 - 019	DMX input: Wireless DMX*		
			020 - 024	Eco mode (Lamp power 230W)		
			025 - 029	Standard mode (Lamp power 280W)		
			030 - 049	Reserved		
			050 - 059	Pan/Tilt speed mode		
			060 - 069	Pan/Tilt time mode		
			070 - 079	Blackout when pan/tilt moving		
			080 - 089	Disabled blackout when pan/tilt moving		
			090 - 099	Blackout when colour wheel moving		
			100 - 109	Disabled blackout when colour wheel moving		
			110 - 119	Blackout when gobo wheel moving		
			120 - 129	Disabled blackout when gobo wheel moving		
			130 - 139	Lamp On, reset (total reset except pan/tilt reset)		
			140 - 149	Pan/Tilt reset		
			150 - 159	Colour system reset		
			160 - 169	Gobo wheels reset		
			170 - 179	Dimmer/shutter		
			180 - 189	Zoom/focus/prism reset		
			190 - 199	Reserved		
			200 - 209	Total reset		
210 - 229	Reserved					
230 - 239	Lamp Off					
240 - 255	Reserved					
7	7	5		<b>COLOR</b>		
			000 -008	Open/white		
			009 - 017	Deep red		
			018 - 026	Deep blue		
			027 - 036	Yellow		
			037 - 045	Green		
			046 - 054	Magenta		
			055 - 063	Azure		
064 - 072	Red					



			073 - 081	Dark green
			082 - 090	Amber
			091 - 100	Blue
			101 - 109	Orange
			110 - 118	CTO
			119 - 127	UV filter
			128 - 129	White
			<b>Positioning</b>	
			130 - 134	Deep red
			135 - 138	Deep blue
			139 - 143	Yellow
			144 - 147	Green
			148 - 152	Magenta
			153 - 157	Azure
			158 - 161	Red
			162 - 166	Dark green
			167 - 171	Amber
			172 - 176	Blue
			177 - 180	Orange
			181 - 185	CTO
			186 - 189	UV Filter
			190 - 215	Forwards rainbow effect from fast to slow
			216 - 217	No rotation
			218 - 243	Backwards rainbow effect from slow to fast
			244 - 249	Random colour selection by audio control
			<b>Random colour selection by audio control</b>	
			250 - 255	Auto random colour selection from fast to slow
<b>8</b>	<b>8</b>		000 - 255	<b>COLOR FINE</b>
<b>9</b>	<b>9</b>	<b>6</b>	000 - 255	<b>EFFECT SPEED</b>
			<b>Speed of Rot. Gobo selection from max. to min.</b>	
				<b>STATIC GOBO</b>
			000 - 003	Open/hole
			004 - 009	Gobo 1
			010 - 015	Gobo 2
			016 - 021	Gobo 3
			022 - 027	Gobo 4
			028 - 033	Gobo 5
			034 - 039	Gobo 6
			040 - 045	Gobo 7
			046 - 051	Gobo 8
			052 - 057	Gobo 9
			058 - 063	Gobo 10
			064 - 069	Beam reducer 1
			070 - 075	Beam reducer 2
			076 - 081	Beam reducer 3
			082 - 087	Beam reducer 4
			<b>Shaking gobos from slow to fast</b>	
			088 - 095	Gobo 1 - shaking
			096 - 103	Gobo 2 - shaking
			104 - 111	Gobo 3 - shaking
			112 - 119	Gobo 4 - shaking
			120 - 127	Gobo 5 - shaking
<b>10</b>	<b>10</b>	<b>7</b>		

			128 - 135	Gobo 6 - shaking
			136 - 143	Gobo 7 - shaking
			144 - 151	Gobo 8 - shaking
			152 - 159	Gobo 9 - shaking
			160 - 167	Gobo 10 - shaking
			168 - 175	Beam reducer 1 - shaking
			176 - 183	Beam reducer 2 - shaking
			184 - 191	Beam reducer 3 - shaking
			192 - 199	Beam reducer 4 - shaking
			200 - 201	Open/hole
			202 - 221	Forwards gobo wheel rotation from fast to slow
			222 - 223	No rotation
			224 - 243	Backwards gobo wheel rotation from slow to fast
			244 - 249	Random gobo selection by audio control
			<b>(Set microphone sensitivity in "Personality")</b>	
			250 - 255	Auto random gobo selection from fast to slow
			<b>11</b>	<b>11</b>
In the range of 000 - 059 DMX the gobo selection speed is Controlled by the effect speed channel				
Index – set indexing on channel 12/9				
000	Open/Hole (default)			
001 - 004	Hole (flat field)			
005 - 007	Gobo 1			
008 - 010	Gobo 2			
011 - 013	Gobo 3			
014 - 016	Gobo 4			
017 - 019	Gobo 5			
020 - 022	Gobo 6			
023 - 025	Gobo 7			
026 - 028	Gobo 8			
029 - 031	Gobo 9			
Rotation - set rotation on channel 12/9				
032 - 034	Gobo 1			
035 - 037	Gobo 2			
038 - 040	Gobo 3			
041 - 043	Gobo 4			
044 - 046	Gobo 5			
047 - 049	Gobo 6			
050 - 052	Gobo 7			
053 - 055	Gobo 8			
056 - 059	Gobo 9			
Shaking gobos from slow to fast				
Index - set indexing on channel 12/9				
060 - 067	Gobo 1			
068 - 075	Gobo 2			
076 - 083	Gobo 3			
084 - 091	Gobo 4			
092 - 099	Gobo 5			
100 - 107	Gobo 6			
108 - 115	Gobo 7			
116 - 123	Gobo 8			
124 - 129	Gobo 9			
Shaking gobos from slow to fast				

			<b>Rotation – set rotation on channel 12/9</b>
			130 - 137 Gobo 1
			138 - 145 Gobo 2
			146 - 153 Gobo 3
			154 - 161 Gobo 4
			162 - 169 Gobo 5
			170 - 177 Gobo 6
			178 - 185 Gobo 7
			186 - 193 Gobo 8
			194 - 199 Gobo 9
			200 - 201 Open/hole
			202 - 221 Forwards gobo wheel rotation from fast to slow
			222 - 223 No rotation
			224 - 243 Backwards gobo wheel rotation from slow to fast
			244 - 249 Random gobo selection by audio control
			<b>(Set microphone sensitivity in menu “Personality”)</b>
			250 - 255 Auto random gobo selection from fast to slow
12	12	9	<b>ROTATING GOBO ROTATION</b>
			<b>Gobo indexing – set position on channel 11/8</b>
			000 - 255 Gobo indexing
			<b>Gobo rotation – set position on channel 11/8</b>
			000 No rotation
			001 - 127 Forwards gobo rotation from fast to slow
128 - 129 No rotation			
130 - 255 Backwards gobo rotation from slow to fast			
13	13		<b>ROTATING GOBO ROTATION FINE</b>
		000 - 255 Fine indexing (rotation)	
14	14	10	<b>PRISM</b>
			000 - 019 Open
			020 - 039 6-facet linear rotating prism indexing
			040 - 049 6-facet linear rotating prism rotation
			050 - 059 8-facet circular rotating prism indexing
			060 - 069 8-facet circular rotating prism rotation
			070 - 079 6-facet and 8-facet rotating prism indexing
			080 - 089 6-facet and 8-facet rotating prism rotation
			090 - 108 6-facet linear rotating prism indexing 8-facet circular rotating prism rotation
			109 - 127 6-facet linear rotating prism rotation 8-facet circular rotating prism indexing
			128 - 135 Macro 1
			136 - 143 Macro 2
			144 - 151 Macro 3
			152 - 159 Macro 4
			160 - 167 Macro 5
			168 - 175 Macro 6
			176 - 183 Macro 7
			184 - 191 Macro 8
192 - 199 Macro 9			
200 - 207 Macro 10			
208 - 215 Macro 11			
216 - 223 Macro 12			
224 - 231 Macro 13			

			232 - 239	Macro 14
			240 - 247	Macro 15
			248 - 255	Macro 16
15	11	<b>6 FACET LINEAR PRISM ROTATION</b>		
		<b>Prism indexing</b>		
		000 - 255	Prism indexing	
		<b>Prism rotation</b>		
		000	No rotation	
		001 - 127	Forwards prism rotation from fast to slow	
		128 - 129	No rotation	
130 - 255	Backwards prism rotation from slow to fast			
16	12	<b>8 FACET CIRCULAR PRISM ROTATION</b>		
		<b>Prism indexing</b>		
		000 - 255	Prism indexing	
		<b>Prism rotation</b>		
		000	No rotation	
		001 - 127	Forwards prism rotation from fast to slow	
		128 - 129	No rotation	
130 - 255	Backwards prism rotation from slow to fast			
15		<b>PRISM ROTATION</b>		
		<b>Prism indexing – set position on channel 14/10</b>		
		000 - 255	Prism indexing	
		<b>Prism rotation – set position on channel 14/10</b>		
		000	No rotation	
		001 - 127	Forwards prism rotation from fast to slow	
		128 - 129	No rotation	
130 - 255	Backwards prism rotation from slow to fast			
16	17	13	000 - 255	<b>FROST</b>
			<b>Frost from 0% to 100%</b>	
17	18	14	000 - 255	<b>ZOOM</b>
			<b>Zoom from max. to min. angle</b>	
18	19		000 - 255	<b>ZOOM FINE</b>
			<b>Fine zooming</b>	
19	20	15	000 - 255	<b>FOCUS</b>
			<b>Focus adjustment from far to near</b>	
20	21		000 - 255	<b>FOCUS FINE</b>
			<b>Fine focusing</b>	
21	22	<b>AUTOFOCUS</b>		
		<b>Select desired distance and effect on which you need to focus and use “Focus” channel to focus the image</b>		
		000	Autofocus off	
		<b>Rotating gobos &amp; hole</b>		
		001 - 007	10 metres	
		008 - 015	15 metres	
		016 - 023	20 metres	
		024 - 031	25 metres	
		032 - 039	30 metres	
		040 - 047	35 metres	
		048 - 055	40 metres	
		056 - 063	45 metres	
		<b>Static gobos &amp; hole</b>		
		064 - 071	10 metres	
		072 - 079	15 metres	

			080 - 087	20 metres
			088 - 095	25 metres
			096 - 103	30 metres
			104 - 111	35 metres
			112 - 119	40 metres
			120 - 126	45 metres
			127	Infinity
			128 - 255	Reserved
22	23	16	<b>SHUTTER / STROBE</b>	
			000 - 031	Shutter closed (Lamp power reduced to 230W)
			032 - 063	Shutter open, full lamp power
			064 - 095	Strobe-effect from slow to fast
			096 - 127	Shutter open
			128 - 143	Opening pulse in sequences from slow to fast
			144 - 159	Closing pulse in sequences from fast to slow
			160 - 191	Shutter open
			192 - 223	Random strobe-effect from slow to fast
224 - 255	Shutter open, full lamp power			
23	24	17	000 - 255	<b>DIMMER</b>
			Dimmer intensity from 0% to 100%	
24	25		000 - 255	<b>DIMMER FINE</b>
		Fine dimming		

### DMX CHANNEL (SHORT VERSION)

24CH	25CH	17CH	FUNCTION
1	1	1	PAN
2	2		PAN FINE (Least significant bit)
3	3	2	TILT
4	4		TILT FINE (Least significant bit)
5	5	3	PAN / TILT SPEED (fast to slow)
6	6	4	SPECIAL FUNCTIONS
7	7	5	COLOR
8	8		COLOR FINE
9	9	6	EFFECT SPEED
10	10	7	STATIC GOBO
11	11	8	ROTATING GOBO
12	12	9	ROTATING GOBO ROTATION
13	13		ROTATING GOBO ROTATION FINE
14	14	10	PRISM
	15	11	6 FACET LINEAR PRISM ROTATION
	16	12	8 FACET CIRCULAR PRISM ROTATION
15			PRISM ROTATION
16	17	13	FROST
17	18	14	ZOOM
18	19		ZOOM FINE
19	20	15	FOCUS
20	21		FOCUS FINE
21	22		AUTOFOCUS
22	23	16	SHUTTER / STROBE
23	24	17	DIMMER
24	25		DIMMER FINE

## MAINTENANCE

- Make sure the area below the installation place is free from unwanted persons during servicing.
  - Switch off the unit, unplug the mains cable and wait until the unit has been cooled down.
- During inspection the following points should be checked:**
- All screws used for installing the device and any of its parts should be tightly fastened and may not be corroded.
  - Housings, fixations and installations spots (ceiling, truss, suspensions) should be totally free from any deformation.
  - When an optical lens is visibly damaged due to cracks or deep scratches, it must be replaced.
  - The mains cables must be in impeccable condition and should be replaced immediately when even a small problem is detected.
  - In order to protect the device from overheat the cooling fans (if any) and ventilation openings should be cleaned monthly.
  - The interior of the device should be cleaned annually using a vacuum cleaner or air-jet.
  - The cleaning of internal and external optical lenses and/or mirrors must be carried out periodically to optimize light output. Cleaning frequency depends on the environment in which the fixture operates: damp, smoky or particularly dirty surroundings can cause greater accumulation of dirt on the unit's optics.
    - Clean with a soft cloth using normal glass cleaning products.
    - Always dry the parts carefully.
    - Clean the external optics at least once every 30 days.
    - Clean the internal optics at least every 90 days.

**Attention: We strongly recommend internal cleaning to be carried out by qualified personnel!**

## SPECIFICATIONS

This unit is radio-interference suppressed. This product meets the requirements of the current European and national guidelines. Conformity has been established and the relevant statements and documents have been deposited by the manufacturer. This device was designed to produce decorative effect lighting and is used in light show systems.

<b>Mains Input:</b>	AC 100~240V, 50/60Hz
<b>Power consumption:</b>	400Watt
<b>Fuse:</b>	250V 6,3A fuse
<b>Sound Control:</b>	none
<b>DMX connections:</b>	3pin & 5pin XLR IN/OUT
<b>Movement:</b>	Pan: 540° Tilt: 270° (+ Pan/Tilt lock for transport protection)
<b>Dimmer/Shutter:</b>	Mechanical dimmer
<b>Color wheel:</b>	1 open + 13 fixed colors (see addendum)
<b>Fixed gobo wheel:</b>	1 open + 14 fixed gobos (see addendum)
<b>Rotating gobo wheel:</b>	1 open + 9 rotating gobos (see addendum)
<b>Effect:</b>	8 facets circular and 6 facets linear rotating prisms & frost
<b>Beam angle:</b>	2.7° > 11°
<b>Focus:</b>	Electronic (16 bits)
<b>DMX channels used:</b>	17-24-25 Channels
<b>Lamp:</b>	Osram Sirius HRI 280W E20.6
<b>Size:</b>	391 x 287 x 583 mm (see addendum)
<b>Weight:</b>	15 kg

**Every information is subject to change without prior notice**

**You can download the latest version of this user manual on our website: [www.briteq-lighting.com](http://www.briteq-lighting.com)**

# GUIDE D'UTILISATION

Nous vous remercions d'avoir acheté ce produit Briteq®. Pour tirer pleinement profit de toutes les possibilités du produit et pour votre propre sécurité, lisez ces instructions très attentivement avant d'utiliser cet appareil.

## CARACTÉRISTIQUES

- Ce projecteur recueille des effets BEAM + SPOT + WASH : parfait pour les entreprises de location !
- La lampe OSRAM SIRIUS HRI 280 (7800 K), combinée avec des optiques Hi-Q, crée des faisceaux incroyablement lumineux :
  - BEAM : de 2,7° à 11° : 82 650 lux à 20 m
  - SPOT : de 5° à 23° : 25400 lux à 10 m
- Les roues d'effets permettent de créer différents effets éblouissants :
  - 1 roue de 13 couleurs sélectionnés avec soin, y compris des filtres de correction de couleur CTO et CTB + blanc
  - 1 roue de gobo avec 14 gobos fixes + ouverture
  - 1 roue de gobo avec 9 gobos tournants remplaçables (verre + métal, diamètre extérieur : 15,8 mm / zone d'image : 12,5 mm)
  - **Les prismes à 8 facettes + linéaire à 6 facettes disposent de réglages de vitesse de rotation séparés qui, mélangés, créent de spectaculaires effets !**
  - Effet FROST (effet WASH)
  - ZOOM + MISE AU POINT (focus) motorisés avec des valeurs DMX calibrées
  - Obturateur/gradateur précis pour des variations linéaires et des effets stroboscopiques changeants
- Les moteurs pas à pas triphasés de la marque MOONS' garantissent des mouvements très rapides de panoramique/inclinaison 540°/270° avec une précision sur 8 bits ou 16 bits.
- Construction modulaire pour un entretien et un nettoyage aisé.
- Module DMX sans fil disponible en option (W-DMX from Sweden)
- Écran tactile couleur 2,8" avec rotation automatique de l'affichage pour une navigation simple et intuitive dans les menus
- 3 modes de canaux DMX différents (17, 24 et 25 canaux) pour une flexibilité maximale
- Les mises à jour faciles du micrologiciel permettent de maintenir votre appareil à jour en permanence (un module de mise à jour optionnel est nécessaire)
- Commande allumer/éteindre la lampe à distance
- Entrées/sorties XLR® Neutrik 3 et 5 broches pour un maximum de flexibilité dans un environnement professionnel
- Entrées/sorties Neutrik PowerCON® : des appareils jusqu'à 16 A peuvent être connectées en série.
- Équipé de supports Omega pour une installation rapide.
- Consommation électrique : seulement 400 W

## AVANT UTILISATION

- Avant d'utiliser cet appareil, vérifiez s'il n'a pas été endommagé durant le transport. En cas de dommages, n'utilisez pas l'appareil et consultez immédiatement votre revendeur.
- **Important** : Cet appareil est expédié de notre usine en parfait état et bien emballé. Il est absolument nécessaire que l'utilisateur suive strictement les instructions et les avertissements de sécurité se trouvant dans ce manuel. Tout dommage dû à une mauvaise manipulation n'est pas garanti. Le revendeur n'accepte aucune responsabilité pour tous les défauts et problèmes dus au non-respect de ce manuel.
- Conservez ce manuel dans un endroit sûr pour toute consultation future. Si vous vendez l'appareil, assurez-vous de joindre ce manuel.

### Vérifiez le contenu :

Vérifiez que le carton contient les éléments suivants :

- BTX-TITAN
- 2 attaches « Omega »
- Câble PowerCon®
- Câble de sécurité
- Instructions d'utilisation

## CONSIGNES DE SÉCURITÉ



**ATTENTION :** Pour réduire le risque de choc électrique, ne retirez pas le panneau supérieur. L'appareil ne contient aucun composant réparable par l'utilisateur. Confiez toute réparation à un personnel qualifié uniquement.



Le symbole de l'éclair à l'intérieur d'un triangle équilatéral est destiné à alerter l'utilisateur de la présence de « tensions dangereuses » non isolées à l'intérieur de l'appareil, d'une magnitude pouvant constituer un risque d'électrocution.



Le symbole du point d'exclamation dans un triangle équilatéral sert à avertir l'utilisateur que d'importants conseils d'utilisation et de maintenance sont fournis dans la documentation accompagnant l'appareil.



Ce symbole signifie : pour un usage intérieur uniquement



Ce symbole signifie : lisez les instructions



Ce symbole définit : la distance minimale requise avec les objets éclairés. La distance minimale entre la sortie de lumière et la surface éclairée doit être supérieure à 12 mètres



Cet appareil n'est pas adapté pour un montage direct sur des surfaces normalement inflammables. (ne convient que pour le montage sur surfaces non combustibles)

- Pour protéger l'environnement, essayez de recycler autant que possible les matériaux d'emballage.
- Un jeu de lumière neuf provoque parfois une certaine fumée et/ou odeur indésirables. Ceci est normal et disparaît après quelques minutes.
- Pour éviter tout incendie ou électrocution, n'exposez pas cet appareil à la pluie ou à l'humidité.
- Pour éviter une formation de condensation interne, laissez l'appareil s'adapter à la température ambiante quand vous le mettez dans une pièce chaude après le transport. La condensation empêche parfois l'appareil de fonctionner à plein rendement ou peut même causer des dommages.
- Cet appareil est destiné à un usage intérieur seulement.
- Ne placez pas d'objets métalliques et ne renversez pas de liquides à l'intérieur de l'appareil. Un choc électrique ou un dysfonctionnement peut en résulter. Si un corps étranger pénètre dans l'appareil, débranchez immédiatement le cordon d'alimentation de la prise secteur.
- Placez l'appareil dans un endroit bien aéré, loin de tout matériau et/ou liquide inflammable. L'appareil doit être fixé à au moins 50 cm des murs environnants.
- Ne couvrez pas les ouvertures de ventilation, cela pourrait entraîner une surchauffe.
- Évitez une utilisation dans des environnements poussiéreux et nettoyez l'appareil régulièrement.
- Gardez l'appareil loin de la portée des enfants.
- Les personnes inexpérimentées ne doivent pas utiliser cet appareil.
- La température ambiante de fonctionnement maximale est de 40 °C. N'utilisez pas cet appareil à des températures ambiantes plus élevées.
- La température de surface des unités peut atteindre jusqu'à 85 °C. Ne touchez pas le boîtier avec les mains nues pendant son fonctionnement.
- Assurez-vous qu'aucune personne étrangère ne se trouve dans la zone en dessous de l'emplacement d'installation durant le montage, le démontage et l'entretien.
- Laissez l'appareil refroidir pendant environ 10 minutes avant de remplacer la lampe ou effectuer l'entretien.
- Débranchez toujours l'appareil lorsqu'il ne va pas être utilisé pendant une longue période ou avant de remplacer la lampe ou avant de faire son entretien.
- L'installation électrique doit être effectuée par du personnel qualifié, conformément à la réglementation en matière de sécurité électrique et mécanique dans votre pays.
- Vérifiez que votre tension n'est pas supérieure à celle indiquée sur le panneau arrière de l'appareil.
- Le cordon d'alimentation doit toujours être en parfait état. Éteignez immédiatement l'appareil dès que le cordon d'alimentation est écrasé ou endommagé. Il doit être remplacé par le fabricant, son agent de service ou une personne de même qualification afin d'éviter tout danger.
- Ne laissez jamais le cordon d'alimentation entrer en contact avec d'autres câbles !
- Ce luminaire doit être mis à la terre pour être conforme à la réglementation en matière de sécurité.
- Ne connectez pas l'appareil à un variateur de lumière.
- Utilisez toujours un câble de sécurité approprié et certifié lors de l'installation de l'appareil.
- Afin d'éviter un choc électrique, n'ouvrez aucun panneau. À part la lampe et le fusible, il n'y a aucune pièce réparable par l'utilisateur.



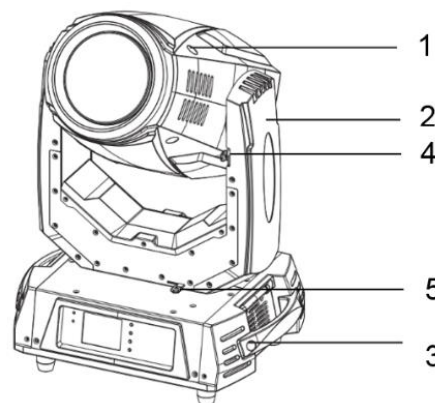
- Ne réparez jamais un fusible et ne court-circuitez jamais le porte-fusible. Remplacez toujours un fusible endommagé par un fusible du même type ayant les mêmes spécifications électriques !
- En cas de sérieux problèmes de fonctionnement, cessez d'utiliser l'appareil et contactez immédiatement votre revendeur.
- Le boîtier et les lentilles optiques doivent être remplacés s'ils sont visiblement endommagés.
- Utilisez l'emballage d'origine pour transporter l'appareil.
- Pour des raisons de sécurité, il est interdit d'apporter des modifications non autorisées à l'appareil.

**Important :** Ne regardez jamais directement la source de lumière ! N'utilisez pas le jeu de lumière en présence de personnes souffrant d'épilepsie.

## DESCRIPTION :

### APPAREIL :

1. Tête
2. Bras
3. Socle
4. Poignée de bras d'inclinaison autobloquante
5. Poignée de panoramique autobloquante

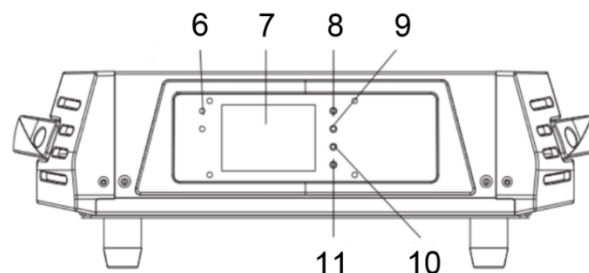


### ATTENTION : La tête et le bras doivent être déverrouillés avant utilisation !

- Le mécanisme d'inclinaison se verrouille et se déverrouille tous les 45°
- Le mécanisme de panoramique se verrouille et se déverrouille tous les 45°

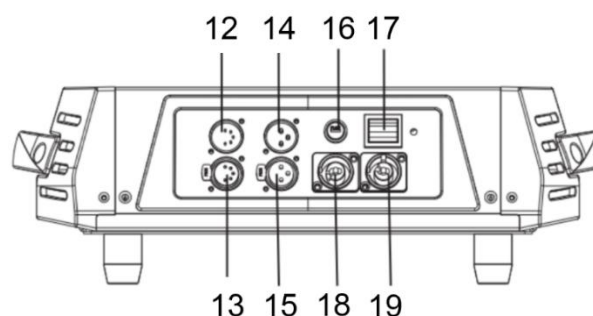
### PANNEAU DE COMMANDE :

6. Témoin LED DMX sans fil
7. Écran LCD tactile
8. Touche MODE
9. Touche HAUT
10. Touche BAS
11. Touche ENTRÉE



### PANNEAU ARRIÈRE :

12. Sortie XLR 5 broches DMX
13. Entrée XLR 5 broches DMX
14. Sortie XLR 3 broches DMX
15. Entrée XLR 3 broches DMX
16. Fusible secteur
17. Interrupteur d'alimentation
18. Entrée PowerCon®
19. Sortie PowerCon®



**Astuce :** Veuillez consulter notre site Web pour les assemblages de câbles spéciaux qui offrent une alimentation (3 x 1,5 mm<sup>2</sup> avec Neutrik PowerCON®) et un signal symétrique (XLR 3 broches) dans un seul câble. Différentes longueurs sont disponibles : 1,3 m, 3 m, 5 m et 10 m, très pratiques !

## REEMPLACEMENT DE LA LAMPE



En cas de remplacement ou d'entretien de la lampe, n'ouvrez pas l'appareil dans les 10 minutes suivant son arrêt, patientez jusqu'à ce qu'il refroidisse. Débranchez toujours l'appareil avant l'entretien ! Utilisez toujours le même type de pièces de rechange (lampes, fusibles, etc.). N'utilisez que des pièces de rechange d'origine.

En raison de sa pression interne élevée, un risque d'explosion de lampe à décharge est possible pendant son fonctionnement. La lampe est susceptible d'émettre des rayonnements ultraviolets intenses qui peuvent se révéler dangereux pour les yeux et la peau. La forte luminosité de l'arc électrique peut endommager gravement la rétine si vous êtes trop près de la lampe.

Pour la préserver, éteignez toujours en premier la lampe (par le panneau de commande ou le contrôleur DMX) et laissez-la refroidir au moins cinq minutes avant de couper l'alimentation secteur. Ne manipulez pas la lampe ou le luminaire quand il est chaud.

Portez des gants, ne touchez pas l'ampoule mains nues. Le cas échéant, nettoyez la lampe avec de l'alcool dénaturé et essuyez-la avec un chiffon non pelucheux avant son installation.

Lorsqu'elle s'allume, la lampe fonctionne à une pression élevée et un risque de rupture du tube due à l'arc est possible. Le risque devient plus élevé avec l'âge, la température ou une manipulation incorrecte de la lampe.

N'utilisez pas la lampe au-delà de sa vie utile.

Vérifiez que la lampe est centrée dans le réflecteur pour une meilleure projection.

- Éteignez l'appareil et débranchez le câble d'alimentation.
- Patientez environ 10 minutes, le temps que l'appareil refroidisse.
- Utilisez un tournevis pour dévisser les vis (A-B-C) pour ouvrir le capot arrière du luminaire. (Figure 1)

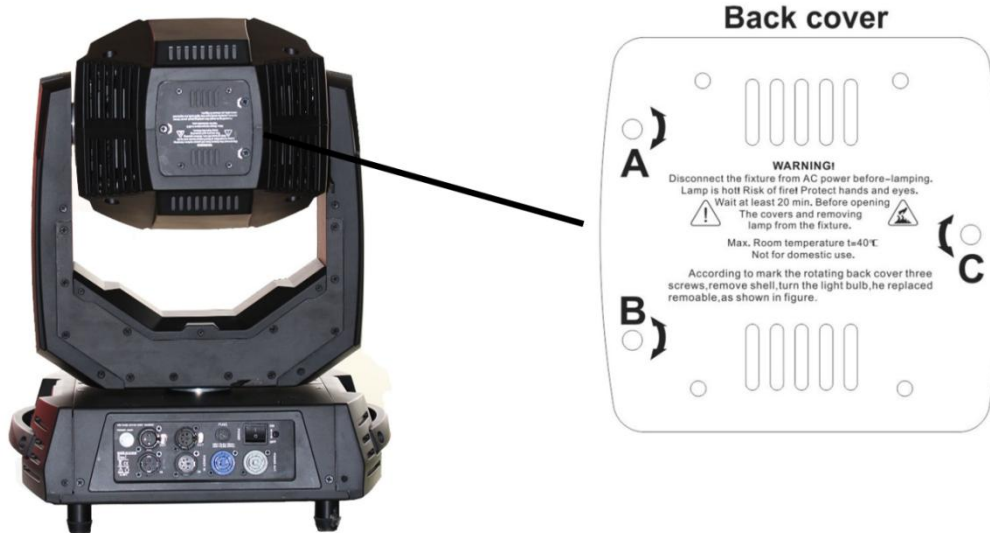


Figure 1 : Capot arrière

Vous trouverez à l'intérieur la lampe OSRAM « Sirius HRI 280 W E20.6 » (Figure 2)

**Attention :** portez des gants, ne touchez pas l'ampoule mains nues. Le cas échéant, nettoyez la lampe avec de l'alcool dénaturé et essuyez-la avec un chiffon non pelucheux avant son installation. Respectez ces instructions pour ne pas réduire la durée de vie de la nouvelle lampe !



Figure 2 : OSRAM Sirius HRI 280 W

- Retirez en douceur les fils des bornes de la lampe (Figure 3)

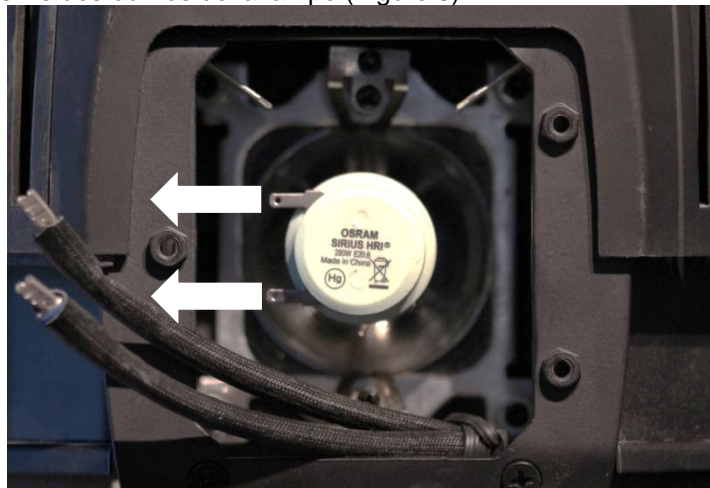


Figure 3 : Retrait des fils

- Il n'est pas nécessaire de dévisser les vis pour retirer la lampe, déplacez simplement et DOUCEMENT les deux parties métalliques qui maintiennent la lampe en place. Tenez la lampe par sa douille pendant cette opération (Figure 4)

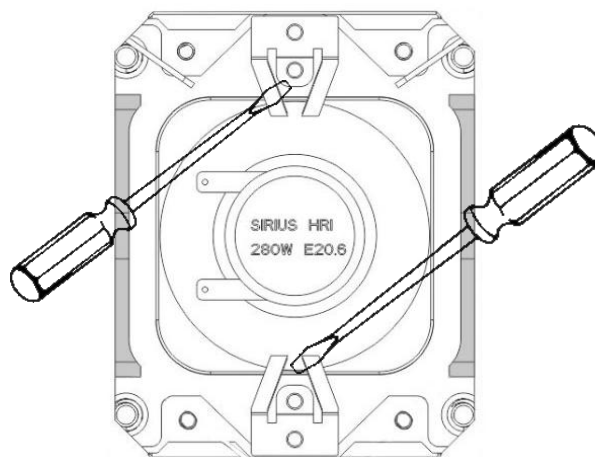


Figure 4 : Déplacez DOUCEMENT les attaches métalliques de la lampe

- Retirez la lampe de la tête du BTX-TITAN (Figure 5)

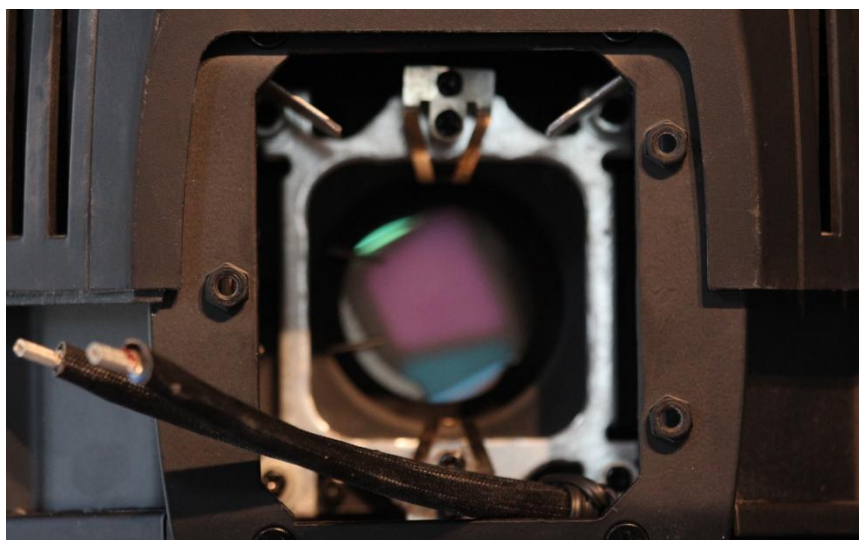
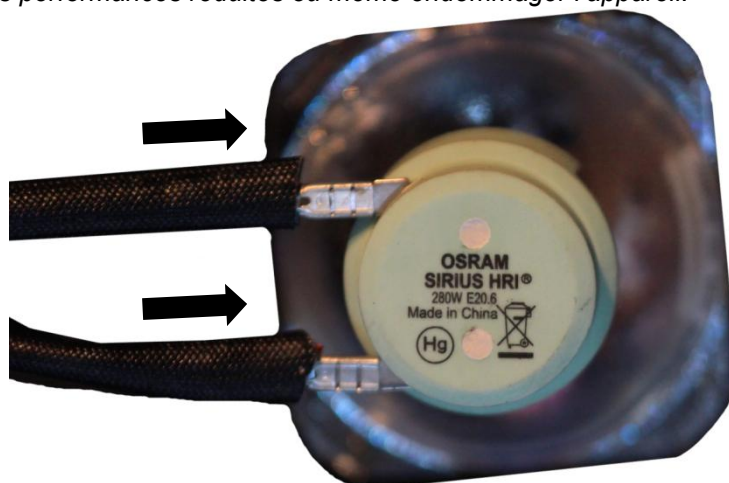


Figure 5 : Lampe retirée de la tête du BTX-TITAN

- Connectez les fils à la nouvelle lampe « OSRAM Sirius HRI 280 W E20.6 »  
**Important :** Utilisez **EXCLUSIVEMENT** une lampe « Philips MSD Platinum 2R », d'autres lampes pourraient avoir des performances réduites ou même endommager l'appareil.



- Placez la nouvelle lampe dans le support en appuyant jusqu'à ce que les deux attaches métalliques retiennent fermement la lampe.
- Ré-allumez l'appareil et utilisez un contrôleur DMX pour diriger le faisceau ouvert sur un mur.  
**Attention :** évitez de regarder directement le faisceau lumineux émis par la lampe à l'intérieur de l'appareil, les rayons UV de la lampe sont dangereux pour vos yeux. (La lumière du faisceau passe d'abord au travers d'un filtre UV)
- Vous verrez un point chaud dans le faisceau projeté sur le mur. Réglez ce point chaud à l'aide de la vis indiquée dans la figure 6. Le point chaud doit être le plus possible au centre du faisceau.

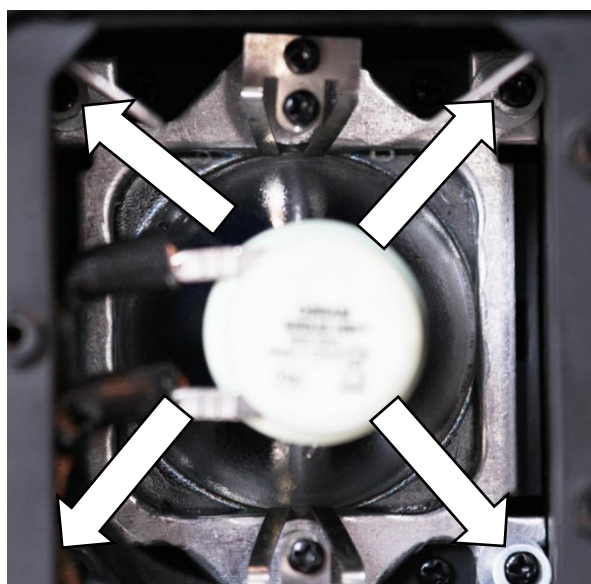


Figure 6 : vis de correction du point chaud

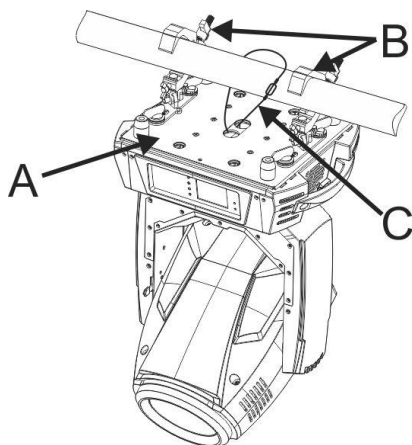
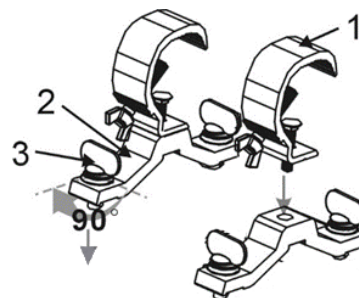
- Refermez le couvercle
- Terminé

## SUSPENDRE L'APPAREIL

- **Important :** L'installation ne doit être effectuée que par un personnel qualifié. Une mauvaise installation peut entraîner des blessures et/ou dommages graves. La suspension de l'appareil exige une grande expérience ! Les limites de charge de fonctionnement doivent être respectées, des matériels d'installation certifiés doivent être utilisés, l'appareil installé doit être inspecté régulièrement pour vérifier les conditions de sécurité.
- Assurez-vous qu'aucune personne étrangère ne se trouve dans la zone en dessous de l'emplacement d'installation durant le montage, le démontage et l'entretien.
- Fixez l'appareil dans un endroit bien aéré, loin de tout matériau et/ou liquide inflammable. L'appareil doit être fixé à **au moins 50 cm** des murs environnants.
- L'appareil doit être installé hors de portée des personnes, loin des passages et des endroits où des personnes peuvent aller et venir, ou s'asseoir.
- Avant de lever l'appareil, assurez-vous que le point de suspension peut supporter une charge d'au moins 10 fois le poids de l'appareil.
- Lors de l'installation, utilisez toujours un câble de sécurité certifié qui peut supporter 12 fois le poids de l'appareil. Ce support de suspension de sécurité secondaire doit être installé de manière à ce qu'aucune partie de l'installation ne puisse tomber de plus de 20 cm si le support principal lâche.
- L'appareil doit être bien fixé, un montage balançant est dangereux et ne doit pas être envisagé !
- Ne couvrez pas les ouvertures de ventilation, cela pourrait entraîner une surchauffe.
- L'opérateur doit s'assurer que la sécurité relative à l'installation et les conditions techniques sont approuvées par un expert avant d'utiliser l'appareil pour la première fois. Les installations doivent être inspectées chaque année par une personne qualifiée pour être sûr que la sécurité est toujours optimale.

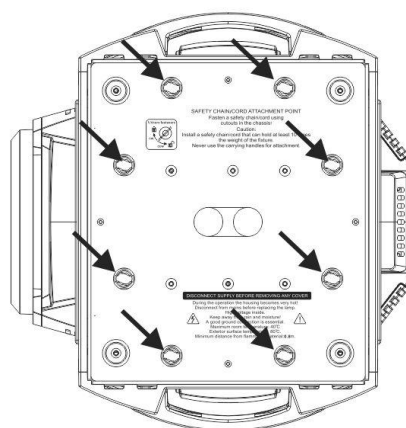
### Installation :

- Fixez les crochets en treillis (1) aux pinces oméga avec vis et écrou de blocage.
- Fixez les pinces oméga (2) en bas de la base par en insérant les attaches instantanés (3) dans les trous de la base et serrez à fond dans le sens horaire.



- A = Plaque de fixation  
 B = Attaches rapides  
 C = Filin de sécurité/chaîne de sécurité

### TROUS DU SUPPORT OMÉGA



## INSTALLATION ÉLECTRIQUE + ADRESSAGE

**⚠ Important :** L'installation électrique doit être effectuée par du personnel qualifié, conformément à la réglementation en matière de sécurité électrique et mécanique dans votre pays.

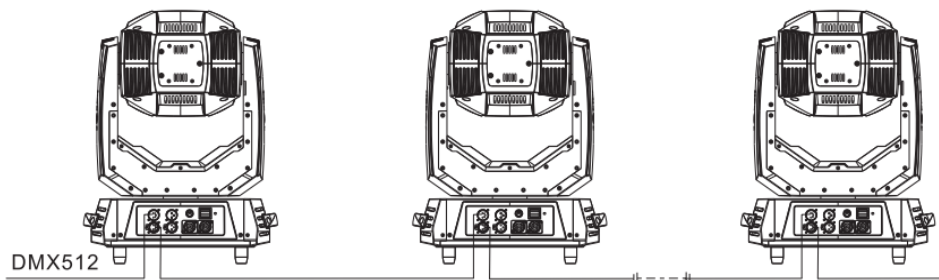
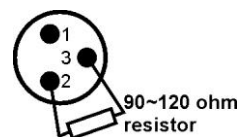
### Installation électrique de deux ou plusieurs unités en mode DMX :

- Le protocole DMX est largement utilisé pour contrôler des équipements lumineux multifonctions au moyen d'un signal à haute vitesse. Vous devez mettre en chaîne votre contrôleur DMX avec toutes les unités connectées par un câble symétrique de bonne qualité.
- Les deux connecteurs XLR 3 broches et XLR 5 broches sont utilisés, cependant le XLR 3 broches est plus utilisé parce que ces câbles sont compatibles avec les câbles audio symétriques.

**Disposition du XLR à 3 broches :** Broche 1 = TERRE ~ Broche 2 = signal négatif (-) ~ Broche 3 = signal positif (+)

**Disposition du XLR à 5 broches :** Broche 1 = terre ~ Broche 2 = signal négatif (-) ~ Broche 3 = signal positif (+) ~ Broche 4+5 non utilisées.

- Pour éviter tout comportement anormal des unités DMX, à cause des interférences, vous devez utiliser un terminateur de  $90\ \Omega$  à  $120\ \Omega$  à la fin de la chaîne. N'utilisez jamais de séparateurs de câbles en Y, cela ne fonctionne pas !
- Assurez-vous que toutes les unités sont branchées au secteur.
- Chaque unité dans la chaîne doit avoir sa propre adresse de début afin qu'elle sache quelles sont les commandes du contrôleur à décoder. Dans la section suivante, vous allez apprendre comment définir les adresses DMX.



## INSTRUCTIONS D'UTILISATION

- N'allumez pas et n'éteignez pas l'appareil pendant des courts intervalles de temps ; cela réduit la durée de vie de la lampe.
- Débranchez toujours l'unité lorsqu'elle ne va pas être utilisée pendant une longue période, avant de remplacer la lampe ou avant de faire un entretien.
- En cas de sérieux problèmes de fonctionnement, cessez d'utiliser l'appareil et contactez immédiatement votre revendeur.
- Important :** Ne regardez jamais directement la source de lumière ! N'utilisez pas le jeu de lumière en présence de personnes souffrant d'épilepsie.

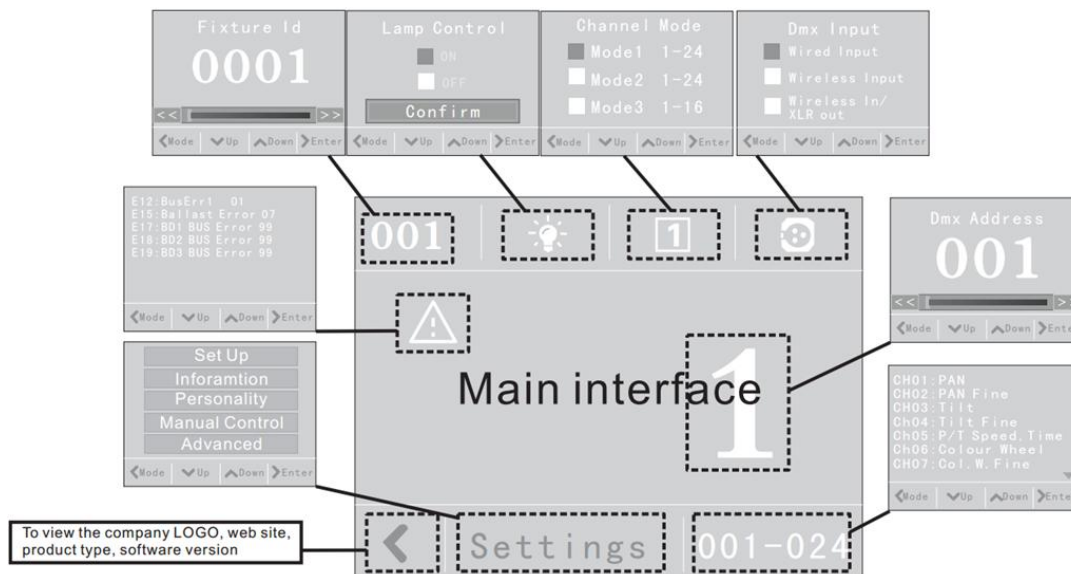
### MENU

Vous pouvez utiliser les touches ou l'écran tactile pour parcourir le menu des réglages composé de différents sous-menus. Le réglage de l'adresse DMX, des différentes fonctions, etc. est très simple.

- Utilisez les touches HAUT/BAS pour parcourir le menu et modifier les valeurs des fonctions sélectionnées.
- Chaque fois que vous sélectionnez un menu ou réglez une valeur, vous devez appuyer sur la touche ENTRÉE pour confirmer.
- Appuyez sur la touche MENU pour quitter le menu des réglages.

## ÉCRAN TACTILE - DISPOSITION DE L'INTERFACE PRINCIPAL :

Quand vous allumez l'appareil, l'écran affiche le logo Briteq, suivi de l'interface principale comme illustré ci-dessous. L'interface principale est divisée en plusieurs parties (icônes). Ces icônes sont en fait des raccourcis qui permettent d'accéder aux différents éléments du menu des réglages (voir le schéma).



## IDENTIFIANT DE L'APPAREIL

L'identifiant de l'appareil (allant de 0001 à 9999) simplifie son installation parce que chaque produit sera identifié par un numéro unique. Grâce à la batterie interne, il n'est pas nécessaire d'allumer l'appareil pour régler ou lire l'identifiant d'appareil.

Pour modifier l'identifiant de l'appareil, un mot de passe est nécessaire : la valeur par défaut est « 1702 ».

## COMMANDE DE LAMPE


Pour allumer ou éteindre la lampe


## MODE CANAL

Pour régler le mode canal du Briteq BTX-TITAN :

- **Mode 1** : 24 canaux
- **Mode 2** : 25 canaux
- **Mode 3** : 17 canaux

## ENTRÉE DMX

 est vert : le signal DMX reçu est OK.

 est rouge et l'écran LCD clignote : le signal DMX reçu n'est pas OK ou AUCUN signal DMX n'est reçu.

Utilisé pour régler l'entrée souhaitée pour le signal DMX :

- **Entrée filaire** : l'entrée XLR (3 ou 5 broches) est utilisée.
- **Entrée sans fil** : le signal DMX est issu d'un transmetteur sans fil externe (vendu séparément)
- **Entrée sans fil/sortie XLR** : le signal DMX est issu d'un transmetteur sans fil externe (vendu séparément). Le signal sans fil DMX est également disponible au niveau du port de sortie DMX (3 ou 5 broches) pour mettre en série un autre équipement.

**Remarque importante** : ce projecteur n'est PAS équipé d'origine d'un module de réception sans fil. Un module de réception sans fil est disponible en option.

## ADRESSE DMX


Pour régler l'adresse DMX, appuyez au milieu de l'écran pendant au moins 2 secondes (une barre de progression apparaît sur l'écran) et le volet de l'adresse DMX apparaît. L'adresse DMX se règle avec le curseur sur l'écran tactile ou avec les touches « + » et « - ». L'icône « >> » définit la dernière adresse DMX valide, selon le mode canal sélectionné. L'icône « << » définit l'adresse à 1. Confirmez l'adresse DMX en

appuyant sur ENTRÉE. La page principale est désormais actualisée et la plage DMX utilisée par le produit s'affiche dans le coin inférieur droit de l'écran.

**LISTE DES CANAUX**

En appuyant sur la plage d'adresse DMX xxx-xxx de l'écran principal, le tableau DMX s'affiche en fonction du mode canal sélectionné.

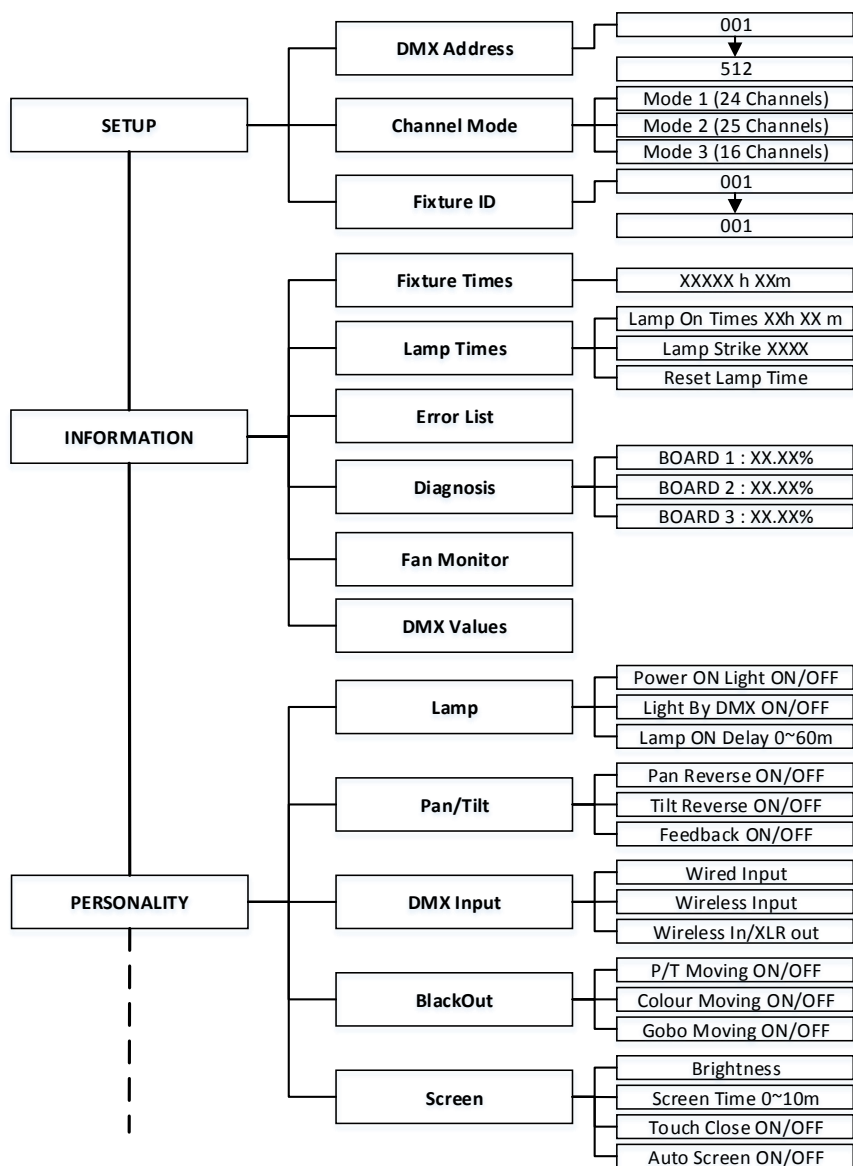
**MESSAGES D'ERREUR** 

Appuyez sur l'icône  : une liste des messages d'erreur s'affichera. Veuillez vérifier la liste des codes d'erreur à la fin de ce guide d'utilisation.

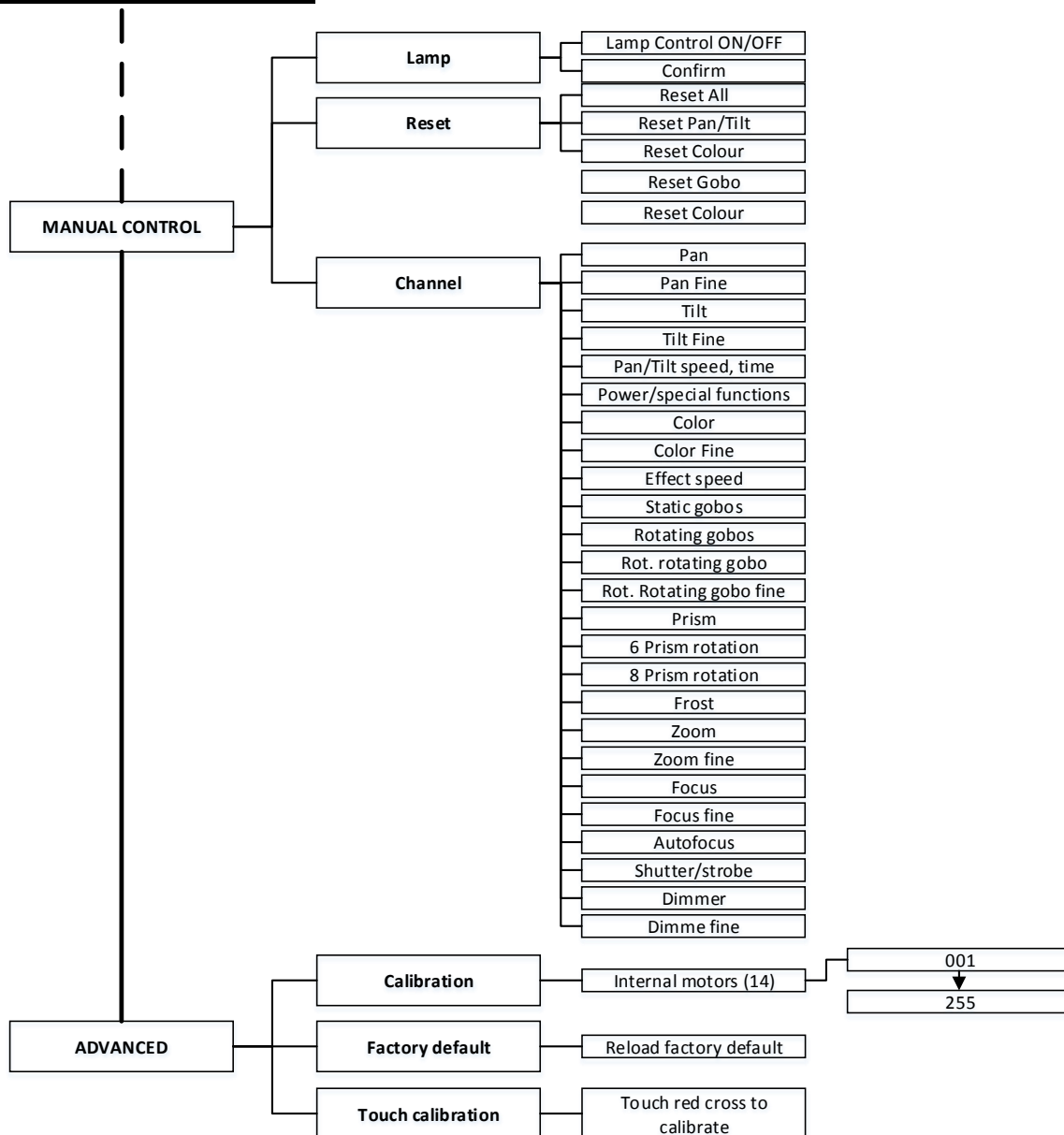
**MENU DES RÉGLAGES**

Appuyez sur « Réglages » sur l'écran pour accéder au menu des réglages. Utilisez les touches HAUT/BAS, MODE ET ENTRÉE pour la navigation.

**CARTE DES MENUS : PARTIE 1**





**CARTE DES MENUS : PARTIE 2****RÉGLAGE ADRESSE DMX**

Pour régler l'adresse DMX, appuyez au milieu de l'écran pendant au moins 2 secondes (une barre de progression apparaît sur l'écran) et le volet de l'adresse DMX apparaît. L'adresse DMX se règle avec le curseur sur l'écran tactile ou avec les touches « + » et « - ». L'icône « >> » définit la dernière adresse DMX possible selon le mode canal sélectionné. L'icône « << » définit l'adresse à 1. Validez l'adresse DMX en appuyant sur ENTRÉE. La page principale est désormais actualisée et la plage DMX utilisée par le produit s'affiche dans le coin inférieur droit de l'écran.

**RÉGLAGE MODE CANAL**

Pour régler le mode canal du Briteq BTX-TITAN :

- **Mode 1** : 24 canaux
- **Mode 2** : 25 canaux
- **Mode 3** : 17 canaux

**RÉGLAGE IDENTIFIANT DE L'APPAREIL**

L'identifiant de l'appareil (allant de 0001 à 9999) simplifie son installation parce que chaque produit sera identifié par un numéro unique. Grâce à la batterie interne, il n'est pas nécessaire d'allumer l'appareil pour régler ou lire l'identifiant d'appareil.

Pour modifier l'identifiant de l'appareil, un mot de passe est nécessaire : la valeur par défaut est « 1702 ».

**INFORMATION COMPTEUR DE L'APPAREIL**

La durée de fonctionnement de l'appareil (en heures) depuis sa première mise sous tension s'affiche.

**INFORMATION COMPTEUR DE LA LAMPE**

- Compteur de la lampe en heures :** Le nombre total d'heures pendant lequel la lampe est allumée depuis sa première sous tension s'affiche
- Compteur de la lampe en amorçages :** Le nombre total d'amorçages de la lampe depuis sa première sous tension s'affiche
- Réinitialiser le compteur de la lampe :** Cette fonction permet de réinitialiser le nombre total d'heures pendant lequel la lampe est allumée depuis sa première sous tension s'affiche.  
Cette opération doit être réalisée après chaque changement d'ampoule.

**INFORMATION LISTE DES ERREURS**

Si une erreur est détectée, une liste des erreurs apparaîtra ici. Par défaut, sans erreur : « Aucune erreur ».

**INFORMATION DIAGNOSTIC**

Cette fonction permet d'afficher l'état de chaque carte. Si une carte électronique ne fonctionne pas à 100 %, contactez l'assistance technique.

**INFORMATION SURVEILLANCE DES VENTILATEURS**

Cette fonction permet d'afficher la vitesse de rotation des ventilateurs. L'unité de mesure est en tours par minute.

**INFORMATION VALEUR DMX**

Cette fonction affiche la valeur DMX reçue par le Briteq BTX-TITAN sur l'entrée DMX. Elle sert en tant qu'analyseur DMX pour vérifier les valeurs reçues.

**PERSONNALITÉ LAMPE**

**Lampe à la mise en marche (activé, désactivé) :**

- **Activé :** la lampe est allumée à la mise en marche.
- **Désactivé :** la lampe doit être allumée en utilisant le menu local ou DMX.

**Allumer la lampe par DMX (activé, désactivé) :**

- **Activé :** il est possible d'allumer la lampe par DMX.
- **Désactivé :** il n'est pas possible d'allumer la lampe par DMX.

**Allumer la lampe après un délai (de 0 à 60 min) :**

La lampe s'allume automatiquement après un délai de 0 à 60 min une fois le projecteur allumé. Un délai d'allumage peut s'avérer utile pour une installation fixe.

**PERSONNALITÉ PANORAMIQUE-INCLINAISON**

**Panoramique inversé (activé, désactivé)**

- **Activé :** le panoramique est réalisé dans la direction opposée
- **Désactivé :** le panoramique est réalisé normalement

**Inclinaison inversée (activé, désactivé)**

- **Activé :** l'inclinaison est réalisée dans la direction opposée
- **Désactivé :** l'inclinaison est réalisée normalement

**Correction (activé, désactivé)**

- **Activé :** la position de panoramique/inclinaison est corrigée automatiquement.
- **Désactivé :** la position de panoramique/inclinaison n'est pas corrigée automatiquement.

**PERSONNALITÉ ENTRÉE DMX**

Utilisé pour régler l'entrée souhaitée pour le signal DMX :

- **Entrée filaire :** l'entrée XLR (3 ou 5 broches) est utilisée.
- **Entrée sans fil :** le signal DMX est issu d'un transmetteur sans fil externe (vendu séparément)
- **Entrée sans fil/sortie XLR :** le signal DMX est issu d'un transmetteur sans fil externe (vendu

séparément). Le signal sans fil DMX est également disponible au niveau du port de sortie DMX (3 ou 5 broches) pour mettre en série un autre équipement.

**Remarque importante :** ce projecteur n'est PAS équipé d'origine d'un module de réception sans fil. Un module de réception sans fil est disponible en option.

### **PERSONNALITÉ OBSCURCISSEMENT**

#### **Mouvement en mode P/I (activé, désactivé)**

- **Activé :** obscurcissement en cours de mouvement de panoramique/inclinaison
- **Désactivé :** sans obscurcissement en cours de mouvement de panoramique/inclinaison

#### **Mouvement en mode couleur (activé, désactivé)**

- **Activé :** obscurcissement lorsque la couleur change
- **Désactivé :** sans obscurcissement lorsque la couleur change

#### **Mouvement en mode gobo (activé, désactivé)**

- **Activé :** obscurcissement lorsque le gobo change
- **Désactivé :** sans obscurcissement lorsque le gobo change

### **PERSONNALITÉ ÉCRAN**

#### **Luminosité**

Réglage de la luminosité de l'écran

#### **Veille écran**

Réglez un délai de 0 à 10 minutes pour quitter automatiquement l'interface des menus et éteindre l'écran.

#### **Écran tactile (activé, désactivé)**

- **Activé :** l'écran tactile est actif
- **Désactivé :** l'écran tactile est inactif, la navigation des menus n'est possible qu'à l'aide des touches.

#### **Rotation automatique de l'écran (activé, désactivé)**

- **Activé :** l'écran est tourné automatiquement en fonction de l'angle du Briteq BTX-TITAN.
- **Désactivé :** l'écran reste fixe

### **COMMANDE MANUELLE LAMPE**

**Commande de la lampe (activé, désactivé) :** Pour allumer ou éteindre la lampe manuellement

### **COMMANDE MANUELLE RÉINITIALISER**

**Réinitialiser tout :** pour réinitialiser toutes les fonctions du Briteq BTX-TITAN  
**Réinitialiser le mode panoramique/inclinaison :** pour réinitialiser le mode panoramique/inclinaison  
**Réinitialiser le mode couleur :** pour réinitialiser la roue chromatique  
**Réinitialiser le mode gobo :** pour réinitialiser la roue de gobo  
**Réinitialiser les autres fonctions :** pour réinitialiser toutes les autres fonctions

### **COMMANDE MANUELLE CANAL**

Pour modifier manuellement la valeur de chaque canal. Cette fonction permet de tester rapidement l'appareil sans console DMX.

### **AVANCÉ CALIBRAGE**

Calibrage des 14 moteurs intégrés. Les valeurs sont comprises entre 001 et 255. Le mot de passe de calibrage est « 0088 ».

### **AVANCÉ VALEURS PAR DÉFAUT D'USINE**

Pour revenir aux réglages d'usine par défaut.

### **AVANCÉ CALIBRAGE DE L'ÉCRAN TACTILE**

Pour re-calibrer l'écran tactile en appuyant sur les croix rouges à l'écran.

## CANAL DMX (VERSION COMPLÈTE)

L'appareil est doté de 3 modes DMX différents :

- **MODE 24 CANAUX** : mode des fonctionnalités complètes
- **MODE 25 CANAUX** : mode étendu des fonctionnalités complètes avec un réglage de la vitesse de rotation séparé des deux prismes.
- **MODE 17 CANAUX** : mode simple avec des fonctionnalités limitées

24 CANAUX	25 CANAUX	17 CANAUX	VALEUR	FONCTION		
1	1	1	000-255	PANORAMIQUE (PAN)		
2	2		000-255	PANORAMIQUE PRÉCIS (le bit le moins significatif)		
3	3	2	000-255	INCLINAISON (TILT)		
4	4		000-255	INCLINAISON PRÉCIS (le bit le moins significatif)		
5	5	3	000-255	VITESSE DE PANORAMIQUE / INCLINAISON (de rapide à lent)		
6	6	4		<b>FONCTIONS SPÉCIALES</b>		
			000 - 009	Réservé		
			<b>+ IMPORTANT +</b> Pour activer les fonctions suivantes, l'obturateur/stroboscope de l'appareil sélectionné doit être fermé (valeur DMX de 0 à 31) pendant plus de 3 s afin de valider la fonction spéciale			
			010 - 014	Entrée DMX : DMX filaire*		
			015 - 019	Entrée DMX : DMX sans fil*		
			020 - 024	Mode ECO (puissance de lampe de 230 W)		
			025 - 029	Mode standard (puissance de lampe de 280 W)		
			030 - 049	Réservé		
			050 - 059	Mode vitesse de panoramique/inclinaison		
			060 - 069	Mode durée de panoramique/inclinaison		
			070 - 079	Obscurcissement en mouvement de panoramique/inclinaison		
			080 - 089	Sans obscurcissement en mouvement de panoramique/inclinaison		
			090 - 099	Obscurcissement en mouvement de la roue chromatique		
			100 - 109	Sans obscurcissement en mouvement de la roue chromatique		
			110 - 119	Obscurcissement en mouvement de la roue de gobo		
			120 - 129	Sans obscurcissement en mouvement de la roue de gobo		
			130 - 139	Lampe allumée, réinitialisation (réinitialisation complète sauf réinitialisation panoramique/inclinaison)		
			140 - 149	Réinitialisation panoramique/inclinaison		
			150 - 159	Réinitialisation du système de couleur		
			160 - 169	Réinitialisation des roues de gobo		
170 - 179	Gradateur/obturateur					
180 - 189	Réinitialisation zoom/mise au point/prisme					
190 - 199	Réservé					
200 - 209	Réinitialisation totale					

			210 - 229	Réservé
			230 - 239	Lampe éteinte
			240 - 255	Réservé
7	7	5		<b>COULEUR</b>
			000 - 008	Ouverte/blanc
			009 - 017	Rouge profond
			018 - 026	Bleu profond
			027 - 036	Jaune
			037 - 045	Vert
			046 - 054	Magenta
			055 - 063	Azure
			064 - 072	Rouge
			073 - 081	Vert foncé
			082 - 090	Ambre
			091 - 100	Bleu
			101 - 109	Orange
			110 - 118	CTO
			119 - 127	Filtre UV
			128 - 129	Blanc
				<b>Position</b>
			130 - 134	Rouge profond
			135 - 138	Bleu profond
			139 - 143	Jaune
			144 - 147	Vert
			148 - 152	Magenta
			153 - 157	Azure
			158 - 161	Rouge
			162 - 166	Vert foncé
			167 - 171	Ambre
			172 - 176	Bleu
			177 - 180	Orange
			181 - 185	CTO
			186 - 189	Filtre UV
			190 - 215	Effet arc-en-ciel avant de rapide à lent
			216 - 217	Pas de rotation
218 - 243	Effet arc-en-ciel arrière de lent à rapide			
244 - 249	Sélection de couleur aléatoire par commande sonore			
	<b>Sélection de couleur aléatoire par commande sonore</b>			
250 - 255	Sélection de couleur aléatoire automatique de rapide à lent			
8	8		000 - 255	<b>COULEUR PRÉCISE</b>
9	9	6	000 - 255	<b>VITESSE D'EFFET</b>
				Vitesse de rotation Sélection de gobo de max. à min.
10	10	7		<b>GOBO FIXE</b>
			000 - 003	Ouvert/trou
			004 - 009	Gobo 1
			010 - 015	Gobo 2
			016 - 021	Gobo 3
			022 - 027	Gobo 4
			028 - 033	Gobo 5
			034 - 039	Gobo 6
	040 - 045	Gobo 7		

			046 - 051	Gobo 8
			052 - 057	Gobo 9
			058 - 063	Gobo 10
			064 - 069	Réducteur de faisceau 1
			070 - 075	Réducteur de faisceau 2
			076 - 081	Réducteur de faisceau 3
			082 - 087	Réducteur de faisceau 4
			<b>Tremblement de gobos de lent à rapide</b>	
			088 - 095	Gobo 1 - tremblement
			096 - 103	Gobo 2 - tremblement
			104 - 111	Gobo 3 - tremblement
			112 - 119	Gobo 4 - tremblement
			120 - 127	Gobo 5 - tremblement
			128 - 135	Gobo 6 - tremblement
			136 - 143	Gobo 7 - tremblement
			144 - 151	Gobo 8 - tremblement
			152 - 159	Gobo 9 - tremblement
			160 - 167	Gobo 10 - tremblement
			168 - 175	Réducteur de faisceau 1 - tremblement
			176 - 183	Réducteur de faisceau 2 - tremblement
			184 - 191	Réducteur de faisceau 3 - tremblement
			192 - 199	Réducteur de faisceau 4 - tremblement
			200 - 201	Ouvert/trou
			202 - 221	Rotation de roue de gobo vers l'avant de rapide à lent
			222 - 223	Pas de rotation
			224 - 243	Rotation de roue de gobo vers l'arrière de lent à rapide
			244 - 249	Sélection de gobo aléatoire par commande sonore
			<b>(Régler la sensibilité du microphone dans le menu « Personnalité »)</b>	
			250 - 255	Sélection de gobo aléatoire automatique de rapide à lent
				<b>GOBO TOURNANT</b>
			<b>Des valeurs DMX 000 à 059, la vitesse de sélection de gobo est</b>	
			<b>Contrôlé par la vitesse de l'effet du canal</b>	
			<b>Index - régler l'indexage sur le canal 12/9</b>	
			000	Ouvert/trou (par défaut)
			001 - 004	Trou (champ plat)
			005 - 007	Gobo 1
			008 - 010	Gobo 2
			011 - 013	Gobo 3
			014 - 016	Gobo 4
			017 - 019	Gobo 5
			020 - 022	Gobo 6
			023 - 025	Gobo 7
			026 - 028	Gobo 8
			029 - 031	Gobo 9
			<b>Rotation - régler la rotation sur le canal 12/9</b>	
			032 - 034	Gobo 1
			035 - 037	Gobo 2
			038 - 040	Gobo 3
<b>11</b>	<b>11</b>	<b>8</b>		

			041 - 043	Gobo 4
			044 - 046	Gobo 5
			047 - 049	Gobo 6
			050 - 052	Gobo 7
			053 - 055	Gobo 8
			056 - 059	Gobo 9
			<b>Tremblement de gobos de lent à rapide</b>	
			<b>Index - régler l'indexage sur le canal 12/9</b>	
			060 - 067	Gobo 1
			068 - 075	Gobo 2
			076 - 083	Gobo 3
			084 - 091	Gobo 4
			092 - 099	Gobo 5
			100 - 107	Gobo 6
			108 - 115	Gobo 7
			116 - 123	Gobo 8
			124 - 129	Gobo 9
			<b>Tremblement de gobos de lent à rapide</b>	
			<b>Rotation - régler la rotation sur le canal 12/9</b>	
			130 - 137	Gobo 1
			138 - 145	Gobo 2
			146 - 153	Gobo 3
			154 - 161	Gobo 4
			162 - 169	Gobo 5
			170 - 177	Gobo 6
			178 - 185	Gobo 7
			186 - 193	Gobo 8
			194 - 199	Gobo 9
			200 - 201	Ouvert/trou
			202 - 221	Rotation de roue de gobo vers l'avant de rapide à lent
			222 - 223	Pas de rotation
			224 - 243	Rotation de roue de gobo vers l'arrière de lent à rapide
			244 - 249	Sélection de gobo aléatoire par commande sonore
			<b>(Régler la sensibilité du microphone dans le menu « Personnalité »)</b>	
			250 - 255	Sélection de gobo aléatoire automatique de rapide à lent
				<b>ROTATION DE GOBO TOURNANT</b>
			<b>Indexage gobo - régler la position sur le canal 11/8</b>	
			000 - 255	Indexage gobo
			<b>Indexage rotation - régler la position sur le canal 11/8</b>	
			000	Pas de rotation
			001 - 127	Rotation de gobo vers l'avant de rapide à lent
			128 - 129	Pas de rotation
			130 - 255	Rotation de gobo vers l'arrière de lent à rapide
				<b>ROTATION DE GOBO TOURNANT PRÉCISE</b>
			000 - 255	Indexage précis (rotation)
<b>12</b>	<b>12</b>	<b>9</b>		
<b>13</b>	<b>13</b>			

14	14	10		<b>PRISME</b>
			000 - 019	Ouvert
			020 - 039	Indexage de prisme tournant linéaire à 6 facettes
			040 - 049	Rotation de prisme tournant linéaire à 6 facettes
			050 - 059	Indexage de prisme tournant arrondi à 8 facettes
			060 - 069	Rotation de prisme tournant arrondi à 8 facettes
			070 - 079	Indexage de prisme tournant à 6 facettes et 8 facettes
			080 - 089	Rotation de prisme tournant à 6 facettes et 8 facettes
			090 - 108	Indexage de prisme tournant linéaire à 6 facettes Rotation de prisme tournant arrondi à 8 facettes
			109 - 127	Rotation de prisme tournant linéaire à 6 facettes Indexage de prisme tournant arrondi à 8 facettes
			128 - 135	Macro 1
			136 - 143	Macro 2
			144 - 151	Macro 3
			152 - 159	Macro 4
			160 - 167	Macro 5
			168 - 175	Macro 6
			176 - 183	Macro 7
			184 - 191	Macro 8
			192 - 199	Macro 9
			200 - 207	Macro 10
208 - 215	Macro 11			
216 - 223	Macro 12			
224 - 231	Macro 13			
232 - 239	Macro 14			
240 - 247	Macro 15			
248 - 255	Macro 16			
15	15	11		<b>ROTATION DE PRISME LINÉAIRE À 6 FACETTES</b>
				<b>Indexage de prisme</b>
			000 - 255	Indexage de prisme
				<b>Prisme en rotation</b>
			000	Pas de rotation
			001 - 127	Rotation de prise vers l'avant de rapide à lent
			128 - 129	Pas de rotation
			130 - 255	Rotation de prise vers l'arrière de lent à rapide
16	16	12		<b>ROTATION DE PRISME ARRONDI À 8 FACETTES</b>
				<b>Indexage de prisme</b>
			000 - 255	Indexage de prisme
				<b>Prisme en rotation</b>
			001 - 127	Rotation de prise vers l'avant de rapide à lent



			128 - 129	Pas de rotation
			130 - 255	Rotation de prise vers l'arrière de lent à rapide
15				<b>PRISME EN ROTATION</b>
				<b>Indexage de prisme - régler la position sur le canal 14/10</b>
			000 - 255	Indexage de prisme
				<b>Rotation de prisme - régler la position sur le canal 14/10</b>
			000	Pas de rotation
			001 - 127	Rotation de prise vers l'avant de rapide à lent
			128 - 129	Pas de rotation
			130 - 255	Rotation de prise vers l'arrière de lent à rapide
			000 - 255	<b>GEL</b>
16	17	13		<b>Maintien de 0 % à 100 %</b>
17	18	14	000 - 255	<b>ZOOM</b>
				<b>Zoom d'angle max. à min.</b>
18	19		000 - 255	<b>ZOOM PRÉCIS</b>
				<b>Réglage précis du zoom</b>
19	20	15	000 - 255	<b>MISE AU POINT</b>
				<b>Réglage de la mise au point de loin à près</b>
20	21		000 - 255	<b>MISE AU POINT PRÉCISE</b>
				<b>Réglage précis de la mise au point</b>
21	22			<b>MISE AU POINT AUTOMATIQUE</b>
				<b>Sélectionnez la distance souhaitée et l'effet sur lequel la mise au point est nécessaire et utilisez le canal « Mise au point » pour la mise au point de l'image</b>
			000	Mise au point automatique désactivée
				<b>Gobos tournants et trou</b>
			001 - 007	10 mètres
			008 - 015	15 mètres
			016 - 023	20 mètres
			024 - 031	25 mètres
			032 - 039	30 mètres
			040 - 047	35 mètres
			048 - 055	40 mètres
			056 - 063	45 mètres
				<b>Gobos fixes et trou</b>
			064 - 071	10 mètres
			072 - 079	15 mètres
			080 - 087	20 mètres
			088 - 095	25 mètres
			096 - 103	30 mètres
			104 - 111	35 mètres
			112 - 119	40 mètres
120 - 126	45 mètres			
127	Infini			
128 - 255	Réservé			
22	23	16		<b>OBTURATEUR/STROBOSCOPE</b>
			000 - 031	Obturbateur fermé (puissance de lampe réduit à 230 W)
			032 - 063	Obturbateur ouvert, pleine puissance de lampe
			064 - 095	Effet stroboscopique de lent à rapide
			096 - 127	Obturbateur ouvert

			128 - 143	Impulsion d'ouverture en séquences de lent à rapide
			144 - 159	Impulsion de fermeture en séquences de rapide à lent
			160 - 191	Obturateur ouvert
			192 - 223	Effet stroboscopique aléatoire de lent à rapide
			224 - 255	Obturateur ouvert, pleine puissance de lampe
<b>23</b>	<b>24</b>	<b>17</b>	000 - 255	<b>GRADATEUR</b>
			Intensité du gradateur de 0 % à 100 %	
<b>24</b>	<b>25</b>		000 - 255	<b>GRADATEUR PRÉCIS</b>
		Réglage précis du gradateur		

## CANAL DMX (VERSION COURTE)

24	25	17	FONCTION
CANAUX	CANAUX	CANAUX	
1	1	1	PANORAMIQUE
2	2		PANORAMIQUE PRÉCIS (le bit le moins significatif)
3	3	2	INCLINAISON
4	4		INCLINAISON PRÉCIS (le bit le moins significatif)
5	5	3	VITESSE DE PANORAMIQUE / INCLINAISON (de rapide à lent)
6	6	4	FONCTIONS SPÉCIALES
7	7	5	COULEUR
8	8		COULEUR PRÉCISE
9	9	6	VITESSE D'EFFET
10	10	7	GOBO FIXE
11	11	8	GOBO TOURNANT
12	12	9	ROTATION DE GOBO TOURNANT
13	13		ROTATION DE GOBO TOURNANT PRÉCISE
14	14	10	PRISME
	15	11	ROTATION DE PRISME LINÉAIRE À 6 FACETTES
	16	12	ROTATION DE PRISME ARRONDI À 8 FACETTES
15			PRISME EN ROTATION
16	17	13	GEL
17	18	14	ZOOM
18	19		ZOOM PRÉCIS
19	20	15	MISE AU POINT
20	21		MISE AU POINT PRÉCISE
21	22		MISE AU POINT AUTOMATIQUE
22	23	16	OBTURATEUR/STROBOSCOPE
23	24	17	GRADATEUR
24	25		GRADATEUR PRÉCIS

## ENTRETIEN

- Assurez-vous qu'aucune personne étrangère ne se trouve dans la zone en dessous de l'emplacement d'installation durant l'entretien.
- Éteignez l'appareil, débranchez le câble secteur et attendez que l'appareil refroidisse.

### Lors de l'inspection, les points suivants doivent être vérifiés :

- Toutes les vis utilisées pour l'installation de l'appareil et chacun des composants doivent être solidement fixés et ne doivent pas être rouillés.
- Les boîtiers, les supports et les points d'installation (plafond, poutre, suspensions) ne doivent pas être déformés.
- Quand une lentille optique est visiblement endommagée en raison de fissures ou de rayures profondes, elle doit être remplacée.
- Les câbles d'alimentation doivent être dans un état impeccable et doivent être remplacés immédiatement même si un petit problème est détecté.
- Afin de protéger l'appareil de toute surchauffe, les ventilateurs de refroidissement (le cas échéant) et les ouvertures de ventilation doivent être nettoyés mensuellement.
- L'intérieur de l'appareil doit être nettoyé une fois par an à l'aide d'un aspirateur ou d'un jet d'air.
- Le nettoyage des lentilles optiques et/ou miroirs internes et externes doit être effectué périodiquement pour optimiser le flux lumineux. La fréquence de nettoyage dépend de l'environnement dans lequel le projecteur est utilisé : des environnements humides, enfumés ou particulièrement sales peuvent causer l'accumulation de saleté sur l'optique de l'appareil.
  - Nettoyez avec un chiffon doux en utilisant des produits de nettoyage pour verre normal.
  - Séchez toujours les pièces soigneusement.
  - Nettoyez les optiques externes au moins une fois tous les 30 jours.
  - Nettoyez les optiques internes au moins tous les 90 jours.

**Attention :** Nous vous conseillons fortement de faire effectuer le nettoyage interne par un personnel qualifié !

## SPÉCIFICATIONS

Cet appareil ne produit pas d'interférences radio. Ce produit répond aux exigences des directives européennes et nationales actuelles. La conformité a été établie et les déclarations et documents correspondants ont été déposés par le fabricant. Cet appareil a été conçu pour produire un effet d'éclairage décoratif et est utilisé dans les systèmes de jeu de lumière.

<b>Tension d'entrée :</b>	100 ~ 240 V CA, 50 / 60 Hz
<b>Consommation électrique :</b>	400 W
<b>Fusible :</b>	Fusible 250 V 6,3 A
<b>Commande sonore :</b>	Aucune
<b>Connexions DMX :</b>	ENTRÉE/SORTIE XLR 3 broches et 5 broches
<b>Mouvement :</b>	Panoramique : 540° Inclinaison : 270° (+ verrou de panoramique/inclinaison pour la protection en cas de transport)
<b>Gradateur/obturateur :</b>	Gradateur mécanique
<b>Roue chromatique :</b>	1 ouvert + 13 couleurs fixes (voir annexe)
<b>Roue de gobo fixe :</b>	1 ouvert + 14 gobos fixes (voir annexe)
<b>Roue de gobo tournant :</b>	1 ouvert + 9 gobos tournants (voir annexe)
<b>Effets :</b>	maintien et prisme tournant linéaire à 6 facettes et arrondi à 8 facettes
<b>Angle de faisceau :</b>	2,7° > 11°
<b>Mise au point :</b>	Électronique (16 bits)
<b>Canaux DMX utilisés :</b>	17-24-25 canaux
<b>Lampe :</b>	Osram Sirius HRI 280 W E20.6
<b>Dimensions :</b>	391 x 287 x 583 mm (voir annexe)
<b>Poids :</b>	15 kg

Toutes les informations peuvent être modifiées sans préavis  
 Vous pouvez télécharger la dernière version de ce manuel sur notre site Web :  
[www.briteq-lighting.com](http://www.briteq-lighting.com)

# GEBRUIKSAANWIJZING

Hartelijk dank voor de aankoop van dit Briteq® product. Lees voordat u dit apparaat in gebruik neemt deze gebruiksaanwijzing zorgvuldig door, om ten volle te kunnen profiteren van alle mogelijkheden en voor uw eigen veiligheid.

## EIGENSCHAPPEN

- Deze projector bevat BEAM + SPOT + WASH in 1 apparaat: perfect voor verhuurbedrijven!
- Door de OSRAM SIRIUS HRI 280 lamp (7800K), gecombineerd met hoogwaardige optiek, is hij ongelooflijk helder:
  - BEAM: 2,7°~11°, maximaal 82.650 lux op 20m
  - SPOT: 5°~23°, maximaal 25.400 lux op 10m
- De verschillende effectwielen creëren schitterende effecten:
  - 1 kleurenschijf met 13 zorgvuldig geselecteerde kleuren, inclusief CTO- en CTB-filters + wit
  - 1 gobowiel met 14 statische gobo's + open
  - 1 gobowiel met 9 gemakkelijk verwisselbare roterende gobo's (glas + metaal, diameter: 15,8 mm / beelddiameter: 12,5 mm)
  - **Beide prisma's, een rond prisma met 8 facetten en een lineair prisma met 6 facetten, hebben aparte instellingen voor de rotatiesnelheid en kunnen worden gemengd om prachtige effecten te verkrijgen!**
  - FROST-effect (WASH-effect)
  - Gemotoriseerde ZOOM + SCHERPSTELLING met geijkte DMX-waarden
  - Nauwkeurige dimmer/sluiser voor lineair dimmen en variabele stroboscoopeffecten
- De 3-fase MOONS' stappenmotoren verzekeren zeer snelle 540°/270° PAN/TILT-bewegingen met 8 of 16 bit nauwkeurigheid.
- Modulaire opbouw voor gemakkelijk onderhoud en reiniging.
- Optionele draadloze DMX-module leverbaar (W-DMX from Sweden)
- 7 cm (2,8 inch) kleuren aanraakscherm met automatisch schermrotatie voor gemakkelijke en intuïtieve navigatie van het menu
- 3 verschillende DMX-kanaalmodi (17kan, 24kan en 25kan) voor maximale flexibiliteit
- Gemakkelijke firmwarebijwerkingen houden uw apparaat te allen tijde bijgewerkt (optionele firmware updater nodig)
- In-/uitschakelen van de lamp op afstand
- Neutrik 3-pens en 5-pens XLR® in-/uitgangen voor maximale flexibiliteit in een professionele omgeving
- Neutrik PowerCON® in-/uitgangen: Er kan voor gemakkelijke installatie maximaal 16A worden doorgesloten.
- Uitgerust met omegaklemmen voor een snelle installatie.
- Stroomverbruik: slechts 400 W

## VOOR HET GEBRUIK

- Controleer het apparaat voordat u het in gebruik neemt op transportschade. Als er schade is, gebruik het apparaat dan niet en raadpleeg eerst uw dealer.
- **Belangrijk:** Dit apparaat verliet de fabriek in perfecte staat en goed verpakt. Het is absoluut noodzakelijk dat de gebruiker de veiligheidsinstructies en waarschuwingen in deze gebruiksaanwijzing strikt opvolgt. Enige schade als gevolg van verkeerde behandeling valt niet onder de garantie. De dealer accepteert geen verantwoording voor eventuele fouten of problemen die worden veroorzaakt door het niet naleven van deze gebruiksaanwijzing.
- Bewaar dit boekje op een veilige plaats om het in de toekomst te kunnen raadplegen. Als u het apparaat verkoopt, voeg dan deze gebruiksaanwijzing bij.

### Controleer de inhoud:

Controleer of de doos de volgende artikelen bevat:

- BTX-TITAN
- 2 stuks snelvergrendelende "Omegaklem"
- PowerCON®-kabel

- Veiligheidskabel
- Gebruiksaanwijzing

## VEILIGHEIDSAANWIJZINGEN



**LET OP:** Verwijder de bovenste afdekking niet, om het risico op elektrische schokken te verminderen. Er bevinden zich geen door de gebruiker te repareren onderdelen in het apparaat. Laat het onderhoud alleen door gekwalificeerd onderhoudspersoneel uitvoeren.



De bliksemschicht met pijlpunt in een gelijkzijdige driehoek is bedoeld om de gebruiker te waarschuwen voor de aanwezigheid van ongeïsoleerde "gevaarlijke spanning" binnen de behuizing van het apparaat, die van voldoende omvang kan zijn om een risico op elektrische schokken te vormen.



Het uitroepteken in een gelijkzijdige driehoek is bedoeld om de gebruiker te waarschuwen voor de aanwezigheid van belangrijke gebruiks- en onderhouds- (reparatie) aanwijzingen in de documentatie die bij dit apparaat is gevoegd.



Dit symbool betekent: alleen gebruik binnenshuis



Dit symbool betekent: Lees de instructies



Dit symbool bepaalt: de minimale afstand tot verlichte voorwerpen. De minimale afstand tussen de lichtbron en het verlichte oppervlak moet meer dan 12 meter bedragen



Het apparaat is niet geschikt voor directe montage op normaal brandbare oppervlakken. (alleen geschikt voor montage op onbrandbare oppervlakken.)

- Probeer ter bescherming van het milieu het verpakkingsmateriaal zoveel mogelijk te recyclen.
- Een nieuw lichteffect veroorzaakt soms enige ongewenste rook en/of geur. Dit is normaal en verdwijnt na enkele minuten.
- Stel dit apparaat niet bloot aan regen of vocht, om risico op brand of elektrische schokken te voorkomen.
- Als het apparaat na transport in een warme ruimte wordt gebracht, wacht dan tot het aan de omgevingstemperatuur is aangepast, om te voorkomen dat er binnen het apparaat condens wordt gevormd. Condens kan soms verhinderen dat het apparaat op volle capaciteit werkt of kan zelfs schade veroorzaken.
- Dit apparaat is uitsluitend geschikt voor gebruik binnenshuis.
- Zorg ervoor dat er geen metalen voorwerpen of vloeistoffen in het apparaat terechtkomen. Dit kan elektrische schokken of storing veroorzaken. Als er voorwerpen van buitenaf in het apparaat terechtkomen, haal dan onmiddellijk de stekker uit het stopcontact.
- Plaats het armatuur op een goed geventileerde plek, uit de buurt van brandbare materialen en/of vloeistoffen. Het armatuur moet op tenminste 50 cm vanaf omringende muren worden bevestigd.
- Bedek geen ventilatieopeningen, omdat dit tot oververhitting kan leiden.
- Voorkom het gebruik in stoffige omgevingen en maak het apparaat regelmatig schoon.
- Houd het apparaat buiten het bereik van kinderen.
- Onervaren personen mogen dit apparaat niet bedienen.
- De maximale veilige omgevingstemperatuur is 40 °C. Gebruik dit apparaat niet bij hogere omgevingstemperaturen.
- De oppervlaktetemperatuur van het apparaat kan tot 85 °C oplopen. Raak tijdens de werking de behuizing niet met de blote handen aan.
- Zorg ervoor dat er zich tijdens het takelen, onttakelen en het onderhoud geen ongewenste personen in het gebied onder de installatieplaats bevinden.
- Laat het apparaat voor het vervangen van de lamp of het uitvoeren van onderhoud, ongeveer 10 minuten afkoelen.
- Ontkoppel het apparaat altijd wanneer het voor langere tijd niet wordt gebruikt, voor het vervangen van de lamp of voor het uitvoeren van onderhoud.
- De elektrische installatie dient alleen door gekwalificeerd personeel en in overeenstemming met de voorschriften voor elektrische en mechanische veiligheid in uw land te worden uitgevoerd.
- Controleer dat de beschikbare spanning niet hoger is dan is aangegeven op het achterpaneel van het apparaat.
- Het netsnoer dient altijd in perfecte staat te zijn. Schakel het apparaat onmiddellijk uit als het netsnoer is geplet of beschadigd. Het moet door de fabrikant, zijn vertegenwoordiger, of door een vergelijkbaar

bevoegde persoon worden vervangen, om gevaar te vermijden.

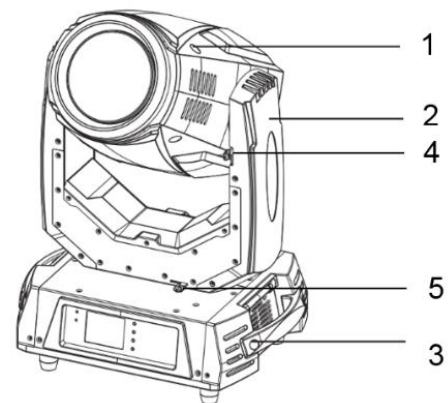
- Laat het netsnoer nooit met andere kabels in contact komen!
- Dit armatuur moet worden geaard om aan de veiligheidsvoorschriften te voldoen.
- Sluit het apparaat niet aan op een dimmerpack.
- Gebruik bij het installeren van het apparaat altijd een geschikte en gecertificeerde veiligheidskabel.
- Open de afdekking niet, om elektrische schokken te voorkomen. Afgezien van de lamp en de zekering bevinden zich geen door de gebruiker te repareren onderdelen in het apparaat.
- Repareer nooit een zekering en overbrug nooit de zekeringhouder. Vervang een kapotte zekering altijd door een zekering van hetzelfde type en met dezelfde elektrische specificaties!
- Als er zich ernstige problemen voordoen met de werking van het armatuur, gebruik het dan niet en neem onmiddellijk contact op met uw dealer.
- De behuizing en de lenzen moeten worden vervangen als ze zichtbaar zijn beschadigd.
- Gebruik de originele verpakking als het apparaat moet worden vervoerd.
- Het is om veiligheidsredenen verboden om onbevoegde modificaties aan het apparaat aan te brengen.

**Belangrijk:** Kijk nooit rechtstreeks in de lichtbron! Gebruik het effect niet in aanwezigheid van personen die aan epilepsie lijden.

## BESCHRIJVING:

### APPARAAT:

1. Kop
2. Arm
3. Voet
4. Automatisch vergrendelende hendel tiltarm
5. Automatisch vergrendelende panhendel

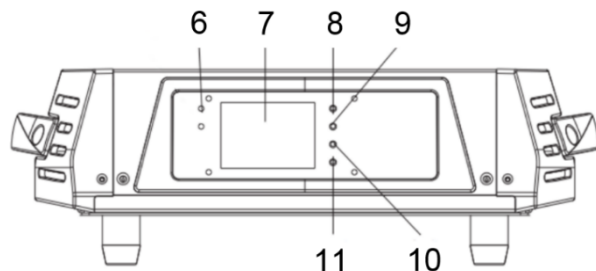


### Opgelet: de kop en arm moeten vóór gebruik worden ontgrendeld!

- Het kantelmechanisme vergrendelt en ontgrendelt elke 45°
- Het panmechanisme vergrendelt en ontgrendelt elke 45°

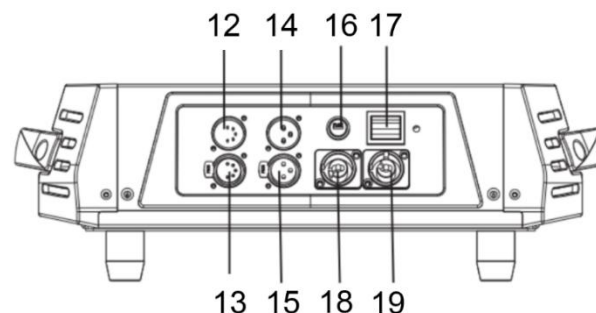
### BEDIENINGSPANEEL:

6. LED voor draadloze DMX
7. LCD-aanraakscherm
8. MODUS-toets
9. OP-toets
10. NEER-toets
11. ENTER-toets



### ACHTERPANEEL:

12. DMX XLR-5-pens uitgang
13. DMX XLR-5-pens ingang
14. DMX XLR-3-pens uitgang
15. DMX XLR-3-pens ingang
16. Hoofdzekering
17. Aan-/uitschakelaar
18. PowerCon® ingang
19. PowerCon® uitgang



**Tip:** Bezoek onze website voor speciale kabelsamenstellen, waarin zowel de stroomvoorziening (3 x 1,5 mm<sup>2</sup> met Neutrik PowerCON®) als een gebalanceerd signaal (XLR 3-polig) in één kabel zijn opgenomen. Er zijn verschillende lengtes verkrijgbaar: 1,3 m, 3 m, 5 m en 10 m, zeer handig!

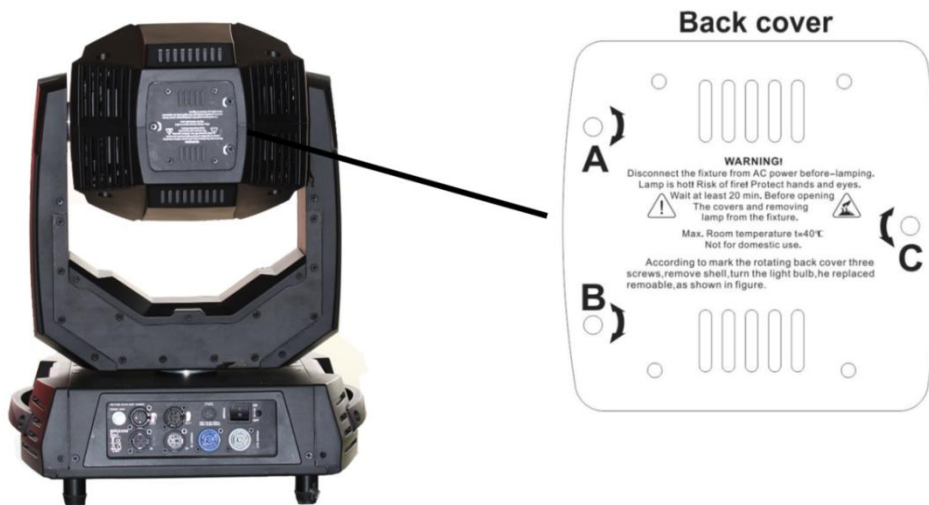
## LAMP PLAATSEN/VERVANGEN



Als u de lamp wilt vervangen of onderhoud wilt uitvoeren, open het armatuur dan niet binnen 10 minuten na het uitschakelen, en wacht totdat het apparaat voldoende is afgekoeld. Haal altijd de stekker van het apparaat uit het stopcontact voordat u er onderhoud aan uitvoert! Gebruik altijd dezelfde soorten reserveonderdelen (lampen, zekeringen enz.). Gebruik bij het vervangen van onderdelen uitsluitend originele reserveonderdelen.

Door de hoge inwendige druk bestaat het risico dat de ontladingslamp tijdens het gebruik ontploft. De lamp straalt krachtige UV-straling uit, die schadelijk is voor de ogen en de huid. Als u in de lamp kijkt, kan de hoge helderheid van de vlamboog ernstige schade aan het netvlies veroorzaken. Schakel de lamp ter bescherming altijd eerst uit (d.m.v. het bedieningspaneel of de DMX-controller) en laat het apparaat voor het uitschakelen van de lichtnetspanning tenminste vijf minuten draaien om af te koelen. Pak de lamp of de lichtbron nooit beet als hij heet is. Draag handschoenen en raak de lamp niet met blote handen aan. Als dit zich voordoet, reinig de lamp dan voor installatie met gedenaturaliseerde alcohol en wrijf hem met een pluisvrije doek af. Wanneer de lamp aan gaat, werkt hij onder hoge druk en bestaat er altijd een klein risico dat de buis voor de vlamboog breekt. Het risico neemt toe met leeftijd, temperatuur en onjuiste behandeling van de lamp. Gebruik de lamp niet langer dan zijn levensduur. Zorg ervoor dat de lamp zich voor de beste projectie in het midden van de reflector bevindt.

- Schakel het apparaat uit en haal de stekker uit het stopcontact.
- Wacht ongeveer 10 minuten totdat het apparaat is afgekoeld.
- Gebruik een schroevendraaier om de schroeven (A-B-C) los te draaien om de achterste afdekking van het armatuur te openen. (Afbeelding 1)



Afbeelding 1 – Achterste afdekking

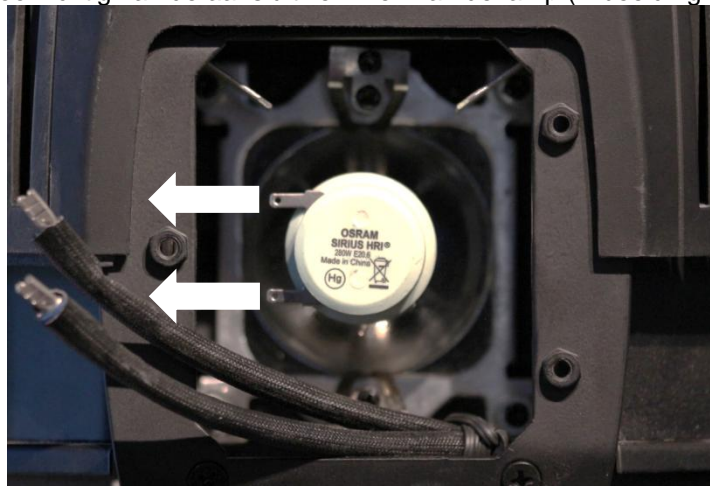
Hierachter treft u de OSRAM “Sirius HRI 280W E20.6” lamp aan (Afbeelding 2)

**Let op:** draag handschoenen en raak de lamp niet met blote handen aan. Als dit zich voordoet, reinig de lamp dan voor installatie met gedenaturaliseerde alcohol en wrijf hem met een pluisvrije doek af. Als u dit niet doet, verkort dit de levensduur van de nieuwe lamp!



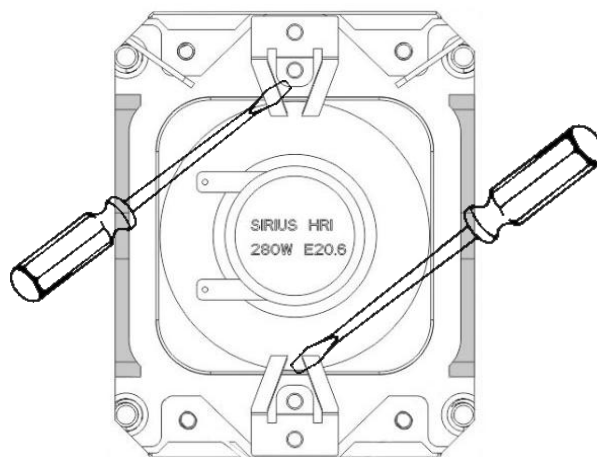
Afbeelding 2 - OSRAM Sirius HRI 280W

- Verwijder de kabels voorzichtig van de aansluitklemmen van de lamp (Afbeelding 3)



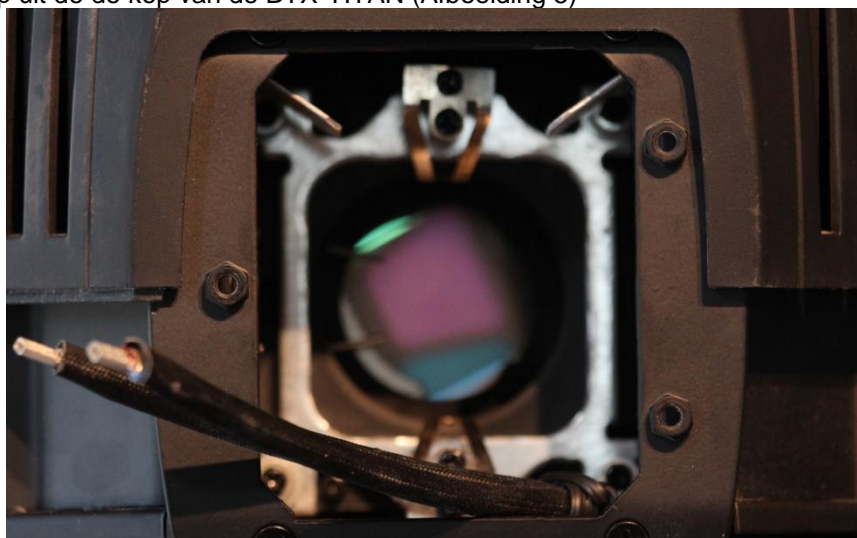
**Afbeelding 3 - Verwijderde kabels**

- U hoeft niet meer schroeven los te draaien om de lamp te kunnen verwijderen, maar verplaatst gewoon de twee metalen klemmen die de lamp op zijn plaats houden. Houd bij deze handeling de lamp vast aan de basis (Afbeelding 4)



**Afbeelding 4 - Verwijder de metalen klemmen VOORZICHTING van de lamp**

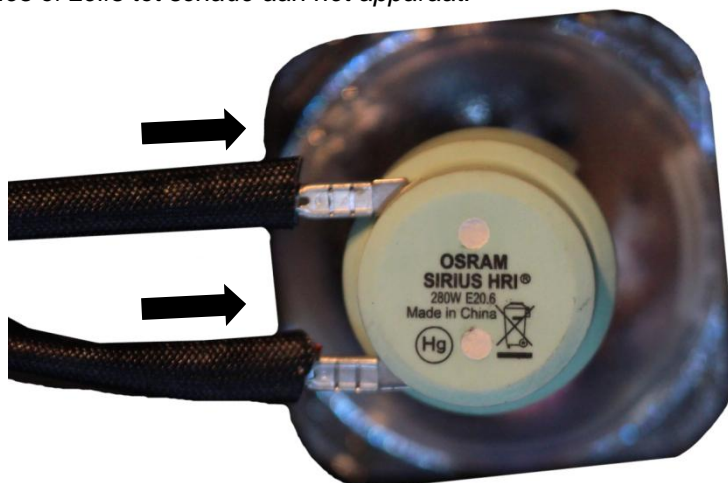
- Verwijder de lamp uit de de kop van de BTX-TITAN (Afbeelding 5)



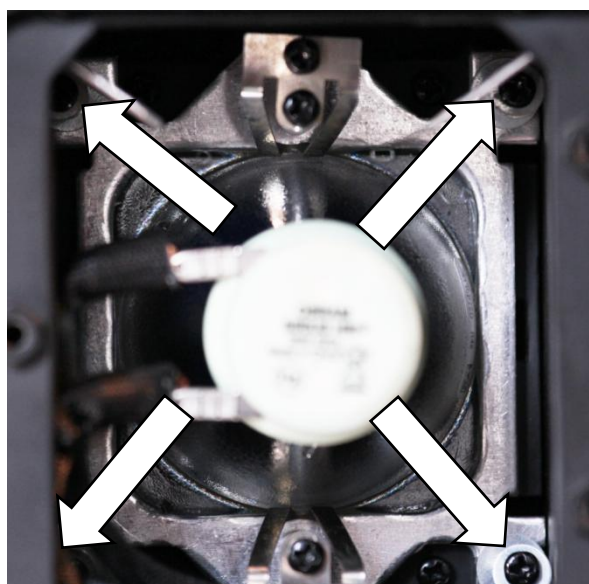
**Afbeelding 5 - Lamp die uit de kop van de BTX-TITAN is verwijderd**



- Sluit de kabels aan op de nieuwe OSRAM "Sirius HRI 280W E20.6" lamp  
**Belangrijk:** Gebruik alleen een originele "Philips MSD Platinum 2R" lamp. Andere lampen kunnen leiden tot mindere prestaties of zelfs tot schade aan het apparaat.



- Plaats die nieuwe lamp op de ondersteuning, en druk erop totdat de twee metalen klemmen de lamp op de juiste wijze op zijn plaats houden.
- Schakel het apparaat weer in en gebruik een DMX-controller om de open bundel op een muur te richten.  
**Let op:** vermijd om direct naar het licht van de lamp in het apparaat te kijken; de UV-straling van de lamp is schadelijk voor de ogen. (het licht van de bundel gaat eerst door een UV-filter)
- U ziet een "hotspot" in de bundel die op de muur wordt geprojecteerd. Pas deze hotspot aan met behulp van de schroeven, zoals in Afb. 6 wordt getoond. De hotspot moet zich zoveel mogelijk in het midden van de bundel bevinden.



Afbeelding 6 - Schroeven voor correctie hotspot

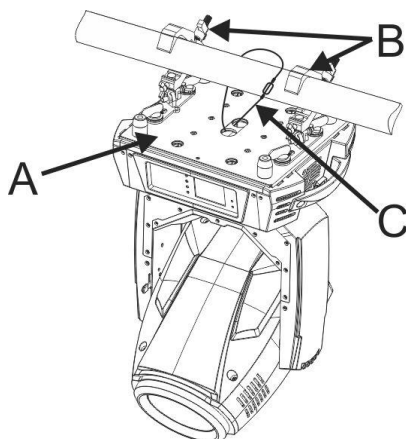
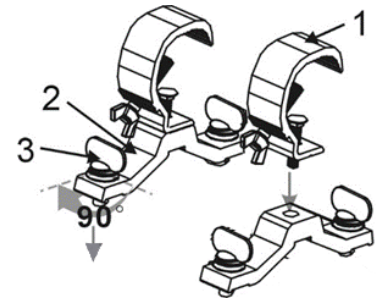
- Sluit de afdekking
- Klaar

## HOOG HIJSEN

- **Belangrijk:** De installatie mag alleen door gekwalificeerd onderhoudspersoneel worden uitgevoerd. Onjuiste installatie kan leiden tot ernstig letsel en/of schade aan eigendommen. Hoog hijsen vereist veel ervaring! Belastinglimieten dienen in acht te worden genomen; er dienen gecertificeerde installatiematerialen te worden gebruikt; het geïnstalleerde apparaat dient regelmatig te worden gecontroleerd op veiligheid.
- Zorg ervoor dat er zich tijdens het takelen, onttakelen en het onderhoud geen ongewenste personen in het gebied onder de installatieplaats bevinden.
- Plaats het armatuur op een goed geventileerde plaats, uit de buurt van brandbare materialen en/of vloeistoffen. Het armatuur moet **op tenminste 50 cm** vanaf omringende muren worden bevestigd.
- Het apparaat dient buiten het bereik van mensen en buiten gebieden waar personen kunnen lopen of zitten te worden geïnstalleerd.
- Controleer voor het hijsen of de installatieplaats een minimale puntbelasting van 10 keer het gewicht van het apparaat kan dragen.
- Gebruik bij het installeren van het apparaat altijd een gecertificeerde veiligheidskabel die 12 keer het gewicht van het apparaat kan dragen. Deze secundaire veiligheidsbevestiging dient op een zodanige wijze te worden geïnstalleerd dat er geen enkel onderdeel van de installatie meer dan 20 cm kan vallen als de hoofdbevestiging het begeeft.
- Het apparaat dient goed te worden bevestigd; een vrij slingerende montage is gevaarlijk en mag niet worden overwogen!
- Bedek geen ventilatieopeningen, omdat dit tot oververhitting kan leiden.
- De exploitant moet ervoor zorgen dat de aan veiligheid gerelateerde en machinetechnische installaties door een deskundige zijn goedgekeurd voordat deze voor de eerste keer in gebruik worden genomen. De installaties dienen jaarlijks door een vakman te worden geïnspecteerd, om er zeker van te zijn dat de veiligheid nog steeds optimaal is.

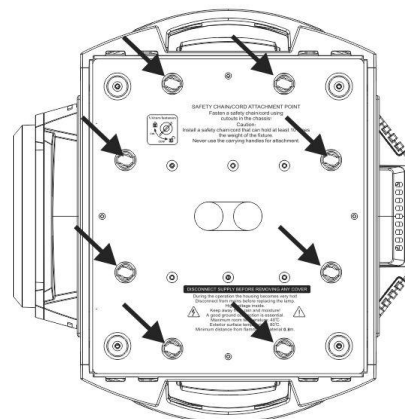
### Installatie:

- Bevestig de bevestigingshaken (1) met schroeven en borgmoeren aan de Omegaklemmen.
- Bevestig de Omegaklemmen (2) aan de onderkant van de voet door desnel klemmen (3) in de gaten van de voet te steken en met de klok mee volledig vast te draaien.



- A = Montageplaat
- B = Snelklemmen
- C = Veiligheidskabel/veiligheidsketting

### OPENINGEN VOOR OMEGABEUGELS

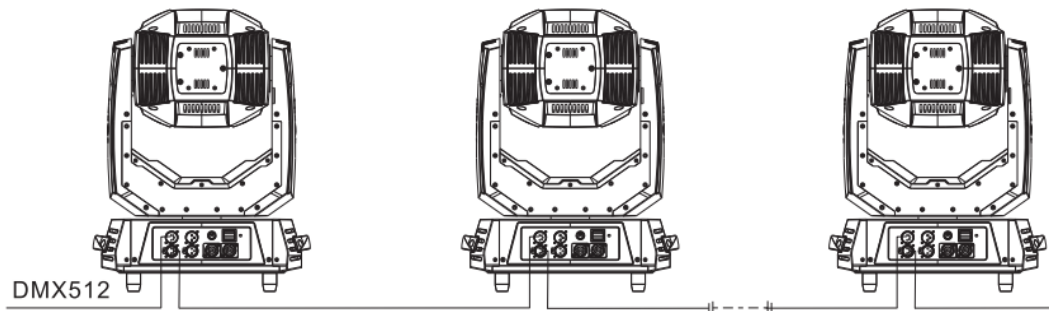
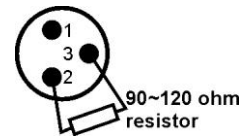


## ELEKTRISCHE INSTALLATIE + ADRESSERING

**⚠ Belangrijk:** De elektrische installatie dient alleen door gekwalificeerd personeel en in overeenstemming met de voorschriften voor elektrische en mechanische veiligheid in uw land te worden uitgevoerd.

### Elektrische installatie voor twee of meer apparaten in de DMX-modus:

- Het DMX-protocol is een veel gebruikt hogesnelheidssignaal om intelligente lichtapparatuur aan te sturen. U moet uw DMX-controller en alle aangesloten apparaten met hoogwaardige gebalanceerde kabels doorkoppelen.
- Er worden zowel 3-pens als 5-pens XLR-connectors gebruikt, maar de 3-pens XLR-connectors zijn populairder omdat deze kabels compatibel zijn met gebalanceerde audiokabels.  
 Penbezetting 3-pens XLR-connector: Pen1 = AARDE ~ Pen2 = Negatief signaal (-) ~ Pen3 = Positief signaal (+)  
 Penbezetting 5-pens XLR-connector: Pen1 = GND ~ Pen2 = Negatief signaal (-) ~ Pen3 = Positief signaal (+) ~ Pennen 4+5 worden niet gebruikt.
- Om vreemd gedrag van de DMX-apparaten als gevolg van storingen te voorkomen, moet u aan het eind van de keten een terminator van 90 Ω tot 120 Ω gebruiken. Gebruik nooit Y-verdeelkabels, dit werkt gewoon niet!
- Zorg ervoor dat alle apparaten op het lichtnet zijn aangesloten.
- Elk apparaat in de keten heeft het juiste startadres nodig, zodat het weet welke commando's van de controller het moet decoderen. In de volgende paragraaf leert u hoe u de DMX-adressen kunt instellen.



## GEBRUIKSAANWIJZING

- Zet het apparaat niet met korte tussenpozen aan en uit, omdat het de levensduur van de lamp zal verkorten.
- Ontkoppel het apparaat altijd wanneer het voor langere tijd niet wordt gebruikt of voor het vervangen van de lamp of het uitvoeren van onderhoud.
- Als er zich ernstige problemen voordoen met de werking van het armatuur, gebruik het dan niet en neem onmiddellijk contact op met uw dealer.
- **Belangrijk:** Kijk nooit rechtstreeks in de lichtbron! Gebruik het effect niet in aanwezigheid van personen die aan epilepsie lijden.

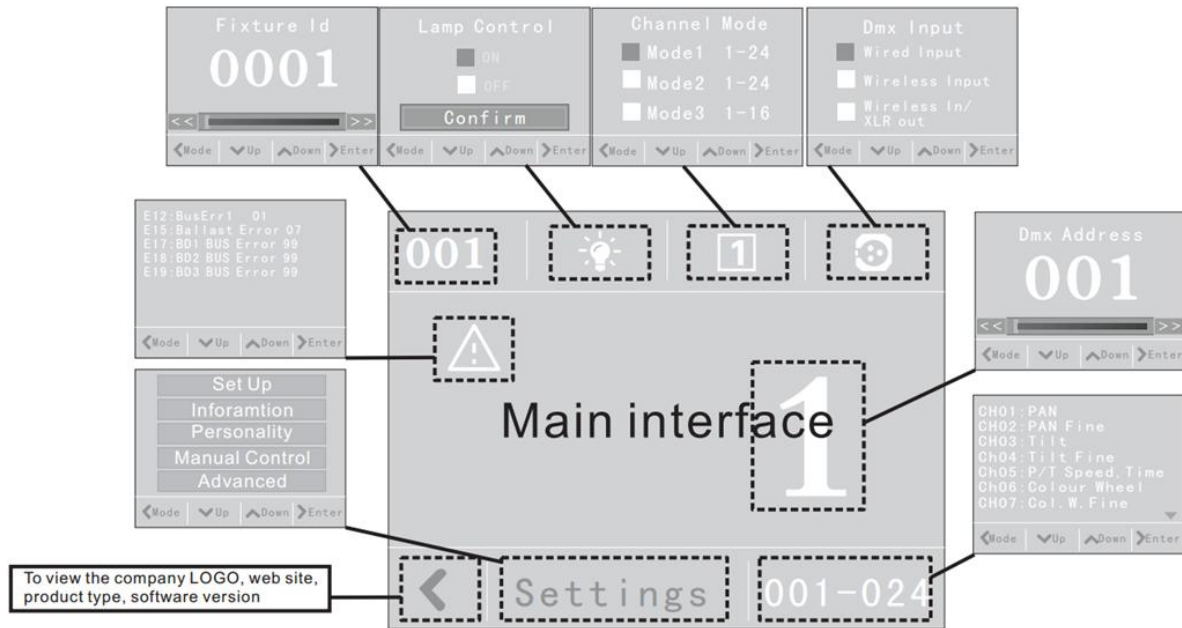
### MENU

U kunt de toetsen of het aanraakscherm gebruiken om door het instellingenmenu en de verschillende submenu's te navigeren. U kunt gemakkelijk instellingen wijzigen, zoals DMX-adressen, verschillende functies enz.

- Gebruik de OP-/NEER-toetsen om door het menu te navigeren en de waarden van de geselecteerde functies te wijzigen.
- Iedere keer dat u een onderdeel van een menu selecteert of een instelling wijzigt, moet u op de ENTER-toets drukken om dit te bevestigen.
- Druk op de MENU-toets om terug te keren naar het vorige menu.

### AANRAAKSCHERM - INDELING HOOFDINTERFACE:

Wanneer het apparaat wordt ingeschakeld, geeft het scherm het BriteQ logo weer, gevolgd door de hoofdinterface, zoals hieronder wordt getoond. De hoofdinterface wordt in verschillende delen (pictogrammen) opgesplitst. U kunt op deze pictogrammen drukken, die in feite snelkoppelingen zijn, om direct toegang te krijgen tot de verschillende onderdelen van het instellingenmenu (zie tekening).



**ID ARMATUUR**

De ID van het armatuur (met een bereik van 0001 tot 9999) vergemakkelijkt de installatie, omdat ieder apparaat door middel van een uniek nummer kan worden geïdentificeerd. Met de interne batterij hebt u geen lichtnetaansluiting nodig om de ID van het armatuur in te stellen of te lezen.

Er is voor het wijzigen van de ID van het armatuur een wachtwoord nodig: het wachtwoord is "1702".

**BEDIENING VAN DE LAMP**

Schakelt de lamp IN of UIT

**KANAALMODUS**

Stel de kanaalmodus van de BriteQ BTX-TITAN in:

- **Modus 1:** 24 kanalen
- **Modus 2:** 25 kanalen
- **Modus 3:** 17 kanalen

**DMX-INGANG**

- ☺ **is groen:** het ontvangen DMX-sigitaal is OK.
- ☹ **is rood en het LCD-scherm knippert:** het ontvangen DMX-sigitaal is NIET OK of er wordt GEEN DMX-sigitaal ontvangen.

Wordt gebruikt om de gewenste ingang voor het DMX-sigitaal in te stellen:

- **Bekabelde ingang:** Er wordt een XLR (3 of 5-pens) ingang gebruikt.
- **Draadloze ingang:** Het DMX-sigitaal is afkomstig van een externe draadloze zender (wordt apart verkocht)
- **Draadloze ingang / XLR-uitgang:** Het DMX-sigitaal is afkomstig van een externe draadloze zender (wordt apart verkocht). Het draadloze DMX-sigitaal is ook beschikbaar op de DMX uitgangspoort (3- of 5-pens) om andere apparatuur door te kunnen koppelen.

**Belangrijke opmerking:** deze projector is origineel NIET voorzien van een draadloze ontvangstmodule. Er is een draadloze ontvangstmodule als optie leverbaar.


**DMX-ADRES**

Stel het DMX-adres in door tenminste 2 seconden op het midden van het scherm te drukken (er verschijnt een gele balk die de voortgang aangeeft op het scherm) en het scherm voor het DMX-adres verschijnt. Het DMX-adres kan met de schuifbalk op het aanraakscherm of met de toetsen "+" en "-" worden gewijzigd. Het pictogram ">>" stelt het laatst geldige DMX-adres in, in overeenstemming met de geselecteerde kanaalmodus. Het pictogram "<<" stelt het adres in op 1. Bevestig het DMX-adres in door op ENTER te drukken. De hoofdpagina wordt nu bijgewerkt en het door het apparaat gebruikte DMX-bereik bevindt zich in de rechteronderhoek van het scherm.

**KANALENLIJST**

Door op het bereik xxx-xxx van het DMX-adres op het hoofdscherm te drukken, wordt de DMX-tabel in overeenstemming met de geselecteerde kanaalmodus weergegeven.

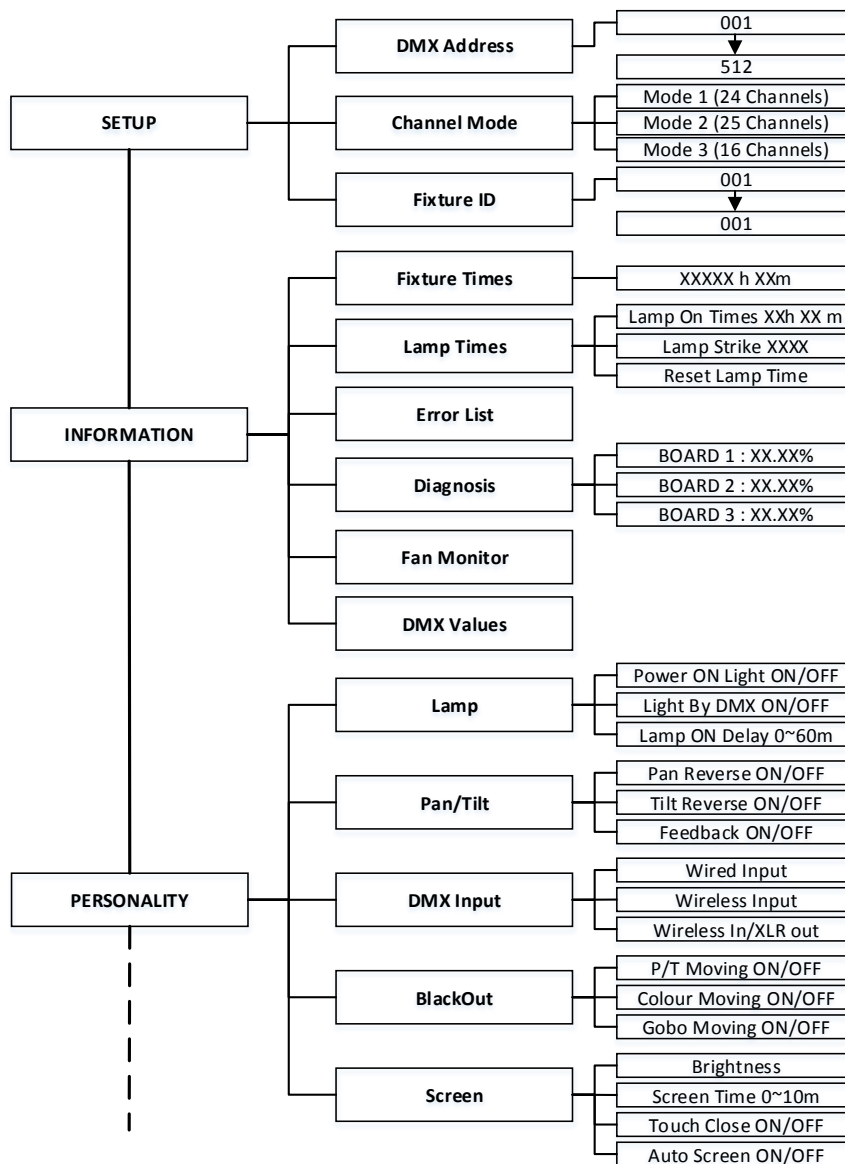
**FOUTMELDINGEN** 

Druk op het pictogram : er verschijnt een lijst met foutmeldingen. Raadpleeg de lijst met foutcodes aan het eind van deze gebruiksaanwijzing.

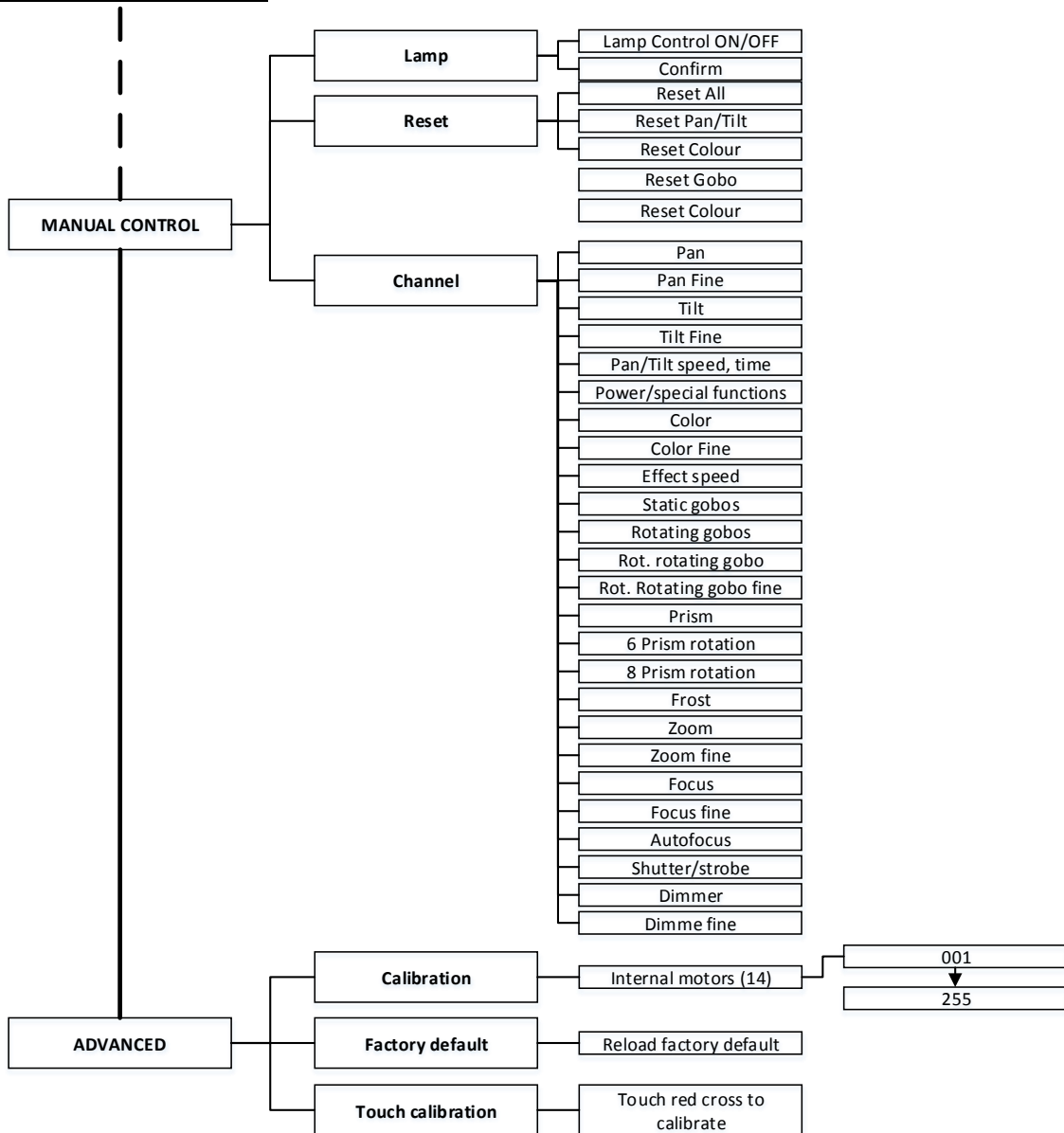
**INSTELLINGENMENU**

Druk op "Instellingen" op et scherm om het instellingenmenu te openen. Gebruik de OP-/NEER-, MODUS- en ENTER-toetsen om te navigeren.

**OVERZICHT MENU - DEEL 1**



**OVERZICHT MENU - DEEL 2**



**INSTELLEN DMX-ADRES**

Stel het DMX-adres in door tenminste 2 seconden op het midden van het scherm te drukken (er verschijnt een gele balk die de voortgang aangeeft op het scherm) en het scherm voor het DMX-adres verschijnt. Het DMX-adres kan met de schuifbalk op het aanraakscherm of met de toetsen “+” en “-“ worden gewijzigd. Het pictogram “>>” stelt het laatst mogelijke DMX-adres in, in overeenstemming met de geselecteerde kanaalmodus. Het pictogram “<<” stelt het adres in op 1. Stel het DMX-adres in door op enter te drukken. De hoofdpagina wordt nu bijgewerkt en het door het apparaat gebruikte DMX-bereik bevindt zich in de rechteronderhoek van het scherm.

**INSTELLEN KANAALMODUS**

Stel de kanaalmodus van de BriteQ BTX-TITAN in:

- **Modus 1:** 24 kanalen
- **Modus 2:** 25 kanalen
- **Modus 3:** 17 kanalen

**INSTELLEN ID ARMATUUR**

De ID van het armatuur (met een bereik van 0001 tot 9999) vergemakkelijkt de installatie, omdat ieder apparaat door middel van een uniek nummer kan worden geïdentificeerd. Met de interne batterij hebt u geen lichtnet aansluiting nodig om de ID van het armatuur in te stellen of te lezen.

Er is voor het wijzigen van de ID van het armatuur een wachtwoord nodig: het wachtwoord is “1702”.

**INFORMATIE TIJDEN ARMATUUR**

Toont de bedrijfstijd (in uren) sinds de eerste keer opstarten.

**INFORMATIE TIJDEN LAMP**

**Tijden lamp aan:** Toont het totaal aantal uren met ingeschakelde lamp sinds de eerste keer opstarten  
**Aanslagen lamp:** Toont het totaal aantal aanslagen van de lamp sinds de eerste keer opstarten  
**Herinstellen lamptijd:** Herstelt het totaal aantal uren met ingeschakelde lamp sinds de eerste keer opstarten. Moet na het vervangen van de lamp worden uitgevoerd.

**INFORMATIE FOUTENLIJST**

Als er een fout wordt gedetecteerd, verschijnt er hier een lijst met de fout(en). Standaard, zonder enige fout: "Geen fout".

**INFORMATIE DIAGNOSE**

Toont de toestand van iedere kaart. Neem contact op met de technische ondersteuning als één van de elektronische kaarten niet op 100% is.

**INFORMATIE BEWAKING VENTILATOR**

Toont de rotatiesnelheid van de ventilators. Snelheid in rotaties per minuut.

**INFORMATIE DMX-WAARDE**

Toont de DMX-waarde die door de Briteq BTX-TITAN op de DMX-ingang is ontvangen. Hij kan als een DMX-analysator worden gebruikt om de ontvangen waarden te controleren.

**PERSOONLIJKHEID LAMP****Licht inschakelen (aan - uit):**

- **Aan:** Schakel de lamp in bij inschakelen van het apparaat.
- **Uit:** De lamp moet tijdens het gebruik van het lokale menu of de DMX zijn ingeschakeld.

**Lamp aan door DMX (aan-uit):**

- **Aan:** de lamp kan door de DMX worden ingeschakeld.
- **Uit:** de lamp kan niet door de DMX worden ingeschakeld.

**Vertraging lamp aan (0-60min):**

De lamp wordt automatisch 0-60 min na het inschakelen van de projector ingeschakeld. In een permanente installatie kan een vertraagde start handig zijn.

**PERSOONLIJKHEID PAN TILT****Pan omgekeerd (aan-uit)**

- **Aan:** Pan werkt in de tegenovergestelde richting
- **Uit:** Pan werkt normaal

**Tilt omkeren (aan-uit)**

- **Aan:** Tilt werkt in de tegenovergestelde richting
- **Uit:** Tilt werkt normaal

**Terugkoppeling (aan-uit)**

- **Aan:** de pan-/tiltpositie wordt automatisch gecorrigeerd.
- **Uit:** de pan-/tiltpositie wordt niet gecorrigeerd.

**PERSOONLIJKHEID DMX-INGANG**

Wordt gebruikt om de gewenste ingang voor het DMX-sigitaal in te stellen:

- **Bekabelde ingang:** Er wordt een XLR (3 of 5-pens) ingang gebruikt.
- **Draadloze ingang:** Het DMX-sigitaal is afkomstig van een externe draadloze zender (wordt apart verkocht)
- **Draadloze ingang / XLR-uitgang:** Het DMX-sigitaal is afkomstig van een externe draadloze zender (wordt apart verkocht). Het draadloze DMX-sigitaal is ook beschikbaar op de DMX uitgangspoort (3- of 5-pens) om andere apparatuur door te kunnen koppelen.

**Belangrijke opmerking:** deze projector is origineel NIET voorzien van een draadloze ontvangstmodule. Er is een draadloze ontvangstmodule als optie leverbaar.

**PERSOONLIJKHEID BLACK-OUT****P/T bewegen (aan-uit)**

- **Aan:** Black-out terwijl pan/tilt bewegen
- **Uit:** Geen black-out terwijl pan/tilt bewegen

**Beweging kleur (aan-uit)**

- **Aan:** Black-out terwijl de kleur wisselt
- **Uit:** Geen black-out terwijl de kleur wisselt

**Beweging gobo (aan-uit)**

- **Aan:** Black-out terwijl de gobo wisselt
- **Uit:** Geen black-out terwijl de gobo wisselt

**PERSOONLIJKHEID SCHERM****Helderheid**

Stel de helderheid van het scherm in

**Schermtijd**

Stel een vertraging van 0 tot 10 minuten in, waarna de menu-interface automatisch wordt verlaten en het scherm wordt uitgeschakeld.

**Aanraakscherm (aan-uit)**

- **Aan:** Het aanraakscherm is actief
- **Uit:** Het aanraakscherm is niet actief, navigatie van het menu is alleen met gebruikmaking van de toetsen mogelijk.

**Automatisch scherm (aan-uit)**

- **Aan:** het scherm wordt automatisch geroteerd, gebaseerd op de hoek van de BriteQ BTX-TITAN.
- **Uit:** de oriëntatie van het scherm is vast

**HANDMATIGE BEDIENING LAMP**

**Bediening van de lamp (aan-uit):** Schakelt de lamp handmatig in/uit

**HANDMATIGE BEDIENING HERINSTELLEN**

<b>Alles herinstellen:</b>	Herstelt alle functies van de BriteQ BTX-TITAN
<b>Herinstellen pan/tilt:</b>	Herinstellen pan en tilt
<b>Herinstellen kleur:</b>	Herinstellen kleurenwiel
<b>Herinstellen gobo:</b>	Herinstellen gobowiel
<b>Herinstellen andere:</b>	Herinstellen van alle andere functies

**HANDMATIGE BEDIENING KANAAL**

Wijzig de waarde van ieder kanaal handmatig. Dit is een gemakkelijke manier om het apparaat snel en zonder DMX-console te testen.

**GEAVANCEERD KALIBRATIE**

Kalibratie van de 14 geïntegreerde motors. De waarden kunnen worden ingesteld van 001 tot 255. Het wachtwoord voor kalibratie is "0088".

**GEAVANCEERD FABRIEKSSTANDAARD**

Keer terug naar de standaard fabrieksinstellingen.

**GEAVANCEERD KALIBRATIE AANRAAKSCHERM**

Herkalibreer het aanraakscherm door op het rode kruis op het scherm te drukken.



## DMX-KANAAL (VOLLEDIGE VERSIE)

Het apparaat is voorzien van 3 verschillende DMX-modi:

- **24KAN-MODUS:** Modus volledige functionaliteit
- **25KAN-MODUS:** Uitgebreide modus met volledige functionaliteit met aparte regeling voor de rotatiesnelheid van beide prisma's.
- **17KAN-MODUS:** Eenvoudige modus met beperkte functionaliteit

24KAN	25KAN	17KAN	WAARDE	FUNCTIE		
1	1	1	000-255	PAN		
2	2		000-255	FIJNREGELING PAN (minst significante bit)		
3	3	2	000-255	TILT		
4	4		000-255	FIJNREGELING TILT (minst significante bit)		
5	5	3	000-255	PAN-/TILTSNELHEID (van snel naar traag)		
6	6	4		<b>SPECIALE FUNCTIES</b>		
			000 - 009	Gereserveerd		
			<b>+ BELANGRIJK +</b> Voor het activeren van de volgende functies, moet de sluiters/stroboscoop van het geselecteerde apparaat meer dan 3 seconden zijn gesloten (DMX-waarde 0-31) om de speciale functie te kunnen bekrachtigen			
			010 - 014	DMX-ingang: Bekabelde DMX*		
			015 - 019	DMX-ingang: Draadloze DMX*		
			020 - 024	Milieumodus (vermogen lamp op 230 W)		
			025 - 029	Standaard modus (vermogen lamp 280 W)		
			030 - 049	Gereserveerd		
			050 - 059	Snelheidsmodus pan-/tilt		
			060 - 069	Tijdmodus pan-/tilt		
			070 - 079	Black-out bij bewegende pan/tilt		
			080 - 089	Black-out bij bewegende pan/tilt uitgeschakeld		
			090 - 099	Black-out bij bewegend kleurwiel		
			100 - 109	Black-out bij bewegend kleurwiel uitgeschakeld		
			110 - 119	Black-out bij bewegend gobowiel		
			120 - 129	Black-out bij bewegend gobowiel uitgeschakeld		
			130 - 139	Lamp aan, herinstellen (totaal herinstellen behalve herinstellen pan/tilt)		
			140 - 149	Herinstellen pan/tilt		
			150 - 159	Herinstellen kleursysteem		
			160 - 169	Herinstellen gobowielen		
170 - 179	Dimmer/sluiters					
180 - 189	Herinstellen zoom/scherpstellen/prisma					
190 - 199	Gereserveerd					
200 - 209	Totaal herinstellen					
210 - 229	Gereserveerd					
230 - 239	Lamp uit					
240 - 255	Gereserveerd					
7	7	5		<b>KLEUR</b>		
			000 - 008	Open/wit		
			009 - 017	Dieprood		
			018 - 026	Diepblauw		
			027 - 036	Geel		
			037 - 045	Groen		
			046 - 054	Magenta		

			055 - 063	Azuur
			064 - 072	Rood
			073 - 081	Donkergroen
			082 - 090	Amber
			091 - 100	Blauw
			101 - 109	Oranje
			110 - 118	CTO
			119 - 127	UV-filter
			128 - 129	Wit
			<b>Positie</b>	
			130 - 134	Dieprood
			135 - 138	Diepblauw
			139 - 143	Geel
			144 - 147	Groen
			148 - 152	Magenta
			153 - 157	Azuur
			158 - 161	Rood
			162 - 166	Donkergroen
			167 - 171	Amber
			172 - 176	Blauw
			177 - 180	Oranje
			181 - 185	CTO
			186 - 189	UV-filter
			190 - 215	Voorwaarts regenboogeffect van snel naar traag
			216 - 217	Geen rotatie
			218 - 243	Achterwaarts regenboogeffect van traag naar snel
			244 - 249	Willekeurige kleurselectie door geluidsaansturing
			<b>Willekeurige kleurselectie door geluidsaansturing</b>	
			250 - 255	Automatische willekeurige kleurselectie van snel naar traag
<b>8</b>	<b>8</b>		000 - 255	<b>FIJNREGELING KLEUR</b>
<b>9</b>	<b>9</b>	<b>6</b>	000 - 255	<b>EFFECTSNELHEID</b>
			<b>Rotatiesnelheid. Selectie gobo van maximaal naar minimaal.</b>	
				<b>STATISCHE GOBO</b>
			000 - 003	Open/gat
			004 - 009	Gobo 1
			010 - 015	Gobo 2
			016 - 021	Gobo 3
			022 - 027	Gobo 4
			028 - 033	Gobo 5
			034 - 039	Gobo 6
			040 - 045	Gobo 7
			046 - 051	Gobo 8
			052 - 057	Gobo 9
			058 - 063	Gobo 10
			064 - 069	Bundelreductie 1
			070 - 075	Bundelreductie 2
			076 - 081	Bundelreductie 3
			082 - 087	Bundelreductie 4
			<b>Trillende gobo's van traag naar snel</b>	
			088 - 095	Gobo 1- trillen
			096 - 103	Gobo 2- trillen
			104 - 111	Gobo 3- trillen
<b>10</b>	<b>10</b>	<b>7</b>		

			112 - 119	Gobo 4- trillen
			120 - 127	Gobo 5- trillen
			128 - 135	Gobo 6- trillen
			136 - 143	Gobo 7- trillen
			144 - 151	Gobo 8- trillen
			152 - 159	Gobo 9- trillen
			160 - 167	Gobo 10- trillen
			168 - 175	Bundelreductie 1 - trillen
			176 - 183	Bundelreductie 2 - trillen
			184 - 191	Bundelreductie 3 - trillen
			192 - 199	Bundelreductie 4 - trillen
			200 - 201	Open/gat
			202 - 221	Voorwaartse rotatie gobowiel van snel naar traag
			222 - 223	Geen rotatie
			224 - 243	Achterwaartse rotatie gobowiel van traag naar snel
			244 - 249	Willekeurige selectie gobo door geluidsaansturing
			<b>(Stel de gevoeligheid van de microfoon in "Persoonlijkheid" in)</b>	
			250 - 255	Automatische willekeurige selectie van gobo van snel naar traag
			<b>ROTERENDE GOBO</b>	
			<b>Binnen het DMX-bereik van 000 - 059, wordt de selectiesnelheid van de gobo Bediend door het kanaal voor snelheid van het effect</b>	
			<b>Index – stel het indexeren in op kanaal 12/9</b>	
			000	Open/gat (standaard)
			001 - 004	Gat (vlak veld)
			005 - 007	Gobo 1
			008 - 010	Gobo 2
011 - 013	Gobo 3			
014 - 016	Gobo 4			
017 - 019	Gobo 5			
020 - 022	Gobo 6			
023 - 025	Gobo 7			
026 - 028	Gobo 8			
029 - 031	Gobo 9			
<b>Rotatie – stel de rotatie in op kanaal 12/9</b>				
032 - 034	Gobo 1			
035 - 037	Gobo 2			
038 - 040	Gobo 3			
041 - 043	Gobo 4			
044 - 046	Gobo 5			
047 - 049	Gobo 6			
050 - 052	Gobo 7			
053 - 055	Gobo 8			
056 - 059	Gobo 9			
<b>Trillende gobo's van traag naar snel</b>				
<b>Index – stel het indexeren in op kanaal 12/9</b>				
060 - 067	Gobo 1			
068 - 075	Gobo 2			
076 - 083	Gobo 3			
084 - 091	Gobo 4			
092 - 099	Gobo 5			
100 - 107	Gobo 6			

			108 - 115	Gobo 7
			116 - 123	Gobo 8
			124 - 129	Gobo 9
			<b>Trillende gobo's van traag naar snel</b>	
			<b>Rotatie – stel de rotatie in op kanaal 12/9</b>	
			130 - 137	Gobo 1
			138 - 145	Gobo 2
			146 - 153	Gobo 3
			154 - 161	Gobo 4
			162 - 169	Gobo 5
			170 - 177	Gobo 6
			178 - 185	Gobo 7
			186 - 193	Gobo 8
			194 - 199	Gobo 9
			200 - 201	Open/gat
			202 - 221	Voorwaartse rotatie gobowiel van snel naar traag
			222 - 223	Geen rotatie
			224 - 243	Achterwaartse rotatie gobowiel van traag naar snel
			244 - 249	Willekeurige selectie gobo door geluidsaansturing
			<b>(Stel de gevoeligheid van de microfoon in het menu "Persoonlijkheid" in)</b>	
			250 - 255	Automatische willekeurige selectie van gobo van snel naar traag
				<b>ROTATIE ROTERENDE GOBO</b>
			<b>Indexeren gobo – stel de stand in op kanaal 11/8</b>	
			000 - 255	Indexeren gobo
			<b>Rotatie gobo – stel de stand in op kanaal 11/8</b>	
			000	Geen rotatie
			001 - 127	Voorwaartse rotatie gobo van snel naar traag
			128 - 129	Geen rotatie
			130 - 255	Achterwaartse rotatie gobo van traag naar snel
				<b>FIJNREGELING ROTATIE ROTERENDE GOBO</b>
			000 - 255	Fijnindexering (rotatie)
				<b>PRISMA</b>
			000 - 019	Openen
			020 - 039	Indexeren roterend lineair prisma met 6-facetten
			040 - 049	Roteren roterend lineair prisma met 6-facetten
			050 - 059	Indexeren roterend rond prisma met 8-facetten
			060 - 069	Roteren roterend rond prisma met 8-facetten
			070 - 079	Indexeren roterende prisma's met 6-facetten en 8-facetten
			080 - 089	Roteren roterende prisma's met 6-facetten en 8-facetten
			090 - 108	Indexeren roterend lineair prisma met 6-facetten Roteren roterend rond prisma met 8-facetten
			109 - 127	Roteren roterend lineair prisma met 6-facetten Indexeren roterend rond prisma met 8-facetten
			128 - 135	Macro 1
			136 - 143	Macro 2
			144 - 151	Macro 3
			152 - 159	Macro 4
			160 - 167	Macro 5
<b>12</b>	<b>12</b>	<b>9</b>		
<b>13</b>	<b>13</b>			
<b>14</b>	<b>14</b>	<b>10</b>		

			168 - 175	Macro 6
			176 - 183	Macro 7
			184 - 191	Macro 8
			192 - 199	Macro 9
			200 - 207	Macro 10
			208 - 215	Macro 11
			216 - 223	Macro 12
			224 - 231	Macro 13
			232 - 239	Macro 14
			240 - 247	Macro 15
			248 - 255	Macro 16
	15	11		<b>ROTATIE LINEAIR PRISMA MET 6 FACETTEN</b>
			<b>Indexeren prisma</b>	
			000 - 255	Indexeren prisma
			<b>Rotatie prisma</b>	
			000	Geen rotatie
			001 - 127	Voorwaartse rotatie prisma van snel naar traag
			128 - 129	Geen rotatie
	130 - 255	Achterwaartse rotatie prisma van traag naar snel		
	16	12		<b>ROTATIE ROND PRISMA MET 8 FACETTEN</b>
			<b>Indexeren prisma</b>	
			000 - 255	Indexeren prisma
			<b>Rotatie prisma</b>	
			000	Geen rotatie
			001 - 127	Voorwaartse rotatie prisma van snel naar traag
			128 - 129	Geen rotatie
	130 - 255	Achterwaartse rotatie prisma van traag naar snel		
15				<b>ROTATIE PRISMA</b>
				<b>Indexeren prisma – stel de stand in op kanaal 14/10</b>
			000 - 255	Indexeren prisma
				<b>Rotatie prisma – stel de stand in op kanaal 14/10</b>
			000	Geen rotatie
			001 - 127	Voorwaartse rotatie prisma van snel naar traag
		128 - 129	Geen rotatie	
		130 - 255	Achterwaartse rotatie prisma van traag naar snel	
16	17	13	000 - 255	<b>FROST</b>
				<b>Frost van 0% tot 100%</b>
17	18	14	000 - 255	<b>ZOOM</b>
				<b>Zoomen van maximale naar minimale hoek</b>
18	19		000 - 255	<b>FIJNREGELING ZOOMEN</b>
				<b>Fijnregeling zoomen</b>
19	20	15	000 - 255	<b>SCHERPSTELLING</b>
				<b>Aanspassen scherpstelling van ver tot dichtbij</b>
20	21		000 - 255	<b>FIJNREGELING SCHERPSTELLEN</b>
				<b>Fijnregeling scherpstellen</b>
21	22			<b>AUTOMATISCH SCHERPSTELLEN</b>
				Selecteer de gewenste afstand en het gewenste effect, waarop u scherp moet stellen en gebruik het kanaal "Scherpstellen" om het beeld scherp te stellen
			000	Automatisch scherpstellen uit
				<b>Roterende gobo's en gat</b>

			001 - 007	10 meter
			008 - 015	15 meter
			016 - 023	20 meter
			024 - 031	25 meter
			032 - 039	30 meter
			040 - 047	35 meter
			048 - 055	40 meter
			056 - 063	45 meter
			<b>Statische gobo's en gat</b>	
			064 - 071	10 meter
			072 - 079	15 meter
			080 - 087	20 meter
			088 - 095	25 meter
			096 - 103	30 meter
			104 - 111	35 meter
			112 - 119	40 meter
			120 - 126	45 meter
			127	Oneindigheid
			128 - 255	Gereserveerd
			<b>SLUITER / STROBOSCOOP</b>	
			000 - 031	Sluiter gesloten (Vermogen lamp gereduceerd tot 230 W)
			032 - 063	Sluiter open, lamp op vol vermogen
			064 - 095	Stroboscoopeffect van traag naar snel
			096 - 127	Sluiter geopend
			128 - 143	Openingspulsen in reeksen van traag naar snel
			144 - 159	Sluitpulsen in reeksen van snel naar traag
			160 - 191	Sluiter geopend
			192 - 223	Willekeurig stroboscoopeffect van traag naar snel
			224 - 255	Sluiter open, lamp op vol vermogen
<b>23</b>	<b>24</b>	<b>17</b>	000 - 255	<b>Dimmer</b>
			Dimmerintensiteit van 0% tot 100%	
<b>24</b>	<b>25</b>		000 - 255	<b>FIJNREGELING SCHERPSTELLEN</b>
			Fijnregling dimmer	

## DMX KANAAL (VERKORTE VERSIE)

24KAN	25KAN	16KAN	FUNCTIE
1	1	1	PAN
2	2		FIJNREGELING PAN (minst significante bit)
3	3	2	TILT
4	4		FIJNREGELING TILT (minst significante bit)
5	5	3	PAN-/TILTSNELHEID (van snel naar traag)
6	6	4	SPECIALE FUNCTIES
7	7	5	KLEUR
8	8		FIJNREGELING KLEUR
9	9	6	EFFECTSNELHEID
10	10	7	STATISCHE GOBO
11	11	8	ROTARENDE GOBO
12	12	9	ROTATIE ROTARENDE GOBO
13	13		FIJNREGELING ROTATIE ROTARENDE GOBO
14	14	10	PRISMA
	15	11	ROTATIE LINEAIR PRISMA MET 6 FACETTEN

	16	12	ROTATIE ROND PRISMA MET 8 FACETTEN
15			ROTATIE PRISMA
16	17	13	FROST
17	18	14	ZOOM
18	19		FIJNREGELING ZOOMEN
19	20	15	SCHERPSTELLING
20	21		FIJNREGELING SCHERPSTELLEN
21	22		AUTOMATISCH SCHERPSTELLEN
22	23	16	SLUITER / STROBOSCOOP
23	24	17	Dimmer
24	25		FIJNREGELING SCHERPSTELLEN

## ONDERHOUD

- Zorg ervoor dat het gebied onder de installatieplaats tijdens takelen, onttakelen en onderhoud vrij is van ongewenste personen.
- Schakel het apparaat uit, ontkoppel het netsnoer en wacht totdat het apparaat is afgekoeld.

### **Tijdens de inspectie dienen de volgende punten te worden gecontroleerd:**

- Alle voor de bevestiging van het apparaat en zijn onderdelen gebruikte schroeven dienen goed vast te zitten en mogen niet gecorrodeerd zijn.
- Behuizingen, bevestigingen en installatieplaatsen (plafond, truss, ophangingen) moeten volledig vrij van vervorming zijn.
- Wanneer een optische lens zichtbaar is beschadigd als gevolg van scheuren of diepe krassen, moet hij worden vervangen.
- De netsnoeren moeten in perfecte staat zijn en onmiddellijk worden vervangen, wanneer er ook maar een klein probleem wordt ontdekt.
- Om het apparaat tegen oververhitting te beschermen, moeten de ventilatoren (indien aanwezig) en ventilatieopeningen maandelijks worden gereinigd.
- Het interieur van het apparaat dient jaarlijks met een stofzuiger of luchtsput te worden gereinigd.
- Het reinigen van de interne en externe optische lenzen en/of spiegels moet regelmatig worden uitgevoerd om de lichtopbrengst te optimaliseren. De frequentie van reiniging is afhankelijk van de omgeving waarin het armatuur werkt: een vochtige, rokerige of bijzonder vuile omgeving kan leiden tot een grotere opeenhoping van vuil op de optiek van het apparaat.
  - Reinig met een zachte doek en gebruik hierbij normale reinigingsmiddelen voor glas.
  - Droog de onderdelen altijd zorgvuldig.
  - Reinig de externe optiek tenminste eenmaal per 30 dagen.
  - Reinig de interne optiek tenminste eenmaal per 90 dagen.

**Let op: Wij raden ten sterkste aan om het inwendig reinigen door gekwalificeerd personeel uit te laten voeren!**

## SPECIFICATIES

Dit apparaat is ontstoord. Dit apparaat voldoet aan de eisen van de huidige Europese en nationale richtlijnen. De conformiteit werd vastgesteld en de desbetreffende verklaringen en documenten zijn door de fabrikant gedeponneerd. Dit apparaat is ontworpen om decoratieve effectverlichting te produceren en wordt in lichtshowsysteem gebruikt.

<b>Lichtnetaansluiting:</b>	100~240 V wisselspanning, 50/60 Hz
<b>Opgenomen vermogen:</b>	400 Watt
<b>Zekering:</b>	Zekering 250 V 6,3 A
<b>Geluidaansturing:</b>	geen
<b>DMX-aansluitingen:</b>	3-pens en 5-pens XLR In-/uitgang
<b>Beweging:</b>	Pan: 540° Tilt: 270° (+ vergrendeling pan/tilt voor transportbescherming)
<b>Dimmer/sluiser:</b>	Mechanische dimmer
<b>Kleurenwiel:</b>	1 open + 13 vaste kleuren (zie bijlagen)
<b>Vast gobowiel:</b>	1 open + 14 vaste gobo's (zie bijlagen)
<b>Roterend gobowiel:</b>	1 open + 9 roterende gobo's (zie bijlagen)
<b>Effect:</b>	roterende prisma's; rond met 8 facetten en lineair met 6 facetten en frost
<b>Bundelhoek:</b>	2,7° > 11°
<b>Scherpstelling:</b>	Elektronisch (16 bit)
<b>Gebruikte DMX-kanalen:</b>	17-24-25 kanalen
<b>Lamp:</b>	Osram Sirius HRI 280W E20.6
<b>Afmetingen:</b>	391 x 287 x 583 mm (zie bijlagen)
<b>Gewicht:</b>	15 kg

**Alle informatie is onderhevig aan wijzigingen zonder voorafgaande kennisgeving  
U kunt de nieuwste versie van deze handleiding downloaden van onze website:  
[www.briteq-lighting.com](http://www.briteq-lighting.com)**



# BEDIENUNGSANLEITUNG

Vielen Dank für den Kauf dieses Briteq®-Produkts. Bitte lesen Sie diese Bedienungshinweise vor der Inbetriebnahme sorgfältig durch, um alle Möglichkeiten des Geräts voll nutzen zu können, sowie zu Ihrer eigenen Sicherheit.

## EIGENSCHAFTEN

- Bei diesem Projektor sind BEAM + SPOT + WASH in einem Gerät integriert: Ideal für Verleihfirmen!
- Dank dem Leuchtmittel OSRAM SIRIUS HRI 280 (7800 K) in Kombination mit einer Hi-Q-Optik ist er unglaublich hell:
  - BEAM: 2,7°–11°, max. 82.650 Lux bei 20 m
  - SPOT: 5°–23°, max. 25.400 Lux bei 10 m
- Die verschiedenen Effekträder erzeugen überwältigende Effekte:
  - 1 Farbrad mit 13 sorgfältig ausgewählten Farben, einschließlich CTO- und CTB-Filter und Weiß
  - 1 Goborad mit 14 Statikgobos und offen
  - 1 Goborad mit neun unkompliziert austauschbaren Drehgobos (Glas und Metall, Aussen D: 15,8 mm / Bild D: 12,5 mm)
  - **Das 8-Facetten-Rund- und das 6-Facetten-Linearprisma haben unterschiedliche Drehzahleinstellungen und können für erstaunliche Effekte kombiniert werden!**
  - FROST-Effekt (WASH-Effekt)
  - Motorbetriebener ZOOM und FOKUS mit kalibrierten DMX-Werten
  - Genauer Dimmer/Shutter für lineares Dimmen und variable Strobe-Effekte
- Die 3-Phasen-MOONS'-Schrittmotoren gewährleisten sehr schnelle 540°-/270°-Schenk- und Neigebewegungen mit 8- oder 16-Bit-Genauigkeit.
- Modularer Aufbau für unkomplizierte Wartung und Reinigung.
- Drahtloses DMX-Modul optional erhältlich (W-DMX from Sweden)
- 2,8"-Farbtouchscreen mit automatischem Drehen der Anzeige für eine unkomplizierte und intuitive Navigation in den Menüs
- 3 verschiedene DMX-Kanalmodi (17 Kanäle, 24 Kanäle und 25 Kanäle) für maximale Flexibilität
- Einfache Firmware-Updates halten Ihr Gerät immer auf dem neuesten Stand (optionaler Firmware-Updater erforderlich)
- Lampe ferngesteuert ein/auschalten
- Neutrik 3- u. 5-polige XLR®-Ein-/Ausgänge für maximale Flexibilität in einer professionellen Umgebung
- Neutrik PowerCON® Ein-/Ausgänge: Bis zu 16 A können für eine einfache Installation verkettet werden
- Mit Omega-Klemmen für schnelle Installation ausgerüstet.
- Leistungsaufnahme: nur 400 W

## VOR GEBRAUCH

- Vor der Erstbenutzung bitte das Gerät zuerst auf Transportschäden überprüfen. Sollte das Gerät einen Schaden aufweisen, benutzen Sie es nicht, sondern wenden Sie sich unverzüglich an Ihren Händler.
- **Wichtiger Hinweis:** Dieses Gerät hat das Werk unbeschädigt und gut verpackt verlassen. Es ist wichtig, dass der Benutzer sich streng an die Sicherheitshinweise und Warnungen in der Bedienungsanleitung hält. Schäden durch unsachgemäße Handhabung sind von der Garantie ausgeschlossen. Der Händler übernimmt keine Verantwortung für Schäden, die durch Nichtbeachtung der Bedienungsanleitung entstanden sind.
- Die Bedienungsanleitung zum zukünftigen Nachschlagen bitte an einem sicheren Ort aufbewahren. Bei Verkauf oder sonstiger Weitergabe des Geräts bitte die Bedienungsanleitung beifügen.

### Packungsinhalt prüfen:

Bitte überprüfen Sie, ob die Verpackung folgende Artikel enthält:

- BTX-TITAN
- 2 Stk. Schnellverschluss „Omega-Klemmen“
- PowerCON®-Kabel
- Sicherheitskabel
- Bedienungsanleitung

## SICHERHEITSANWEISUNGEN



**ACHTUNG:** Um sich nicht der Gefahr eines elektrischen Schlags auszusetzen, entfernen Sie nicht die obere Abdeckung. Im Geräteinneren befinden sich keine vom Benutzer wartbaren Teile. Überlassen Sie Reparatur- und Wartungsarbeiten dem qualifizierten Kundendienst.



Das Blitzsymbol innerhalb eines gleichseitigen Dreiecks warnt den Benutzer vor nicht isolierter „gefährlicher Spannung“ im Innern des Produktgehäuses, die so stark sein kann, dass für Personen die Gefahr von Stromschlägen besteht.



Das Ausrufezeichen im Dreieck weist den Benutzer auf wichtige Bedienungs- und Wartungshinweise in den Dokumenten hin, die dem Gerät beiliegen.



Dieses Symbol bedeutet: Nur zur Benutzung in geschlossenen Räumen



Dieses Symbol bedeutet: Die Bedienungsanleitung lesen



Dieses Symbol legt fest: Den minimalen Abstand von beleuchteten Objekten. Der minimale Abstand zwischen Projektor und der beleuchteten Fläche muss mehr als 12 Meter betragen



Das Gerät eignet sich nicht für die direkte Montage auf gängigen entflammaren Flächen. (Nur für die Montage auf nicht-brennbaren Flächen geeignet)

- Aus Umweltschutzgründen die Verpackung bitte wiederverwenden oder richtig trennen.
- Ein neuer Lichteffekt kann manchmal zu unerwünschtem Rauch oder Gerüchen führen. Diese Erscheinung ist normal und verschwindet nach einigen Minuten.
- Zur Vermeidung von Feuer und Stromschlag das Gerät weder Regen noch Feuchtigkeit aussetzen.
- Zur Vermeidung von Kondensation im Inneren des Geräts bitte nach dem Transport in eine warme Umgebung einige Zeit zum Temperatúrausgleich ausgeschaltet stehen lassen. Kondensation kann zu Leistungsverlust des Geräts oder gar Beschädigungen führen.
- Nur für den Einsatz in geschlossenen Räumen.
- Keine Metallgegenstände oder Flüssigkeiten ins Innere des Geräts gelangen lassen. Ein Kurzschluss oder eine Fehlfunktion können die Folge sein. Falls es doch einmal vorkommen sollte, bitte sofort den Netzstecker ziehen und vom Stromkreis trennen.
- Das Gerät nur an einem gut belüfteten Ort und entfernt von entflammaren Materialien oder Flüssigkeiten aufstellen. Das Gerät muss mindestens 50 cm von allen umgebenden Wänden entfernt montiert werden.
- Die Ventilationsöffnungen nicht abdecken, da Überhitzungsgefahr.
- Nicht in staubiger Umgebung verwenden und regelmäßig reinigen.
- Für Kinder unerreichbar aufbewahren.
- Unerfahrene Personen dürfen das Gerät nicht bedienen.
- Die Umgebungstemperatur darf 40° C nicht überschreiten. Das Gerät bei höheren Raumtemperaturen nicht verwenden.
- Die Oberflächentemperatur des Geräts kann 85° C erreichen. Das Gerät während des Betriebs nicht berühren.
- Stellen Sie sicher, dass sich während des Auf- oder Abbaus und der Wartung keine unbefugten Personen unterhalb des Geräts befinden.
- Lassen Sie das Gerät etwa 10 Minuten abkühlen, bevor Sie die Lampe ersetzen oder mit der Wartung beginnen.
- Trennen Sie das Gerät vom Netz, wenn es nicht verwendet wird oder wenn Sie Wartungsarbeiten vornehmen oder wenn Sie eine Lampe wechseln.
- Die elektrische Installation darf nur von qualifiziertem Personal, unter Beachtung der Vorschriften zur elektrischen und mechanischen Sicherheit in Ihrem Land durchgeführt werden.
- Vergewissern Sie sich, dass die Netzspannung nicht höher ist, als auf dem Typenschild auf der Geräterückseite angegeben.
- Das Gerät nicht mit einem beschädigten Netzkabel in Betrieb nehmen. Wenn das Netzkabel gequetscht oder beschädigt wurde, schalten Sie das Gerät sofort aus. Im Falle von Beschädigungen muss das Netzkabel vom Hersteller, einem autorisierten Kundendienstmitarbeiter oder einer ähnlich qualifizierten Person ersetzt werden, um Gefährdungen zu vermeiden.
- Lassen Sie das Netzkabel niemals mit anderen Kabeln in Berührung kommen!
- Zur Einhaltung der Sicherheitsbestimmungen muss das Gerät geerdet sein.
- Das Gerät nicht an einen Dimmer anschließen.
- Ausschließlich vorschriftsmäßige und zugelassene Sicherheitskabel zur Installation verwenden.

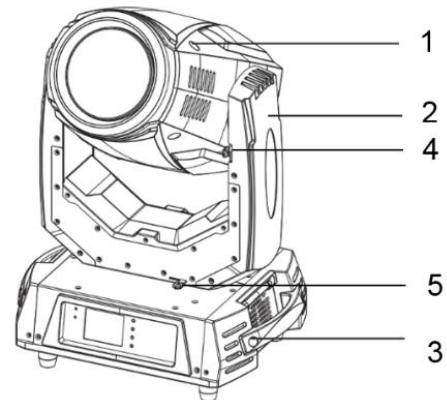
- Zur Vorbeugung gegen elektrische Schläge keine Abdeckungen entfernen. Außer der Lampe und der Sicherung hat das Gerät keine vom Benutzer austauschbaren Teile.
- Eine Sicherung niemals reparieren oder überbrücken. Stets tauschen Sie eine beschädigte Sicherung gegen eine Sicherung gleichen Typs und gleicher Spezifikationen aus!
- Bei Fehlfunktion das Gerät nicht benutzen und sich sofort mit dem Händler in Verbindung setzen.
- Bei sichtbaren Beschädigungen müssen Gehäuse und Optik ersetzt werden.
- Bei Transport bitte die Originalverpackung verwenden, um Schäden am Gerät zu vermeiden.
- Aus Sicherheitsgründen dürfen an dem Gerät keine unbefugten Veränderungen vorgenommen werden.

**Wichtiger Hinweis:** Nicht direkt in die Lichtquelle blicken! Das Gerät nicht verwenden, wenn sich Personen im Raum befinden, die unter Epilepsie leiden.

## BESCHREIBUNG:

### GERÄT:

1. Kopf
2. Arm
3. Gerätebasis
4. Selbstverriegelnder Neigungsarmhalter
5. Selbstverriegelnder Schwenkhalter

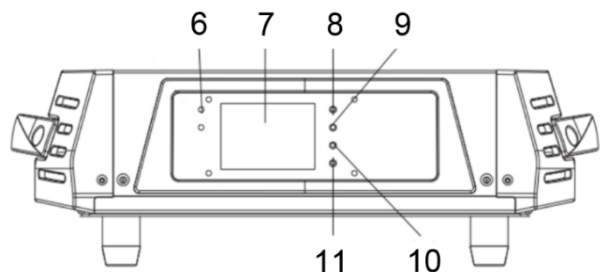


### Achtung: Der Kopf und der Arm müssen vor der Inbetriebnahme entriegelt werden!

- Der Neigemechanismus kann alle 45° verriegelt und gelöst werden
- Der Schwenkmechanismus kann alle 45° verriegelt und gelöst werden

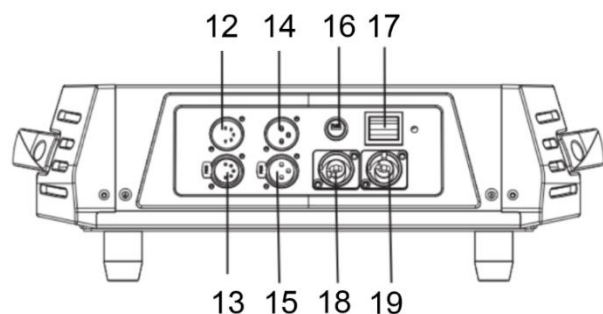
### BEDIENFELD:

6. Drahtlos-DMX-LED
7. LCD-Touchscreen-Anzeige
8. MODUS-Taste
9. AUFWÄRTS-Pfeiltaste
10. ABWÄRTS-Pfeiltaste
11. EINGABE-Taste



### Rückseite:

12. 5-poliger DMX-XLR-Ausgang
13. 5-poliger DMX-XLR-Eingang
14. 3-poliger DMX-XLR-Ausgang
15. 3-poliger DMX-XLR-Eingang
16. Hauptsicherung
17. Netzschalter
18. PowerCon®-Eingang
19. PowerCon®-Ausgang



**Tip:** Bitte besuchen Sie unsere Website für Spezialkabelkonfektionen, die sowohl Netz- (3 x 1,5 mm<sup>2</sup> mit Neutrik-PowerCON®) als auch symmetrische Signalleitungen (XLR 3-polig) in einem Kabel enthalten. Es sind verschiedene Längen verfügbar: 1,3 m, 3 m, 5 m und 10 m, sehr praktisch!

## LAMPE (AUSTAUSCHEN) EINSETZEN



Im Falle eines Austauschs der Lampe oder einer Wartung, das Gerät erst 10 Minuten nach dem Ausschalten öffnen, wenn es sich abgekühlt hat. Ziehen Sie vor der Wartung stets den Netzstecker des Geräts! Verwenden Sie zum Austausch stets identische Ersatzteile (Lampen, Sicherungen usw.). Bitte nur Original-Ersatzteile verwenden.

Während des Betriebs der Entladungslampe besteht Explosionsgefahr wegen ihres hohen Innendrucks. Die UV-Lampe gibt intensive UV-Strahlung ab, die für Augen und Haut schädlich ist. Die hohe Leuchtdichte des Lichtbogens kann schwere Schäden an der Netzhaut verursachen, wenn Sie direkt in die Lampe schauen.

Um die Lampe zu schützen, schalten Sie stets zuerst die Lampe aus (über das Bedienfeld oder den DMX-Controller) und lassen Sie das Gerät mindestens fünf Minuten zum Abkühlen laufen, bevor Sie die Netzversorgung ausschalten. Hantieren Sie niemals mit der Lampe oder der Leuchte, wenn sie heiß ist. Tragen Sie Handschuhe und berühren Sie die Birne niemals mit bloßen Händen. Falls dies geschehen ist, reinigen Sie die Lampe mit denaturiertem Alkohol und wischen Sie sie vor der Installation mit einem fusselfreien Tuch ab.

Beim Aufleuchten arbeitet die Lampe unter hohem Druck und es besteht die Gefahr eines Bruchs der Entladungsröhre. Das Risiko steigt mit Alter, Temperatur und unsachgemäßer Handhabung der Lampe. Setzen Sie die Lampe nicht länger als ihre Lebensdauer ein.

Achten Sie darauf, dass sich die Lampe für die beste Projektion in der Mitte des Reflektors befindet.

- Schalten Sie das Gerät aus und ziehen Sie den Netzstecker.
- Warten Sie ca. 10 Minuten, bis sich das Gerät abgekühlt hat.
- Lösen Sie mit einem Schraubendreher die Schrauben (A-B-C) der hinteren Abdeckung des Geräts. (Abbildung 1)

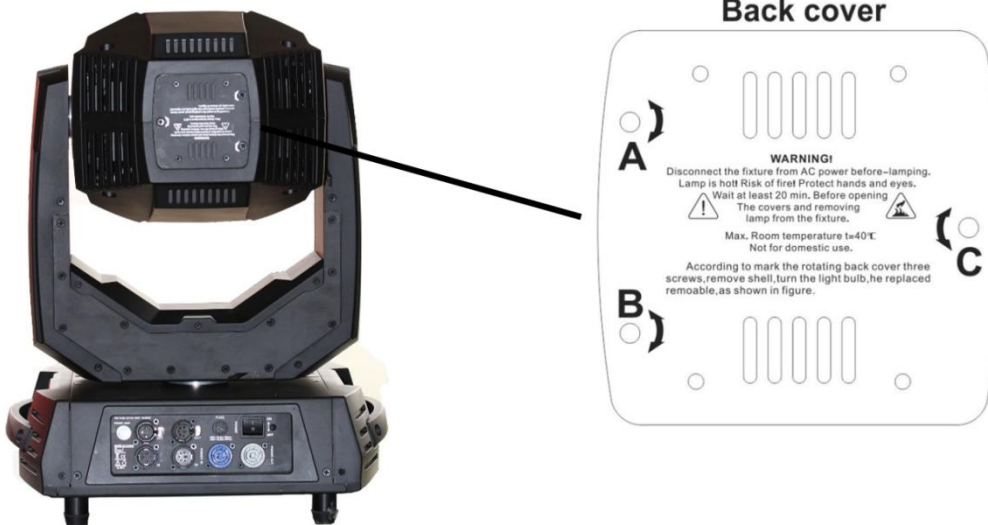


Abbildung 1 – Hintere Abdeckung

Dahinter befindet sich das OSRAM-Leuchtmittel „Sirius HRI 280W E20.6“ (Abbildung 2)

**Achtung:** Tragen Sie Handschuhe und berühren Sie die Birne niemals mit bloßen Händen. Falls dies geschehen ist, reinigen Sie die Lampe mit denaturiertem Alkohol und wischen Sie sie vor der Installation mit einem fusselfreien Tuch ab. Andernfalls würde die Lebensdauer des neuen Leuchtmittels verkürzt!



Abbildung 7 - OSRAM Sirius HRI 280W

- Ziehen Sie die Kabel vorsichtig von den Anschlüssen des Leuchtmittels ab (Abbildung 3)

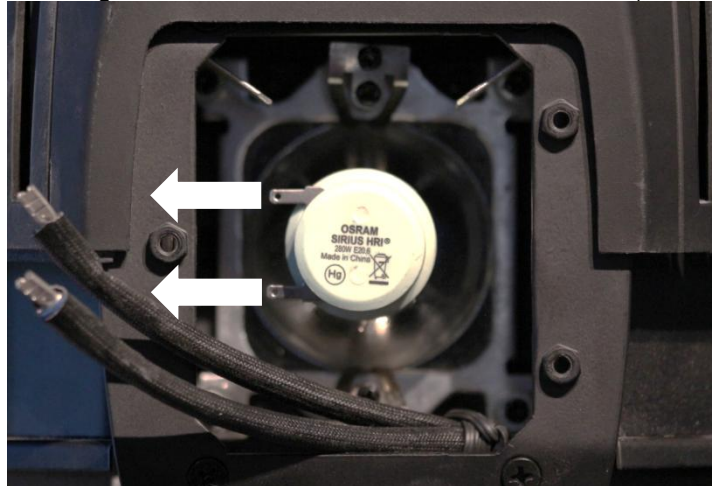


Abbildung 3 – Kabel sind abgezogen

- Es müssen keine weiteren Schrauben gelöst werden, um das Leuchtmittel herauszunehmen, Sie müssen lediglich die zwei Metallteile, die das Leuchtmittel fixieren, VORSICHTIG bewegen. Halten Sie das Leuchtmittel bei diesem Vorgang am Sockel fest (Abbildung 4)

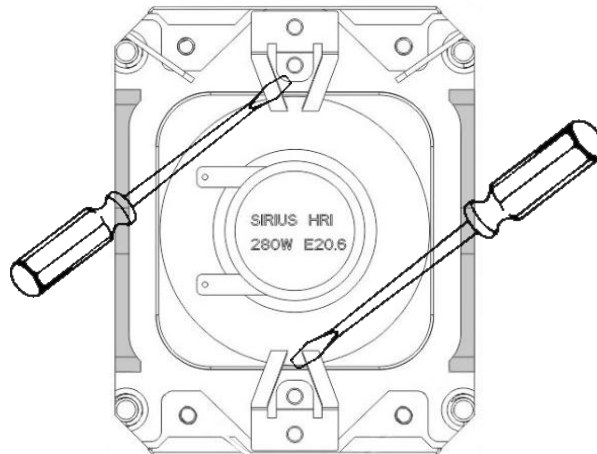


Abbildung 48 – Die Metallhalterung des Leuchtmittels VORSICHTIG bewegen

- Nehmen Sie das Leuchtmittel aus dem Kopf des BTX-TITAN (Abbildung 5)

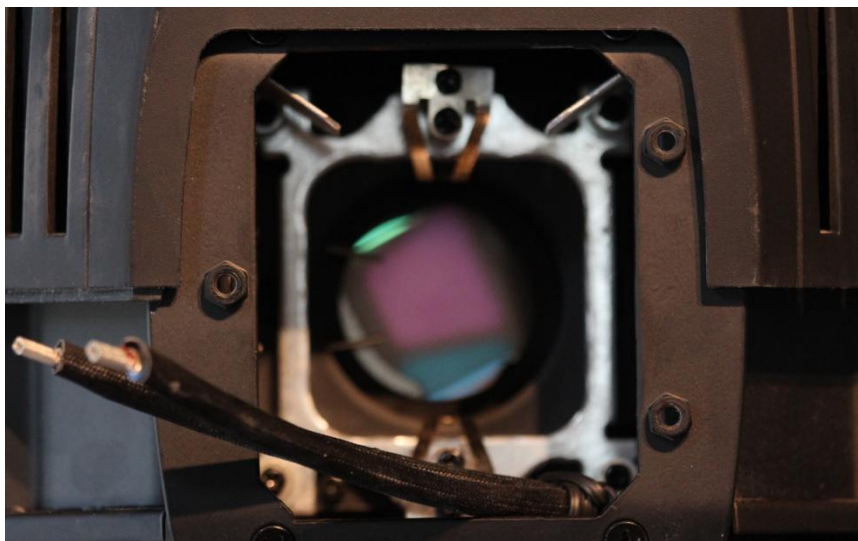
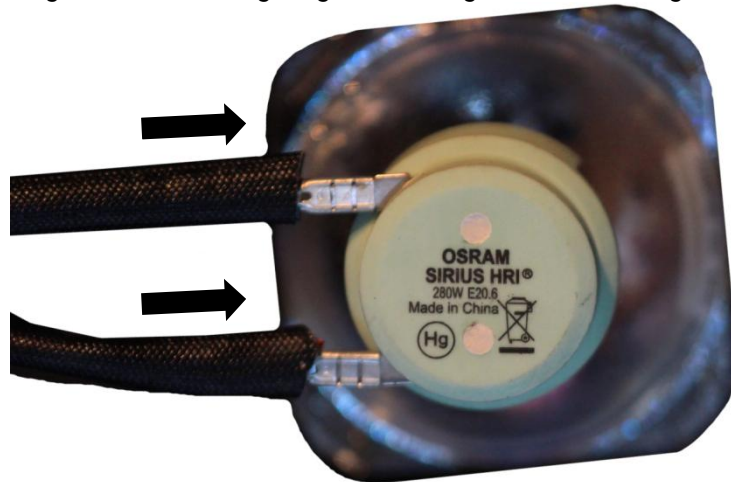


Abbildung 5 – Das Leuchtmittel wurde aus dem Kopf des BTX-TITAN genommen

- Schließen Sie die Kabel an das neue Leuchtmittel OSRAM „Sirius HRI 280W E20.6“ an  
**Wichtiger Hinweis:** Verwenden Sie nur das Originalleuchtmittel „Philips MSD Platinum 2R“; andere Leuchtmittel haben möglicherweise eine geringere Leistung oder können sogar das Gerät beschädigen.



- Setzen Sie das neue Leuchtmittel in die Halterung ein und drücken Sie darauf, bis die zwei Metallhalter das Leuchtmittel korrekt fixieren.
- Schalten Sie das Gerät wieder ein und verwenden Sie einen DMX-Controller, um den offenen Lichtstrahl auf eine Wand zu richten.  
**Achtung:** Schauen Sie nicht in das Licht, das direkt vom Leuchtmittel im Gerät ausgeht, denn die UV-Strahlung des Leuchtmittels ist schädlich für die Augen. (Das Licht des Lichtstrahls geht zuerst durch einen UV-Filter.)
- In dem auf die Wand gerichteten Lichtstrahl sehen Sie einen helleren Bereich (Hotspot). Stellen Sie den Hotspot mit den Schrauben ein, wie in Abbildung 6 dargestellt. Der Hotspot sollte sich nach Möglichkeit in der Mitte des Lichtstrahls befinden.

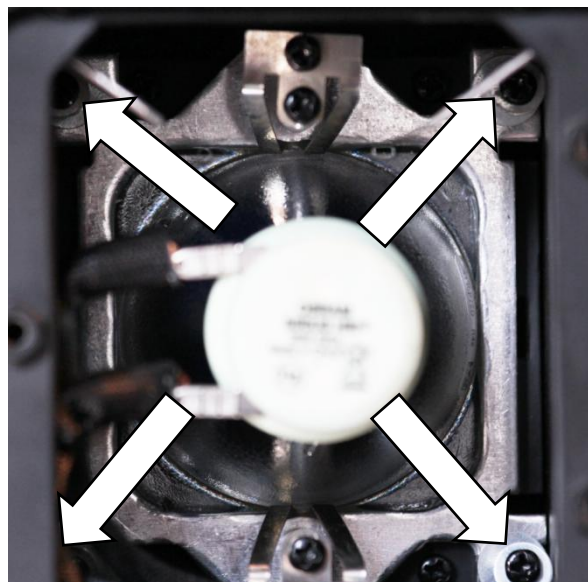


Abbildung 6 – Einstellschrauben für den Hotspot

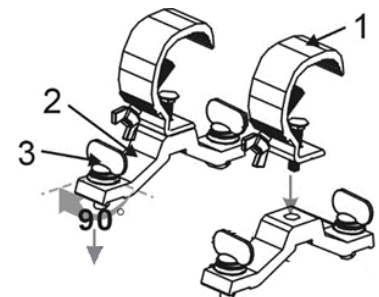
- Schließen Sie die Abdeckung wieder
- Fertig

## ÜBERKOPF-MONTAGE

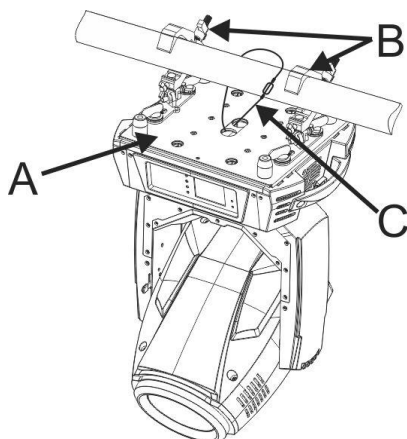
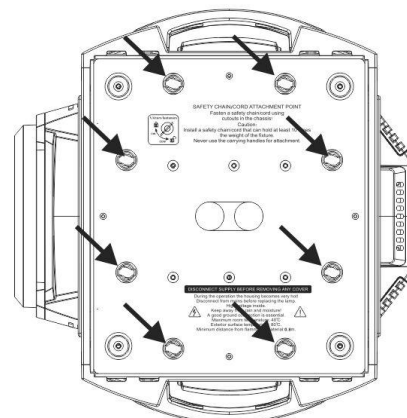
- **Wichtiger Hinweis:** Die Montage ausschließlich von qualifiziertem Fachpersonal durchführen lassen. Unvorschriftsmäßige Montage kann erhebliche Verletzungen bzw. Schäden verursachen. Die Überkopf-Montage setzt die entsprechende Erfahrung voraus! Die Belastungsgrenzen müssen beachtet, geeignetes Installationsmaterial muss verwendet und das installierte Gerät muss in regelmäßigen Abständen überprüft werden.
- Stellen Sie sicher, dass sich während des Auf- oder Abbaus und der Wartung keine unbefugten Personen unterhalb des Geräts befinden.
- Das Gerät nur an einem gut belüfteten Ort und entfernt von entflammaren Materialien bzw. Flüssigkeiten aufstellen. Das Gerät muss **mindestens 50 cm** von allen umgebenden Wänden entfernt montiert werden.
- Das Gerät außerhalb der Reichweite von Personen und nicht in niedrigen Durchgängen oder in der Nähe von Sitzgelegenheiten installieren.
- Vor Montage sicherstellen, dass die gewählte Position wenigstens das 10-fache Gerätegewicht aufnehmen kann.
- Zur Aufhängung stets geeignetes Befestigungsmaterial verwenden, das das 12-fache Gerätegewicht aushalten kann. Eine zweite Sicherungsaufhängung muss angebracht werden, die ein Absacken des Geräts von mehr als 20 cm verhindert, sollte die Befestigung brechen.
- Das Gerät gut befestigen. Eine freischwingende Aufhängung ist gefährlich und sollte auf gar keinen Fall in Betracht gezogen werden!
- Die Ventilationsöffnungen nicht abdecken, da Überhitzungsgefahr.
- Der Betreiber muss sicherstellen, dass die sicherheitsrelevanten und technischen Installationen vor Erstbetrieb fachmännisch vorgenommen worden sind. Installationen sollten jährlich durch qualifiziertes Fachpersonal überprüft werden, um jederzeit einen sicheren Betrieb zu gewährleisten.

### Installation:

- Befestigen Sie die Trägerhaken (1) mit einer Schraube und Kontermutter an den Omega-Klammern.
- Befestigen Sie die Omega-Klammern (2) auf der Unterseite der Basis, indem Sie Schnellverriegelungs-Befestigungselemente (3) in die Bohrungen der Basis einsetzen und diese vollständig im Uhrzeigersinn festziehen.



### Löcher für Omega-Halter



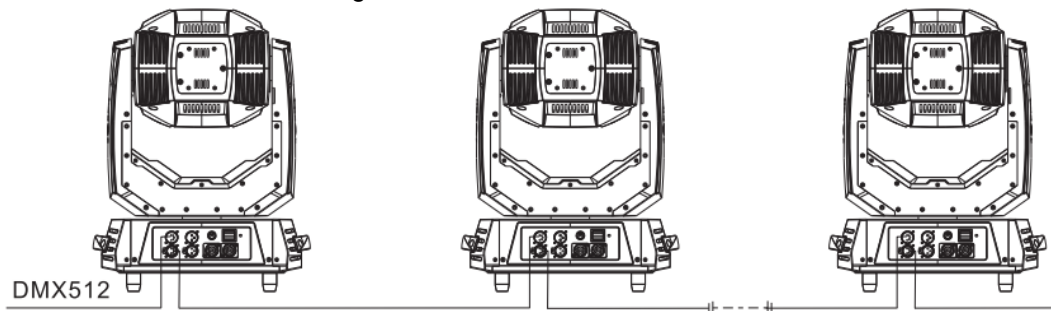
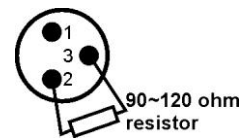
- A = Trägerplatte
- B = Schnellklemmen
- C = Sicherungskabel/Sicherungskette

## ELEKTRISCHE INSTALLATION + ADRESSIERUNG

**! Wichtiger Hinweis:** Die elektrische Installation darf nur von qualifiziertem Personal, unter Beachtung der Vorschriften zur elektrischen und mechanischen Sicherheit in Ihrem Land durchgeführt werden.

### Elektrische Installation von zwei oder mehreren Geräten im DMX-Modus:

- Das DMX-Protokoll ist die am meisten benutzte Hochgeschwindigkeits-Signalübertragung, um intelligente Lichtanlagen zu steuern. Sie müssen Ihren DMX-Controller und alle angeschlossenen Geräte mit einem hochwertigen symmetrischen Kabel hintereinander schalten (Daisy Chain).
- Es werden sowohl 3-polige als auch 5-polige-XLR-Stecker benutzt, allerdings ist der 3-polige XLR-Stecker gängiger, da diese Kabel mit symmetrischen Audiokabeln kompatibel sind.  
Steckerbelegung 3-poliger XLR-Verbinder: Pin1 = MASSE ~ Pin2 = Negatives Signal (-) ~ Pin3 = Positives Signal (+)  
Stiftnummerung 5-poliger XLR-Stecker: Pin1 = GND (Masse) - Pin2 = Negatives Signal (-) - Pin3 = Positives Signal (+) ~ Pins 4 u. 5 werden nicht verwendet.
- Um ein seltsames Verhalten der DMX-Geräte aufgrund von Interferenzen zu verhindern, müssen Sie am Ende der Kette einen 90-Ω- bis 120-Ω-Abschlusswiderstand verwenden. Verwenden Sie niemals Y-Splitter-Kabel, das funktioniert einfach nicht!
- Vergewissern Sie sich, dass alle Geräte an die Netzleitung angeschlossen wurden.
- Jeder Lichteffekt in der Kette muss seine eigene Startadresse haben, damit er erkennt, welche Befehle der Controller entschlüsseln muss. Im folgenden Abschnitt erfahren Sie, wie man die DMX-Adressen einstellt.



## BEDIENUNGSANLEITUNG

- Schalten Sie die Anlage nicht in kurzen Abständen ein oder aus, da dies die Lebensdauer der Lampen verkürzt.
- Stets den Netzstecker ziehen, wenn das Gerät für längeren Zeitraum nicht genutzt, die Lampe gewechselt oder das Gerät gewartet wird.
- Bei Fehlfunktion das Gerät nicht benutzen und sich sofort mit dem Händler in Verbindung setzen.
- **Wichtiger Hinweis:** Nicht direkt in die Lichtquelle blicken! Das Gerät nicht verwenden, wenn sich Personen im Raum befinden, die unter Epilepsie leiden.

### MENÜ

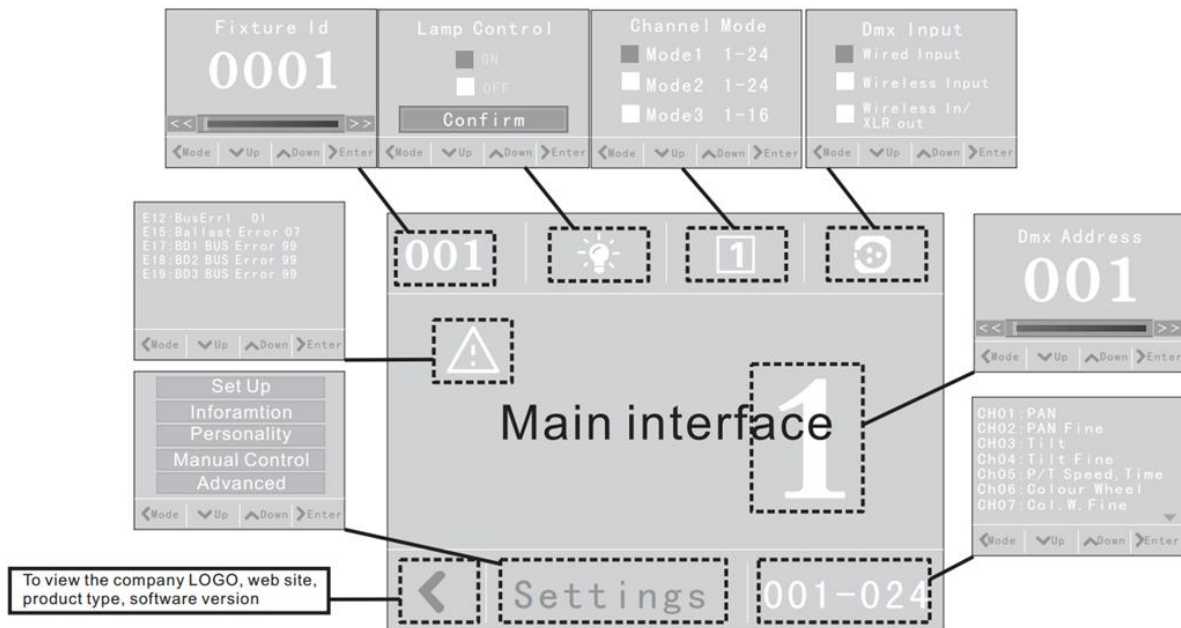
Sie können die Tasten oder den Touchscreen verwenden, um im Einstellmenü mit seinen verschiedenen Untermenüs zu navigieren. Einstellungen wie DMX-Adresse, verschiedene Funktionen usw. können Sie problemlos ändern.

- Verwenden Sie die AUFWÄRTS-/ABWÄRTS-Pfeiltasten für die Navigation im Menü und zum Ändern der Werte für die ausgewählten Funktionen.
- Wenn Sie einen Menüeintrag wählen oder eine Einstellung ändern, müssen Sie zur Bestätigung die EINGABE-Taste drücken.
- Drücken Sie die MENÜ-Taste, um zum (vorherigen) Menü zurückzugehen.

### TOUCHSCREEN – AUFBAU DES HAUPTMENÜS:

Wenn das Gerät eingeschaltet wird, zeigt das Display zuerst das BriteQ-Logo und dann das Hauptmenü an (siehe unten). Das Hauptmenü ist in drei verschiedene Bereiche (Symbole) gegliedert. Sie können auf diese Symbole drücken, die in Wirklichkeit Verknüpfungen sind, um verschiedene Teile des Einstellmenüs direkt aufzurufen (siehe Abbildung).





## GERÄTE-ID

Die Geräte-ID (zwischen 0001 und 9999) erleichtert die Installation, da jedes Produkt durch eine eindeutige Nummer identifiziert werden kann. Dank der eingebauten Batterie muss das Gerät nicht an die Stromversorgung angeschlossen werden, um die Geräte-ID einzustellen oder auszulesen.

Um die Geräte-ID zu ändern, ist ein Passwort erforderlich: Das Passwort lautet „1702“.

## LAMPENSTEUERUNG


Die Lampe ein- oder ausschalten

## KANALMODUS


Den Kanalmodus des BriteQ BTX-TITAN einstellen:

- **Modus 1:** 24 Kanäle
- **Modus 2:** 25 Kanäle
- **Modus 3:** 17 Kanäle

## DMX-EINGANG

 **leuchtet grün:**

Das empfangene DMX-Signal ist in Ordnung.

 **leuchtet rot und LCD blinkt:**

Das empfangene DMX-Signal ist Nicht in Ordnung oder es wurde kein DMX-Signal empfangen.

Dient zum Einstellen des gewünschten Eingangs für das DMX-Signal:

- **Drahtgebundener Eingang:** XLR-Eingang (3- oder 5-polig) wird verwendet.
- **Drahtloser Eingang:** DMX-Signal kommt von einem externen drahtlosen Sender (separat erhältlich)
- **Drahtloser Eingang/XLR-Ausgang:** DMX-Signal kommt von einem externen drahtlosen Sender (separat erhältlich). Das drahtlose DMX-Signal ist auch am DMX-Ausgang (3- oder 5-polig) für den Anschluss weiterer Geräte in Reihe verfügbar.

**Wichtig:** Im Originalzustand ist dieser Projektor NICHT mit einem Drahtlos-Empfangsmodul ausgestattet. Ein Drahtlos-Empfangsmodul ist optional erhältlich.


## DMX-ADRESSE

Die DMX-Adresse stellen Sie ein, indem Sie mindestens 2 Sekunden auf die Mitte des Bildschirms drücken (ein gelber Fortschrittsbalken wird angezeigt) und das Feld „DMX-Adresse“ wird angezeigt. Die DMX-Adresse kann mit dem Schieber auf dem Touchscreen oder mit der Taste „+“ und „-“ geändert werden. Mit dem „>>“-Symbol wird die letzte gültige DMX-Adresse gemäß dem gewählten Kanalmodus festgelegt. Mit „<<“ wird die Adresse auf 1 gestellt. Bestätigen Sie die DMX-Adresse, indem Sie auf EINGABE drücken. Das Hauptmenü wird jetzt aktualisiert, und der DMX-Bereich, den das Produkt verwendet, wird unten rechts auf dem Bildschirm angezeigt.

**KANALLISTE**

Wenn Sie auf den DMX-Adressbereich xxx-xxx im Hauptmenü drücken, wird die DMX-Tabelle gemäß dem gewählten Kanalmodus angezeigt.

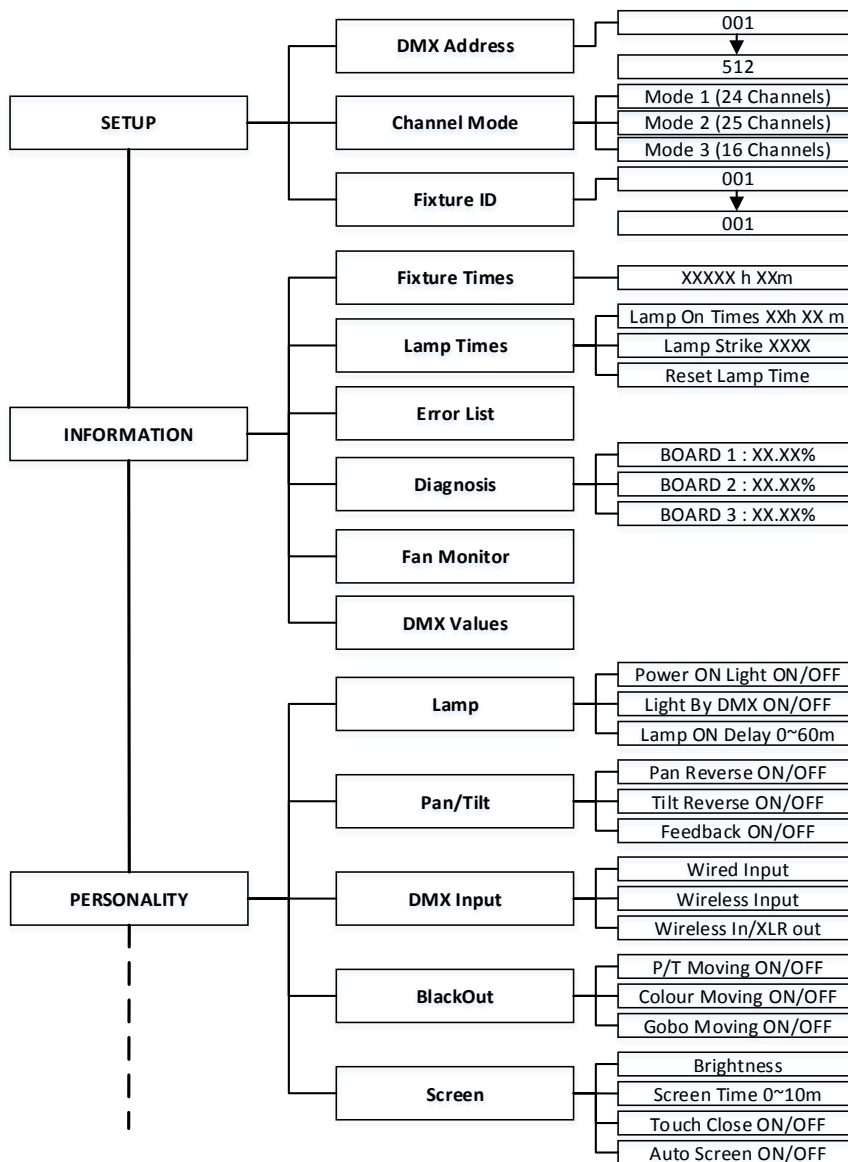
**FEHLERMELDUNGEN **

Wenn Sie auf das -SYMBOL drücken, wird eine Liste mit Fehlermeldungen angezeigt. Bitte überprüfen Sie diese anhand der Liste der Fehlercodes am Ende der Bedienungsanleitung.

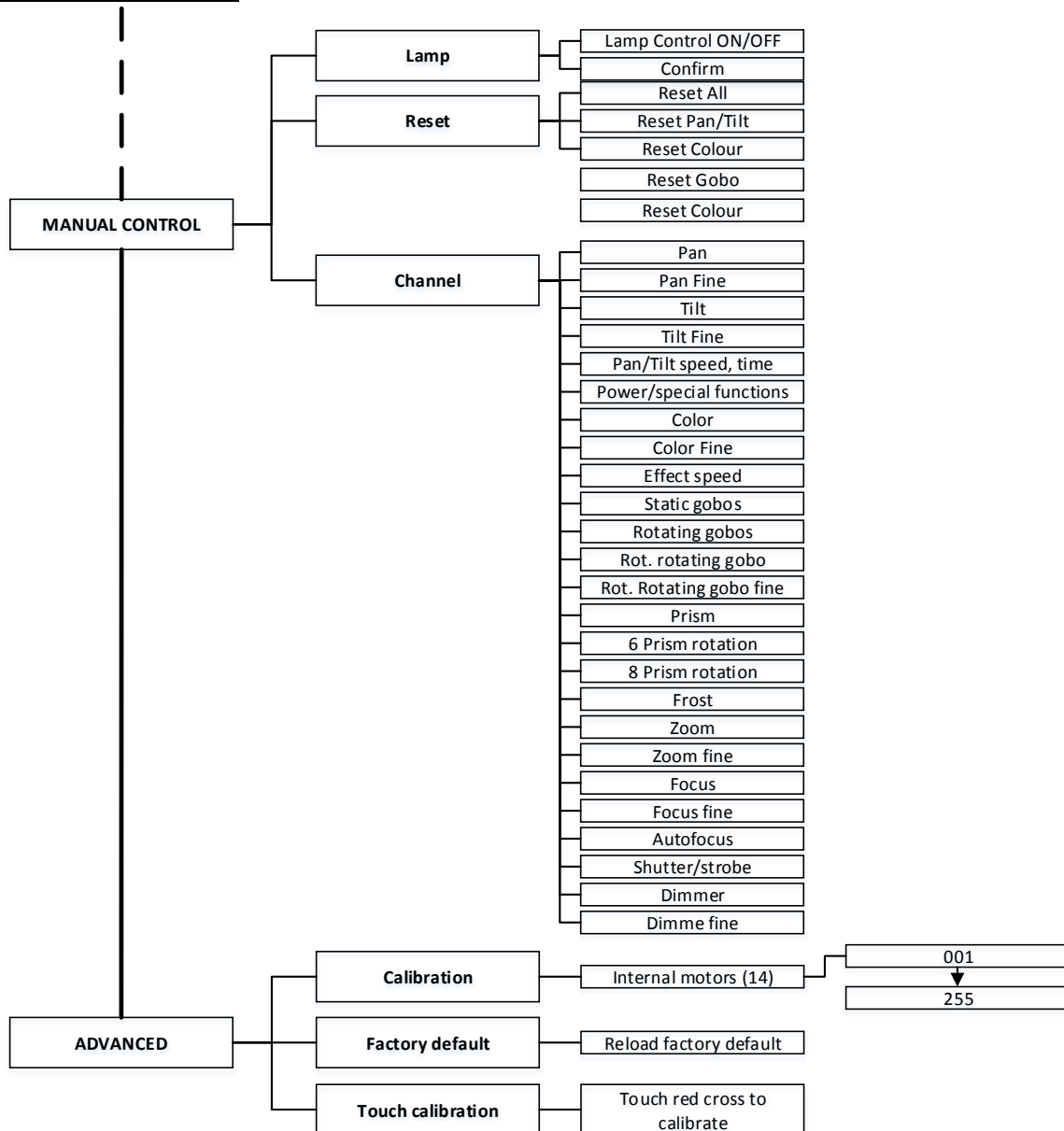
**EINSTELLMENÜ**

Drücken Sie auf „Einstellungen“ auf dem Bildschirm, um das Einstellmenü zu öffnen. Verwenden Sie zum Navigieren die AUFWÄRTS-/ABWÄRTS-, MODUS- und Eingabe-Tasten.

**MENÜ-SCHEMA – 1. TEIL**



**MENÜ-SCHEMA – 2. TEIL**



**EINSTELLUNGEN DMX-ADRESSE**

Die DMX-Adresse stellen Sie ein, indem Sie mindestens 2 Sekunden auf die Mitte des Bildschirms drücken (ein gelber Fortschrittsbalken wird angezeigt) und das Feld „DMX-Adresse“ wird angezeigt. Die DMX-Adresse kann mit dem Schieber auf dem Touchscreen oder mit der Taste „+“ und „-“ geändert werden. Mit dem „>>“-Symbol wird die letzte mögliche DMX-Adresse gemäß dem gewählten Kanalmodus festgelegt. Mit „<<“ wird die Adresse auf 1 gestellt. Stellen Sie die DMX-Adresse durch Drücken auf EINGABE ein. Das Hauptmenü wird jetzt aktualisiert, und der DMX-Bereich, den das Produkt verwendet, wird unten rechts auf dem Bildschirm angezeigt.

**EINSTELLUNGEN KANALMODUS**

Den Kanalmodus des BriteQ BTX-TITAN einstellen:

- **Modus 1:** 24 Kanäle
- **Modus 2:** 25 Kanäle
- **Modus 3:** 17 Kanäle

**EINSTELLUNGEN GERÄTE-ID**

Die Geräte-ID (zwischen 0001 und 9999) erleichtert die Installation, da jedes Produkt durch eine eindeutige Nummer identifiziert werden kann. Dank der eingebauten Batterie muss das Gerät nicht an die

Stromversorgung angeschlossen werden, um die Geräte-ID einzustellen oder auszulesen.  
Um die Geräte-ID zu ändern, ist ein Passwort erforderlich: Das Passwort lautet „1702“.

**INFORMATION BETRIEBSSTUNDEN GERÄT**

Zeigt die Laufzeit des Gerätes (in Stunden) seit dem ersten Einschalten an.

**INFORMATION BETRIEBSSTUNDEN LAMPE**

**Lampe-an-Stunden:** Zeigt die Gesamtzahl der Stunden mit eingeschalteter Lampe seit dem ersten Einschalten an

**Lampenzündungen:** Gibt die Gesamtzahl der Lampenzündungen seit dem ersten Einschalten an

**Lampenbetriebsstunden zurücksetzen:** Die Gesamtzahl der Stunden mit eingeschalteter Lampe seit dem ersten Einschalten zurücksetzen.

Sollte nach dem Wechseln des Leuchtmittels vorgenommen werden.

**INFORMATION FEHLERLISTE**

Wenn ein Fehler erkannt wird, wird hier eine Fehlerliste angezeigt. Wenn kein Fehler vorliegt, wird standardmäßig Folgendes angezeigt: „kein Fehler“.

**INFORMATION DIAGNOSE**

Zeigt den Status jeder Platine an. Sollte eine der Elektronikplatinen nicht 100-prozentig in Ordnung sein, wenden Sie sich an den technischen Kundendienst.

**INFORMATION LÜFTER-ÜBERWACHUNG**

Zeigt die Geschwindigkeit der Lüfter an. Geschwindigkeit in Umdrehungen pro Minute.

**INFORMATION DMX-WERT**

Zeigt den DMX-Wert an, den der Briteq BTX-TITAN am DMX-Eingang empfangen hat. Kann als DMX-Analysehilfe verwendet werden, um die empfangenen Werte zu prüfen.

**PERSONALISIERUNG LAMPE****Licht einschalten (ein/aus):**

- **Ein:** Beim Anschalten die Lampe einschalten.
- **Aus:** Die Lampe muss über das lokale Menü oder über DMX eingeschaltet werden.

**Lampe per DMX einschalten (ein/aus):**

- **Ein:** Lampe kann per DMX eingeschaltet werden.
- **Aus:** Lampe kann nicht per DMX eingeschaltet werden.

**Lampeneinschaltverzögerung (0–60 min):**

Die Lampe wird automatisch 0–60 Minuten nach dem Einschalten des Projektors eingeschaltet. Die Einschaltverzögerung kann bei dauerhafter Installation nützlich sein.

**PERSONALISIERUNG SCHWENKEN NEIGEN****Schwenken invertieren (ein/aus)**

- **Ein:** Schwenken funktioniert in umgekehrter Richtung
- **Aus:** Schwenken funktioniert normal

**Neigen invertieren (ein/aus)**

- **Ein:** Neigen funktioniert in umgekehrter Richtung
- **Aus:** Neigen funktioniert normal

**Feedback (ein/aus)**

- **Ein:** Schwenk-/Neigungsposition wird automatisch korrigiert.
- **Aus:** Schwenk-/Neigungsposition wird nicht korrigiert.

**PERSONALISIERUNG DMX-EINGANG**

Dient zum Einstellen des gewünschten Eingangs für das DMX-Signal:

- **Drahtgebundener Eingang:** XLR-Eingang (3- oder 5-polig) wird verwendet.
- **Drahtloser Eingang:** DMX-Signal kommt von einem externen drahtlosen Sender (separat erhältlich)
- **Drahtloser Eingang/XLR-Ausgang:** DMX-Signal kommt von einem externen drahtlosen Sender

(separat erhältlich). Das drahtlose DMX-Signal ist auch am DMX-Ausgang (3- oder 5-polig) für den Anschluss weiterer Geräte in Reihe verfügbar.

**Wichtig:** Im Originalzustand ist dieser Projektor NICHT mit einem Drahtlos-Empfangsmodul ausgestattet. Ein Drahtlos-Empfangsmodul ist optional erhältlich.

### **PERSONALISIERUNG DUNKEL**

#### **Schwenk-/Neigungsbewegung (ein/aus)**

- **Ein:** Dunkel während Schwenk-/Neigungsbewegung
- **Aus:** Nicht dunkel während Schwenk-/Neigungsbewegung

#### **Farbwechsel (ein/aus)**

- **Ein:** Dunkel während Farbwechsel
- **Aus:** Nicht dunkel während Farbwechsel

#### **Gobowechsel (ein/aus)**

- **Ein:** Dunkel während Gobowechsel
- **Aus:** Nicht dunkel während Gobowechsel

### **PERSONALISIERUNG BILDSCHIRM**

#### **Helligkeit**

Die Helligkeit des Bildschirms einstellen

#### **Bildschirmabschaltung**

Stellen Sie eine Verzögerung von 0 bis 10 Minuten ein, nach der die Menüoberfläche automatisch beendet und der Bildschirm abgeschaltet wird.

#### **Touchscreen (ein/aus)**

- **Ein:** Der Touchscreen ist aktiv.
- **Aus:** Der Touchscreen ist nicht aktiv, die Navigation in den Menüs ist nur mit den Tasten möglich.

#### **Automatisches Drehen (ein/aus)**

- **Ein:** Der Bildschirm wird je nach dem Winkel des Briteq BTX-TITAN automatisch gedreht.
- **Aus:** Die Ausrichtung des Bildschirms ist statisch

### **MANUELLE STEUERUNG LAMPE**

**Lampensteuerung (ein/aus):** Die Lampe manuell ein-/ausschalten

### **MANUELLE STEUERUNG ZURÜCKSETZEN**

**Alles zurücksetzen:** Alle Funktionen des BriteQ BTX-TITAN zurücksetzen  
**Schwenken/Neigen zurücksetzen:** Schwenken und Neigen zurücksetzen  
**Farbe zurücksetzen:** Farbrad zurücksetzen  
**Gobo zurücksetzen:** Goborad zurücksetzen  
**Andere zurücksetzen:** Alle anderen Funktionen zurücksetzen

### **MANUELLE STEUERUNG KANAL**

Den Wert für jeden Kanal manuell ändern. Dies ist eine einfache Möglichkeit, das Gerät ohne DMX-Konsole schnell zu testen.

### **ERWEITERT KALIBRIERUNG**

Kalibrierung der 14 integrierten Motoren. Geschwindigkeit kann von 001 bis 255 eingestellt werden. Das Passwort für die Kalibrierung lautet „0088“.

### **ERWEITERT WERKSEINSTELLUNGEN**

Die Werkseinstellungen wieder herstellen.

### **ERWEITERT TOUCHSCREEN KALIBRIEREN**

Den Touchscreen durch Drücken des roten Kreuzes auf dem Bildschirm neu kalibrieren.

## DMX-KANAL (VOLLSTÄNDIGE VERSION)

Das Gerät verfügt über 3 verschiedene DMX-Modi:

- **24-Kanal-Modus:** Der Modus mit vollständiger Funktionalität
- **25-Kanal-Modus:** Erweiterter Modus mit vollständiger Funktionalität mit separater Steuerung der Drehgeschwindigkeit für beide Prismen.
- **17-Kanal-Modus:** Einfacher Modus mit eingeschränkter Funktionalität

24 Kanäle	25 Kanäle	17 Kanäle	WERT	FUNKTION		
1	1	1	000-255	SCHWENKEN		
2	2		000-255	LEICHTES SCHWENKEN (niederwertigstes Bit)		
3	3	2	000-255	KIPPEN		
4	4		000-255	LEICHTES KIPPEN (niederwertigstes Bit)		
5	5	3	000-255	SCHWENKEN/KIPPEN-GESCHWINDIGKEIT (schnell bis langsam)		
6	6	4		<b>Spezielle Funktionen</b>		
			000 - 009	Reserviert		
			<b>+ WICHTIG + Zur Aktivierung der folgenden Funktionen sollte der Shutter/das Stroboskop des gewählten Gerätes länger als 3 Sek. geschlossen sein (DMX-Wert 0–31), um die Spezialfunktionen zu bestätigen</b>			
			010 - 014	DMX-Eingang: Drahtgebundenes DMX*		
			015 - 019	DMX-Eingang: Drahtloses DMX*		
			020 - 024	Energiesparmodus (Lampenleistung 230 W)		
			025 - 029	Standardmodus (Lampenleistung 280 W)		
			030 - 049	Reserviert		
			050 - 059	Schwenk-/Neigegeschwindigkeitsmodus		
			060 - 069	Schwenk-/Neigedauermodus		
			070 - 079	Dunkel während Schwenk-/Neigebewegung		
			080 - 089	Dunkel während Schwenk-/Neigebewegung deaktiviert		
			090 - 099	Dunkel während Bewegung des Farbrades		
			100 - 109	Dunkel während Bewegung des Farbrades deaktiviert		
			110 - 119	Dunkel während Bewegung des Goborades		
			120 - 129	Dunkel während Bewegung des Goborades deaktiviert		
			130 - 139	Lampe an, zurücksetzen (allgemeines Zurücksetzen außer Schwenken/Neigen zurücksetzen)		
			140 - 149	Schwenken/Neigen zurücksetzen		
			150 - 159	Farbsystem zurücksetzen		
			160 - 169	Goboräder zurücksetzen		
			170 - 179	Dimmer/Shutter		
			180 - 189	Zoom/Scharfstellung/Prisma zurücksetzen		
			190 - 199	Reserviert		
			200 - 209	Alles zurücksetzen		
210 - 229	Reserviert					
230 - 239	Lampe aus					
240 - 255	Reserviert					
7	7	5		<b>FARBE</b>		
			000 - 008	Offen/weiß		
			009 - 017	Dunkelrot		
			018 - 026	Dunkelblau		
			027 - 036	Gelb		

			037 - 045	Grün
			046 - 054	Magenta
			055 - 063	Blau
			064 - 072	Rot
			073 - 081	Dunkelgrün
			082 - 090	Gelb
			091 - 100	Blau
			101 - 109	Orange
			110 - 118	CTO
			119 - 127	UV-Filter
			128 - 129	Weiß
			<b>Position</b>	
			130 - 134	Dunkelrot
			135 - 138	Dunkelblau
			139 - 143	Gelb
			144 - 147	Grün
			148 - 152	Magenta
			153 - 157	Blau
			158 - 161	Rot
			162 - 166	Dunkelgrün
			167 - 171	Gelb
			172 - 176	Blau
			177 - 180	Orange
			181 - 185	CTO
			186 - 189	UV-Filter
			190 - 215	Regenbogeneffekt vorwärts mit abnehmender Geschwindigkeit
			216 - 217	Keine Rotation
			218 - 243	Regenbogeneffekt rückwärts mit zunehmender Geschwindigkeit
			244 - 249	Zufällige Farbwahl tongesteuert
			<b>Zufällige Farbwahl tongesteuert</b>	
			250 - 255	Zufällige Farbwahl automatisch mit abnehmender Geschwindigkeit
<b>8</b>	<b>8</b>		000 - 255	<b>Farbe fein</b>
<b>9</b>	<b>9</b>	<b>6</b>	000 - 255	<b>GESCHWINDIGKEIT</b>
			<b>Drehgeschwind. Gobowahl von max. zu min.</b>	
				<b>STATIKGOBO</b>
			000 - 003	Offen/Loch
			004 - 009	Gobo 1
			010 - 015	Gobo 2
			016 - 021	Gobo 3
			022 - 027	Gobo 4
			028 - 033	Gobo 5
			034 - 039	Gobo 6
			040 - 045	Gobo 7
			046 - 051	Gobo 8
			052 - 057	Gobo 9
			058 - 063	Gobo 10
			064 - 069	Strahlreduzierer 1
			070 - 075	Strahlreduzierer 2
			076 - 081	Strahlreduzierer 3
			082 - 087	Strahlreduzierer 4
<b>10</b>	<b>10</b>	<b>7</b>		

			<b>Wackelgobo mit zunehmender Geschwindigkeit</b>				
			088 - 095	Gobo 1 – Wackeln			
			096 - 103	Gobo 2 – Wackeln			
			104 - 111	Gobo 3 – Wackeln			
			112 - 119	Gobo 4 – Wackeln			
			120 - 127	Gobo 5 – Wackeln			
			128 - 135	Gobo 6 – Wackeln			
			136 - 143	Gobo 7 – Wackeln			
			144 - 151	Gobo 8 – Wackeln			
			152 - 159	Gobo 9 – Wackeln			
			160 - 167	Gobo 10 – Wackeln			
			168 - 175	Strahlreduzierer 1 – Wackeln			
			176 - 183	Strahlreduzierer 2 – Wackeln			
			184 - 191	Strahlreduzierer 3 – Wackeln			
			192 - 199	Strahlreduzierer 4 – Wackeln			
			200 - 201	Offen/Loch			
			202 - 221	Goborad-Drehung vorwärts mit abnehmender Geschwindigkeit			
			222 - 223	Keine Rotation			
			224 - 243	Goborad-Drehung rückwärts mit zunehmender Geschwindigkeit			
			244 - 249	Zufällige Gobowahl tongesteuert			
			<b>(Mikrofonempfindlichkeit unter „Personalisierung“ einstellen)</b>				
			250 - 255	Zufällige Gobowahl automatisch mit abnehmender Geschwindigkeit			
				<b>DREHGobo</b>			
			11	11	8	<b>Im DMX-Bereich von 000–059 beträgt die Geschwindigkeit für die Gobo-Auswahl Vom Effektgeschwindigkeitskanal gesteuert</b>	
						<b>Index – Indexierung auf Kanal 12/9 einstellen</b>	
000	Offen/Loch (Standard)						
001 - 004	Loch (Weiß)						
005 - 007	Gobo 1						
008 - 010	Gobo 2						
011 - 013	Gobo 3						
014 - 016	Gobo 4						
017 - 019	Gobo 5						
020 - 022	Gobo 6						
023 - 025	Gobo 7						
026 - 028	Gobo 8						
029 - 031	Gobo 9						
<b>Drehung – Drehung auf Kanal 12/9 einstellen</b>							
032 - 034	Gobo 1						
035 - 037	Gobo 2						
038 - 040	Gobo 3						
041 - 043	Gobo 4						
044 - 046	Gobo 5						
047 - 049	Gobo 6						
050 - 052	Gobo 7						
053 - 055	Gobo 8						
056 - 059	Gobo 9						
<b>Wackelgobo mit zunehmender Geschwindigkeit</b>							
<b>Index - Indexierung auf Kanal 12/9 einstellen</b>							
060 - 067	Gobo 1						



			068 - 075	Gobo 2
			076 - 083	Gobo 3
			084 - 091	Gobo 4
			092 - 099	Gobo 5
			100 - 107	Gobo 6
			108 - 115	Gobo 7
			116 - 123	Gobo 8
			124 - 129	Gobo 9
			<b>Wackelgobo mit zunehmender Geschwindigkeit</b>	
			<b>Drehung – Drehung auf Kanal 12/9 einstellen</b>	
			130 - 137	Gobo 1
			138 - 145	Gobo 2
			146 - 153	Gobo 3
			154 - 161	Gobo 4
			162 - 169	Gobo 5
			170 - 177	Gobo 6
			178 - 185	Gobo 7
			186 - 193	Gobo 8
			194 - 199	Gobo 9
			200 - 201	Offen/Loch
			202 - 221	Goborad-Drehung vorwärts mit abnehmender Geschwindigkeit
			222 - 223	Keine Rotation
			224 - 243	Goborad-Drehung rückwärts mit zunehmender Geschwindigkeit
			244 - 249	Zufällige Gobowahl tongesteuert
			<b>(Mikrofonempfindlichkeit im Menü „Personalisierung“ einstellen)</b>	
			250–255	Zufällige Gobowahl automatisch mit abnehmender Geschwindigkeit
				<b>DREHGOBO-DREHUNG</b>
			<b>Gobo-Indexierung – Position auf Kanal 11/8 einstellen</b>	
			000–255	Gobo-Indexierung
			<b>Gobo-Drehung – Position auf Kanal 11/8 einstellen</b>	
			000	Keine Rotation
			001 - 127	Gobo-Drehung vorwärts mit abnehmender Geschwindigkeit
			128 - 129	Keine Rotation
			130 - 255	Gobo-Drehung rückwärts mit zunehmender Geschwindigkeit
				<b>DREHGOBO-DREHUNG FEIN</b>
			000 - 255	Feinindexierung (Drehung)
				<b>PRISMA</b>
			000 - 019	Offen
			020 - 039	6-Facetten-Lineardrehprisma-Indexierung
			040 - 049	6-Facetten-Lineardrehprisma-Drehung
			050 - 059	8-Facetten-Runddrehprisma-Indexierung
			060 - 069	8-Facetten-Runddrehprisma-Drehung
			070 - 079	6-Facetten- und 8-Facetten-Drehprisma-Indexierung
			080 - 089	6-Facetten- und 8-Facetten-Drehprisma-Drehung
			090 - 108	6-Facetten-Lineardrehprisma-Indexierung 8-Facetten-Runddrehprisma-Drehung
			109 - 127	6-Facetten-Lineardrehprisma-Drehung
<b>12</b>	<b>12</b>	<b>9</b>		
<b>13</b>	<b>13</b>			
<b>14</b>	<b>14</b>	<b>10</b>		

				8-Facetten-Rundrehprisma-Indexierung
			128 - 135	Makro 1
			136 - 143	Makro 2
			144 - 151	Makro 3
			152 - 159	Makro 4
			160 - 167	Makro 5
			168 - 175	Makro 6
			176 - 183	Makro 7
			184 - 191	Makro 8
			192 - 199	Makro 9
			200 - 207	Makro 10
			208 - 215	Makro 11
			216 - 223	Makro 12
			224 - 231	Makro 13
			232 - 239	Makro 14
			240 - 247	Makro 15
			248 - 255	Makro 16
				<b>6-Facetten-Linearprisma-Drehung</b>
				<b>Prisma-Indexierung</b>
			000 - 255	Prisma-Indexierung
				<b>Prisma-Drehung</b>
			000	Keine Rotation
			001 - 127	Prisma-Drehung vorwärts mit abnehmender Geschwindigkeit
			128 - 129	Keine Rotation
			130 - 255	Prisma-Drehung rückwärts mit zunehmender Geschwindigkeit
				<b>8-FACETTEN-RUNDPRISMA-DREHUNG</b>
				<b>Prisma-Indexierung</b>
			000 - 255	Prisma-Indexierung
				<b>Prisma-Drehung</b>
			000	Keine Rotation
			001 - 127	Prisma-Drehung vorwärts mit abnehmender Geschwindigkeit
			128 - 129	Keine Rotation
			130 - 255	Prisma-Drehung rückwärts mit zunehmender Geschwindigkeit
				<b>Prisma-Drehung</b>
				<b>Prisma-Indexierung – Position auf Kanal 14/10 einstellen</b>
			000 - 255	Prisma-Indexierung
				<b>Prisma-Drehung – Position auf Kanal 14/10 einstellen</b>
			000	Keine Rotation
			001 - 127	Prisma-Drehung vorwärts mit abnehmender Geschwindigkeit
			128 - 129	Keine Rotation
			130 - 255	Prisma-Drehung rückwärts mit zunehmender Geschwindigkeit
<b>15</b>				<b>Prisma-Drehung</b>
<b>16</b>	<b>17</b>	<b>13</b>	000 - 255	<b>FROST</b>
				<b>Frost von 0 % bis 100 %</b>
<b>17</b>	<b>18</b>	<b>14</b>	000 - 255	<b>ZOOM</b>
				<b>Zoom von größtem bis kleinstem Winkel</b>
<b>18</b>	<b>19</b>		000 - 255	<b>ZOOM FEIN</b>
				<b>Feinzoomen</b>

19	20	15	000 - 255	<b>SCHARFSTELLUNG</b>
			Scharfstellung mit abnehmender Entfernung	
20	21		000 - 255	<b>SCHARFSTELLUNG FEIN</b>
			Feinscharfstellung	
21	22			<b>AUTOFOKUS</b>
			Wählen Sie die gewünschte Entfernung und den scharf zu stellenden Effekt und verwenden Sie den Scharfstell-Kanal, um das Bild scharf zustellen	
			000	Autofokus aus
			<b>Drehgobos und Loch</b>	
			001 - 007	10 Meter
			008 - 015	15 Meter
			016 - 023	20 Meter
			024 - 031	25 Meter
			032 - 039	30 Meter
			040 - 047	35 Meter
			048 - 055	40 Meter
			056 - 063	45 Meter
			<b>Statikgobo und Loch</b>	
			064 - 071	10 Meter
			072 - 079	15 Meter
			080 - 087	20 Meter
			088 - 095	25 Meter
			096 - 103	30 Meter
			104 - 111	35 Meter
			112 - 119	40 Meter
			120 - 126	45 Meter
127	Unendlich			
128 - 255	Reserviert			
22	23	16		<b>Shutter/Stroboskop</b>
			000 - 031	Shutter geschlossen (Lampenleistung reduziert auf 230 W)
			032 - 063	Shutter offen, volle Lampenleistung
			064 - 095	Stroboskopeffekt mit zunehmender Geschwindigkeit
			096 - 127	Shutter offen
			128 - 143	Öffnungsimpuls in Sequenzen mit zunehmender Geschwindigkeit
			144 - 159	Schließungsimpuls in Sequenzen mit abnehmender Geschwindigkeit
			160 - 191	Shutter offen
			192 - 223	Zufälliger Stroboskopeffekt mit zunehmender Geschwindigkeit
			224 - 255	Shutter offen, volle Lampenleistung
23	24	17	000 - 255	<b>DIMMER</b>
			Dimmerhelligkeit von 0 % bis 100 %	
24	25		000 - 255	<b>DIMMER FEIN</b>
			Feindimmen	

**DMX-KANAL (KURZE VERSION)**

24 Kanäle	25 Kanäle	17 Kanäle	FUNKTION
1	1	1	SCHWENKEN
2	2		LEICHTES SCHWENKEN (niederwertigstes Bit)
3	3	2	KIPPEN
4	4		LEICHTES KIPPEN (niederwertigstes Bit)
5	5	3	SCHWENKEN/KIPPEN-GESCHWINDIGKEIT (schnell bis langsam)
6	6	4	Spezielle Funktionen
7	7	5	FARBE
8	8		Farbe fein
9	9	6	GESCHWINDIGKEIT
10	10	7	STATIKGOBO
11	11	8	DREHGobo
12	12	9	DREHGOBO-DREHUNG
13	13		DREHGOBO-DREHUNG FEIN
14	14	10	PRISMA
	15	11	6-Facetten-Linearprisma-Drehung
	16	12	8-FACETTEN-RUNDRISMA-DREHUNG
15			Prisma-Drehung
16	17	13	FROST
17	18	14	ZOOM
18	19		ZOOM FEIN
19	20	15	SCHARFSTELLUNG
20	21		SCHARFSTELLUNG FEIN
21	22		AUTOFOKUS
22	23	16	Shutter/Stroboskop
23	24	17	DIMMER
24	25		DIMMER FEIN

## PFLEGE

- Stellen Sie sicher, dass sich keine unbefugten Personen unterhalb des Geräts befinden, während es gewartet wird.
- Schalten Sie das Gerät aus, ziehen Sie den Netzstecker und warten Sie, bis es sich abgekühlt hat.

### **Während der Wartung sind folgende Punkte ganz besonders zu beachten:**

- Sämtliche Schrauben zur Installation des Geräts und zur Befestigung jedes seiner Teile müssen fest angezogen und rostfrei sein.
- Gehäuse, Befestigungsmaterialien und Aufhängungen (Decke, Balken, abgehängte Decken) dürfen keine Anzeichen von Verformung aufweisen.
- Falls die Optik sichtbar beschädigt ist (Sprünge oder tiefe Kratzer), dann müssen die entsprechenden Teile ausgetauscht werden.
- Die Netzkabel müssen stets in einwandfreiem Zustand sein und selbst bei kleinsten Beschädigungen erneuert werden.
- Zur Vermeidung von Überhitzung müssen die Kühlventilatoren (sofern vorhanden) und Lüftungsschlitze monatlich gereinigt werden.
- Das Geräteinnere mindestens einmal pro Jahr mit einem Staubsauger oder einer Luftdüse reinigen.
- Die Reinigung der inneren und äußeren optischen Linsen bzw. Spiegel muss in regelmäßigen Abständen zur Beibehaltung einer optimalen Lichtausbeute vorgenommen werden. Die Reinigungsintervalle hängen stark von der Umgebung ab, in welcher das Gerät eingesetzt wird: feuchte, verrauchte oder besonders verschmutzte Umgebungen führen zu einer stärkeren Verschmutzung auf den Geräteoptik.
  - Mit einem weichem Tuch und gewöhnlichem Glasreiniger säubern.
  - Alle Teile stets gut abtrocknen.
  - Reinigen Sie die externen optischen Teile mindestens einmal alle 30 Tage.
  - Reinigen Sie die internen optischen Teile mindestens alle 90 Tage.

**Achtung:** Wir empfehlen dringend, die Reinigung des Geräteinneren nur von qualifiziertem Personal durchführen zu lassen!

## TECHNISCHE DATEN

Dieses Gerät ist funktentstört. Das Gerät erfüllt die Anforderungen der geltenden europäischen und nationalen Richtlinien. Die Konformität wurde nachgewiesen und die entsprechenden Erklärungen und Unterlagen liegen beim Hersteller vor. Dieses Gerät wird zur Erzeugung von dekorativen Beleuchtungseffekten in Lichtshows eingesetzt.

<b>Netzspannung:</b>	100-240 V Wechselstrom, 50/60Hz
<b>Leistungsaufnahme:</b>	400 Watt
<b>Sicherung:</b>	250-V-, 6,3-A-Sicherung
<b>Tonsteuerung:</b>	Keine
<b>DMX-Anschlüsse:</b>	XLR-Eingang/-Ausgang 3-polig und 5-polig
<b>Bewegung:</b>	Schwenken: 540° Neigung: 270° (+ Schwenk-/Neigungssperre als Transportsicherung)
<b>Dimmer/Shutter:</b>	Mechanischer Dimmer
<b>Farbrad:</b>	1 offene und 13 feste Farben (siehe Anhang)
<b>Festes Goborad:</b>	1 offenes und 14 feste Gobos (siehe Anhang)
<b>Drehgoborad:</b>	1 offenes und 9 Drehgobos (siehe Anhang)
<b>Effekt:</b>	8-Facetten-Rund- und 6-Facetten-Lineardrehprismen und Frost
<b>Abstrahlwinkel:</b>	2,7° > 11°
<b>Scharfstellung:</b>	Elektronisch (16 Bit)
<b>Benutzte DMX-Kanäle:</b>	17-24-25 Kanäle
<b>Lichtquelle:</b>	Osram Sirius HRI 280W E20.6
<b>Abmessungen:</b>	391 x 287 x 583 mm siehe Anhang
<b>Gewicht:</b>	15 kg

Diese Angaben können sich ohne gesonderten Hinweis ändern  
 Sie können sich die neueste Version dieses Benutzerhandbuches von unserer Website  
 herunterladen: [www.briteq-lighting.com](http://www.briteq-lighting.com)

# MANUAL DE INSTRUCCIONES

Gracias por comprar este producto Briteq®. Para aprovechar al máximo todas las posibilidades y por su propia seguridad, lea detenidamente este manual de instrucciones antes de comenzar a utilizar la unidad.

## CARACTERÍSTICAS

- Este proyector tiene BEAM + SPOT + WASH en una misma unidad: perfecto para empresas de alquiler de equipos!
- La lámpara OSRAM SIRIUS HRI 280 (7800K), combinada con una óptica de alta calidad, lo hacen increíblemente brillante:
  - BEAM: 2,7°~11°, máx. 82.650 lux @ 20 m
  - SPOT: 5°~23°, máx. 25.400 lux @ 10 m
- las diferentes ruedas de efectos crean efectos:
  - 1 rueda de color con 13 colores cuidadosamente seleccionados, que incluye filtros CTO y CTB + blanco
  - 1 rueda de gobos con 14 gobos estáticos + abierto
  - 1 rueda de gobos con 9 gobos giratorios fácilmente reemplazables (cristal + metal, DEx: 15,8 mm/ MI: 12,5 mm)
  - **¡Los prismas redondo de 8 caras + lineal de 6 caras tienen diferentes velocidades de giro y se pueden mezclar para crear efectos impresionantes!**
  - Efecto FROST (Efecto WASH)
  - ZOOM + ENFOQUE monitorizados con valores DMX calibrados
  - Preciso control de intensidad/obturación para una atenuación lineal y unos efectos estroboscópicos variables
- Los motores aseguran unos movimientos muy rápidos de 540°/270° en ORIENTACIÓN/INCLINACIÓN con precisión de 8 o 16 bits.
- Configuración modular para una limpieza y mantenimiento sencillos.
- Disponible el módulo DMX inalámbrico opcional (W-DMX Suecia)
- Pantalla táctil a color de 2,8" con rotación automática de la presentación para una navegación sencilla e intuitiva por los menús
- 3 modos de canal DMX diferentes (17can, 24can y 25can) para la máxima flexibilidad
- La fácil actualización del firmware mantiene su máquina al día en todo momento (se requiere un actualizador de firmware opcional)
- Control remoto para encendido/apagado de la lámpara
- Salidas/Entradas XLR Neutrik de 3 y 5 pines® para la máxima flexibilidad en un entorno profesional
- Salidas/entradas Neutrik Powercon®: pueden encadenarse hasta 16 A para facilitar la instalación
- Equipado con soportes omega para una instalación rápida.
- Consumo de potencia: solo 400 W

## ANTES DE USAR

- Antes de comenzar a utilizar esta unidad, compruebe si no ha sufrido daños durante el transporte. Si hubiera alguno, no utilice el dispositivo y consulte primero con su distribuidor.
- **Importante:** Este dispositivo salió de nuestra fábrica en perfectas condiciones y bien embalado. Es absolutamente necesario que se obedezcan al pie de la letra las instrucciones y advertencias de seguridad que aparecen en este manual de usuario. Cualquier daño causado por una mala manipulación no estará cubierto por la garantía. El distribuidor no aceptará ninguna responsabilidad por defectos o problemas causados por no obedecer lo indicado en este manual de usuario.
- Mantenga este folleto en un lugar seguro para futuras consultas. Si vende este equipo, asegúrese de incluir este manual de usuario.

### Compruebe el contenido:

Verifique que la caja contenga los elementos siguientes:

- BTX-TITAN
- 2 unidades de "soportes Omega" de bloqueo rápido

- Cable PowerCON®
- Cable de seguridad
- Instrucciones de funcionamiento

## INSTRUCCIONES DE SEGURIDAD



**PRECAUCIÓN:** Para reducir el riesgo de descarga eléctrica, no retire la cubierta superior. Dentro no hay componentes que puedan ser reparados por el usuario. Dirija cualquier reparación o mantenimiento solamente a personal cualificado.



El símbolo de relámpago con punta de flecha dentro de un triángulo equilátero advierte al usuario de la presencia de “tensiones peligrosas” no aisladas dentro de la carcasa del producto que pueden ser de una magnitud suficiente como para constituir un riesgo de descarga eléctrica.



El signo de admiración dentro de un triángulo equilátero advierte al usuario de la presencia de instrucciones importantes relacionadas con la operación y el mantenimiento (reparación) en la literatura que se entrega junto con el equipo.



Este símbolo significa: sólo para uso en interiores



Este símbolo significa: lea las instrucciones



Este símbolo determina: la distancia de separación mínima de los objetos iluminados. La distancia mínima entre la salida de luz y la superficie iluminada debe ser mayor de 12 metros



El dispositivo no es adecuado para el montaje directo sobre superficies normalmente inflamables. (apto solamente para el montaje sobre superficies no combustibles)

- Para proteger el medio ambiente, intente reciclar el material del embalaje en la mayor medida posible.
- Cuando se usa un dispositivo lumínico nuevo a veces aparece algo de humo y/o olores no deseados. Esto es normal y desaparece después de algunos minutos.
- Para evitar el riesgo de incendio o de descarga eléctrica, no exponga este aparato a la lluvia ni a la humedad.
- Para evitar que se forme condensación en el interior del equipo, permita que la unidad se adapte a la temperatura del entorno cuando se lleve a una habitación cálida después del transporte. La condensación impide a veces que la unidad trabaje a plena capacidad e incluso puede causar averías.
- Esta unidad es solamente para uso en interiores.
- No coloque objetos metálicos ni derrame líquidos dentro de la unidad. Puede provocar una descarga eléctrica o un mal funcionamiento. Si un objeto extraño se introduce dentro de la unidad, desconecte de inmediato la alimentación eléctrica.
- Coloque el proyector en un lugar bien ventilado, lejos de materiales y/o líquidos inflamables. El proyector debe estar fijo con al menos 50 cm de separación de las paredes de su alrededor.
- No cubra ninguna abertura de ventilación ya que esto puede provocar sobrecalentamiento.
- Evite emplearlo en ambientes polvorientos y limpie la unidad con regularidad.
- Mantenga la unidad lejos de los niños.
- Este equipo no debe ser utilizado por personas inexpertas.
- La temperatura ambiente máxima segura es de 40°C. No utilice esta unidad a temperatura ambiente mayor que ésta.
- La superficie de la unidad puede alcanzar los 85°C. No toque el alojamiento con las manos desnudas durante su operación.
- Asegúrese de que el área que se encuentra bajo el lugar de instalación esté libre de personas no autorizadas durante la subida, bajada y reparación del aparato.
- Deje que el producto se enfríe unos 10 minutos antes de sustituir la bombilla o comenzar el mantenimiento.
- Siempre desenchufe la unidad cuando no se vaya a utilizar durante un período de tiempo prolongado, cuando vaya a sustituir las bombillas o realizar reparaciones.
- La instalación eléctrica debe realizarla solamente personal cualificado, de acuerdo con la normativa sobre seguridad eléctrica y mecánica de su país.
- Compruebe que la tensión disponible no sea superior a la que se indica en el panel posterior de la unidad.
- El cable de alimentación debe estar siempre en perfectas condiciones. Apague de inmediato la unidad cuando el cable de alimentación esté aplastado o dañado. Para evitar riesgos, debe ser sustituido por el fabricante, por su representante de servicio técnico o por una persona de cualificación similar.
- ¡Nunca permita que el cable de alimentación haga contacto con otros cables!

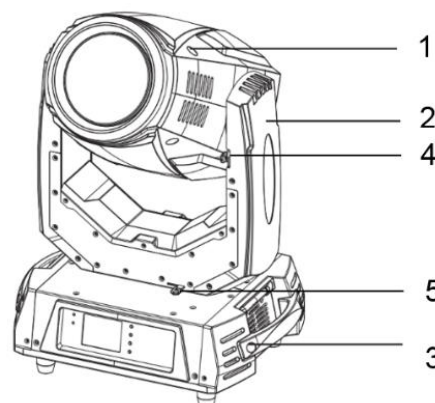
- Este proyector debe conectarse a tierra para cumplir con las normas de seguridad.
- No conecte la unidad a un dispositivo de atenuación.
- Cuando instale la unidad utilice siempre un cable de seguridad apropiado y certificado.
- Para evitar descargas eléctricas, no abra la cubierta. No hay piezas reparables por el usuario, aparte de la lámpara y el fusible.
- Nunca repare un fusible o puentee el soporte del fusible. ¡Siempre sustituya un fusible dañado con otro del mismo tipo y las mismas especificaciones eléctricas!
- En el caso de que haya serios problemas de funcionamiento, deje de usar el aparato y contacte inmediatamente con su distribuidor.
- La carcasa y las lentes deben sustituirse si están visiblemente dañadas.
- Utilice el embalaje original cuando haya que transportar el dispositivo.
- Por razones de seguridad, está prohibido realizar modificaciones no autorizadas a la unidad.

**Importante:** ¡Nunca mire directamente a la fuente de luz! No use efectos de luz en presencia de personas que padezcan de epilepsia.

## DESCRIPCIÓN:

### DISPOSITIVO:

1. Cabezal
2. Brazo
3. Base
4. Palanca de auto-bloqueo del brazo de inclinación
5. Palanca de auto-bloqueo en orientación

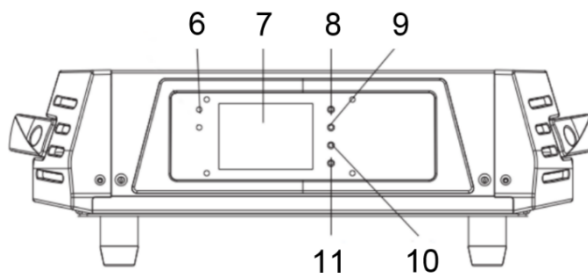


### Precaución: ¡el cabezal y el brazo deben estar desbloqueados antes de funcionar!

- El mecanismo de inclinación se bloquea y libera cada 45°
- El mecanismo de orientación se bloquea y libera cada 45°

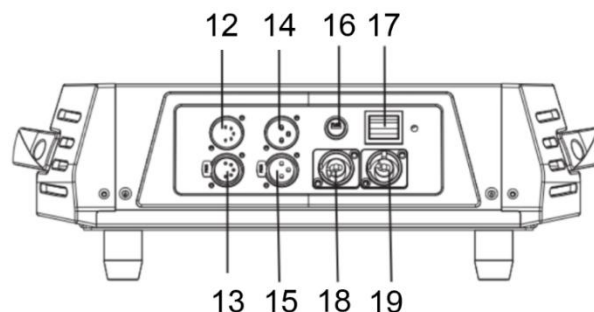
### PANEL DE CONTROL:

6. Led DMX inalámbrico
7. Pantalla táctil LCD
8. Botón MODO
9. Botón ARRIBA
10. Botón ABAJO
11. Botón ENTRAR



### PANEL TRASERO:

12. Salida DMX XLR de 5 pines
13. Entrada DMX XLR de 5 pines
14. Salida DMX XLR de 3 pines
15. Entrada DMX XLR de 3 pines
16. Fusible principal
17. Interruptor de encendido
18. Entrada PowerCon®
19. Salida PowerCon®



**Consejo:** Por favor visite nuestro sitio web para conocer los cables especiales que contienen tanto alimentación (3x1,5 mm<sup>2</sup> con Neutrik PowerCON® como señal balanceada (XLR 3 pines) en un solo cable. Hay disponible varias longitudes: 1,3 m, 3 m, 5 m y 10 m, ¡muy cómodo!



## COLOCACIÓN Y SUSTITUCIÓN DE LA LÁMPARA



En caso de sustitución de la lámpara o de mantenimiento, no abra el accesorio hasta que hayan transcurrido 10 minutos y la unidad se haya enfriado tras su apagado. ¡Desconecte siempre la unidad antes de las tareas de mantenimiento! Utilice siempre el mismo tipo de piezas de repuesto (bombillas, fusibles, etc.). Cuando sustituya alguna pieza, por favor, utilice sólo piezas de repuesto originales.

Debido a su alta presión interna, podría existir el riesgo de que la lámpara de descarga explotara durante su funcionamiento. La lámpara emite radiación UV intensa con efectos nocivos para los ojos y la piel. La alta luminosidad del arco puede causar daño severo en la retina si se mira directamente a la lámpara a corta distancia.

Para proteger la lámpara, primero apague siempre la lámpara (usando el panel de control o el controlador DMX) y deje que la unidad se enfríe durante 5 minutos antes de desenchufarla de la red eléctrica. Nunca manipule la lámpara ni el proyector cuando estén calientes.

Lleve puestos unos guantes. No toque la bombilla con las manos desnudas. Si lo hace, limpie la lámpara con alcohol desnaturalizado y pásele un paño que no suelte pelusa antes de su instalación.

Cuando se enciende, la lámpara funciona con alta presión y existe el ligero riesgo de ruptura del tubo del arco. Este riesgo aumenta con la vejez, la temperatura y una incorrecta manipulación de la lámpara.

No utilice una lámpara más tiempo que su vida útil.

Compruebe que la lámpara esté colocada en el centro del reflector para una mejor proyección.

- Apague la unidad y desenchufe el cable de alimentación.
- Espere unos 10 minutos hasta que la unidad se haya enfriado.
- Use un destornillador y quite los tornillos (A-B-C) para abrir la cubierta trasera del proyector. (Figura. 1)

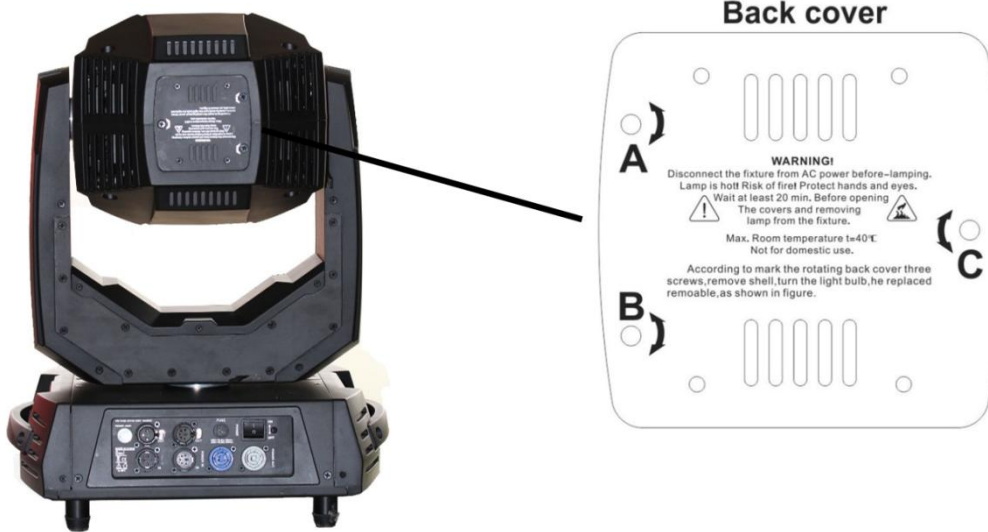


Figura 1 – Cubierta trasera

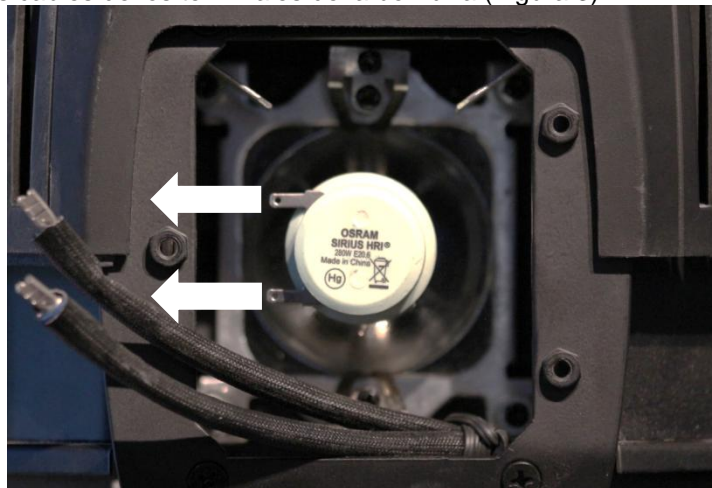
Dentro encontrará la bombilla “Sirius HRI 280W E20.6” de OSRAM (Figura 2)

**Atención:** Lleve puestos unos guantes. No toque la bombilla con las manos desnudas. Si lo hace, limpie la lámpara con alcohol desnaturalizado y pásele un paño que no suelte pelusa antes de su instalación. ¡Si lo hace podrá acortar la vida útil de la bombilla nueva!



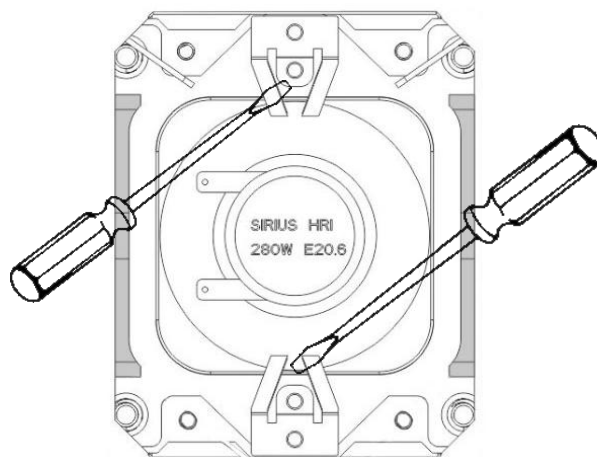
Figura 2 - OSRAM Sirius HRI 280W

- Retire con cuidado los cables de los terminales de la bombilla (Figura 3)



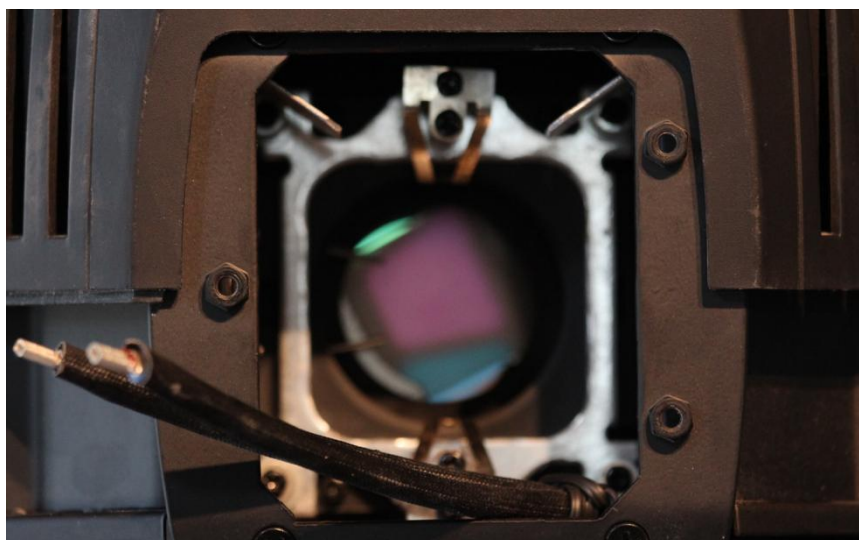
**Figura 3 - Cables quitados**

- No necesita quitar más tornillos para sacar la bombilla, tan solo nueva CON CUIDADO las los piezas metálicas que mantienen la bombilla en su posición. Agarre la bombilla por su base durante esta operación (Figura 4)



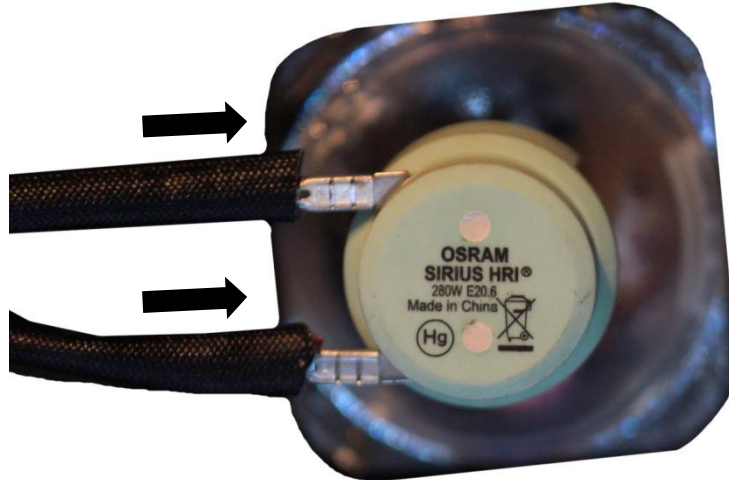
**Figura 4 - Separe CON CUIDADO el soporte metálico de la bombilla**

- Saque la bombilla del cabezal del BTX-TITAN (Figura 5)



**Figura 5 - Cabezal del BTX-TITAN sin bombilla**

- Conecte los cables a la bombilla “Sirius HRI 280W E20.6” de OSRAM nueva  
**Importante:** use SOLAMENTE una bombilla “Philips MSD Platinum 2R” de OSRAM original, ya que otras bombillas tendrán menor rendimiento o incluso podría averiar la unidad.



- Coloque la bombilla nueva sobre el soporte presionándola hasta que los soportes aguanten correctamente la bombilla.
- Encienda la unidad y use el controlador DMX para apuntar con el haz abierto sobre una pared.  
**Atención:** evite mirar a la luz que proceda directamente de la bombilla desde el interior de la unidad, ya que la radiación UV es dañina para sus ojos. (La luz del haz saliente pasa primero a través de un filtro UV)
- Verá un punto de luz concentrada dentro del haz proyectado en la pared. Ajuste este punto usando el tornillo que se muestra en la Fig. 6. El punto de luz debe en el centro del haz tanto como sea posible.

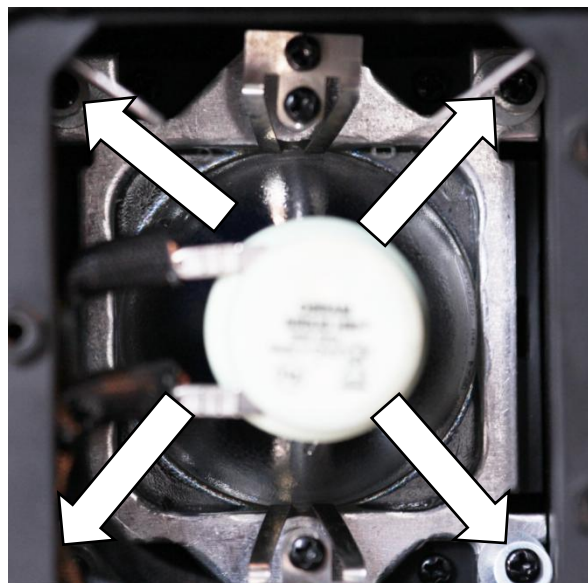


Figura 6 - Tornillos de corrección del punto de luz

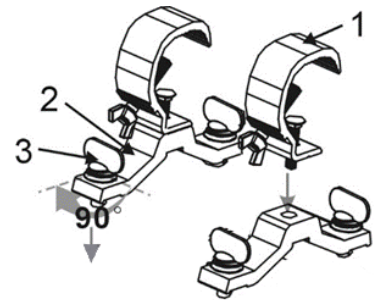
- Cierre la cubierta
- Hecho

## MONTAJE EN ALTURA (SOBRE LA CABEZA)

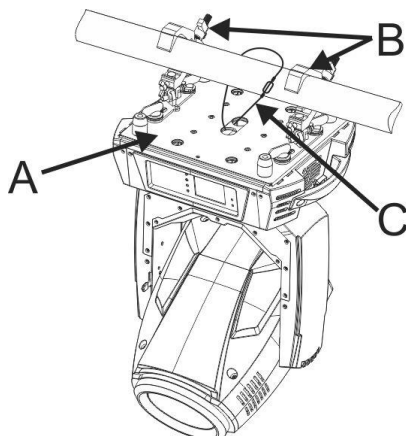
- **Importante:** La instalación debe efectuarla solamente personal de servicio cualificado. Una instalación no adecuada puede dar como resultado lesiones serias y/o daños a la propiedad. ¡Colocar el dispositivo sobre un montaje en altura requiere una gran experiencia! Deben respetarse los límites de carga de trabajo, utilizarse materiales de instalación certificados y el dispositivo instalado debe inspeccionarse con regularidad por motivos de seguridad.
- Asegúrese de que el área que se encuentra bajo el lugar de instalación esté libre de personas no autorizadas durante la subida, bajada y reparación del aparato.
- Coloque el proyector en un lugar bien ventilado, lejos de materiales y/o líquidos inflamables. El proyector debe estar fijo con **al menos 50 cm** de separación de las paredes de su alrededor.
- El dispositivo debe instalarse fuera del alcance de las personas y fuera de las áreas donde puedan pasar o estar sentadas las personas.
- Antes de subir el proyector para su colocación, asegúrese de que el área de instalación pueda sostener una carga puntual mínima de 10 veces el peso del dispositivo.
- Utilice siempre un cable de seguridad certificado que pueda sostener 12 veces el peso del dispositivo, una vez instalada la unidad. Esta segunda fijación de seguridad debe instalarse de forma que ninguna parte de la instalación pueda caer más de 20 cm si la fijación principal falla.
- El dispositivo debe fijarse bien, ¡un montaje que permita el balanceo es peligroso y no debe considerarse!
- No cubra ninguna abertura de ventilación ya que esto puede provocar sobrecalentamiento.
- El operador tiene que estar seguro de que las instalaciones técnicas de la máquina y las relacionadas con la seguridad son aprobadas por un experto antes de utilizarlas por primera vez. Las instalaciones deben inspeccionarse anualmente por una persona con experiencia para asegurarse de que la seguridad es óptima.

### Instalación:

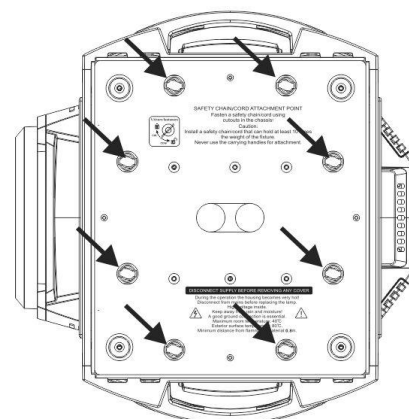
- Fije los ganchos para estructura Truss (1) en los soportes Omega mediante un tornillo y una tuerca.
- Asegure los soportes Omega (2) a la parte inferior de la base, insertando las fijaciones de bloqueo rápido (3) en los orificios de la base y apretándolos totalmente en sentido de las agujas del reloj.



### ORIFICIOS DE LOS SOPORTES OMEGA



- A = Placa de montaje
- B = Abrazaderas de anclaje rápido
- C = Cable/Cadena de seguridad

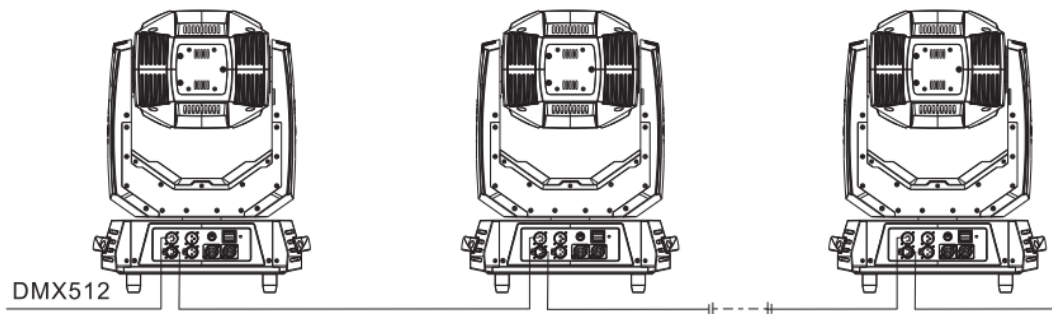
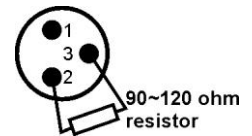


# INSTALACIÓN ELÉCTRICA + DIRECCIONAMIENTO

**⚠ Importante:** La instalación eléctrica debe realizarla solamente personal cualificado, de acuerdo con la normativa sobre seguridad eléctrica y mecánica de su país.

## Instalación eléctrica para dos o más unidades en el modo DMX:

- El protocolo DMX es una señal de alta velocidad ampliamente utilizada para controlar equipamiento de iluminación inteligente. Tiene que encadenar el controlador DMX y todas las unidades conectadas con un cable balanceado de buena calidad.
- Se utilizan tanto conectores XLR de 3 pines como XLR de 5 pines; no obstante, el XLR de 3 pines es más popular porque estos cables son compatibles con cables de audio balanceados.  
 Distribución de pines del XLR de 3 pines: Pin 1 = TIERRA ~ Pin 2 = Señal negativa (-) ~ Pin 3 = Señal positiva (+)  
 Distribución de pines del XLR de 5 pines: Pin 1 = TIERRA ~ Pin 2 = Señal negativa (-) ~ Pin 3 = Señal positiva (+) ~ Pines 4 y 5 sin utilizar.
- Para evitar un comportamiento extraño de los efectos de luces debido a interferencias, debe utilizar un terminador de 90Ω a 120Ω al final de la cadena. Nunca utilice cables divisores en Y, jesto simplemente no funcionará!
- Asegúrese de que todas las unidades estén conectadas a la red eléctrica.
- Cada unidad de la cadena necesita tener su propia dirección de inicio, para que sepa qué comandos del controlador son los que debe decodificar. En la sección siguiente aprenderá cómo configurar las direcciones DMX.



# INSTRUCCIONES DE FUNCIONAMIENTO

- No encienda y apague la unidad en intervalos de tiempo cortos, ya que esto reduce la vida de las lámparas.
- Desconecte siempre la unidad cuando no se vaya a utilizar durante un largo tiempo, o antes sustituir la lámpara o realizar una reparación.
- En el caso de que haya serios problemas de funcionamiento, deje de usar el aparato y contacte inmediatamente con su distribuidor.
- **Importante:** ¡Nunca mire directamente a la fuente de luz! No use efectos de luz en presencia de personas que padezcan de epilepsia.

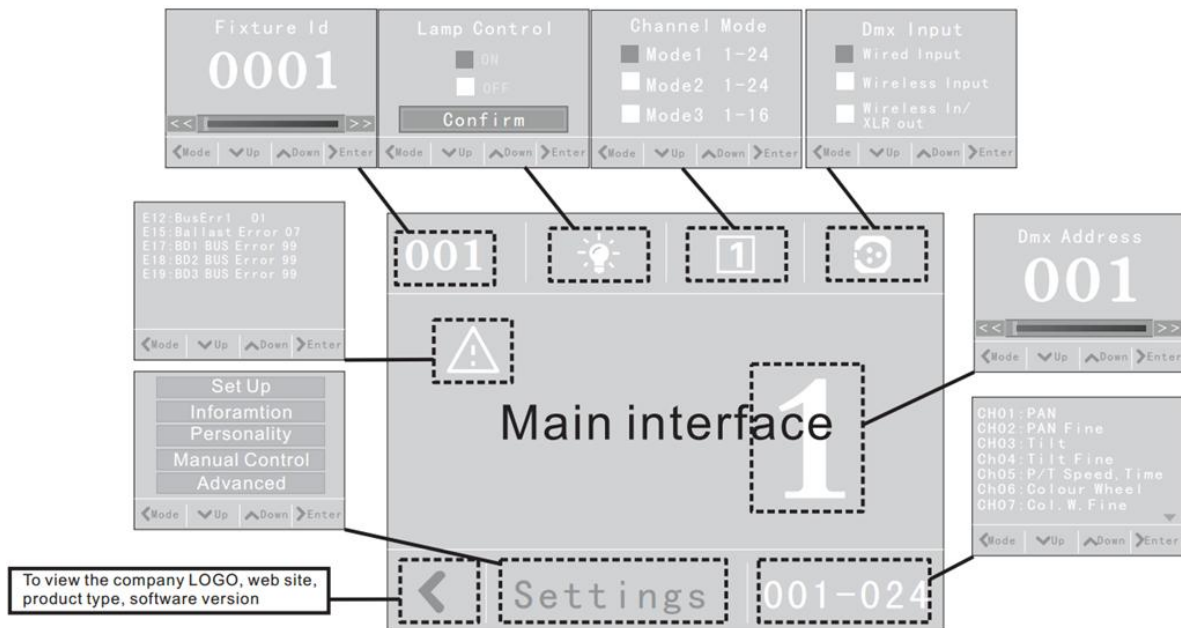
## MENU

Se pueden usar los botones o la pantalla táctil para navegar por el menú de configuración con sus diferentes submenús. Podrá cambiar fácilmente los ajustes como la dirección DMX, diferentes funciones, etc.

- Use los botones Arriba/Abajo para navegar por el menú y para cambiar los valores de las funciones seleccionadas.
- Cada vez que seleccionar un elemento del menú o cambie un parámetro, deberá pulsar el botón ENTER para confirmar.
- Pulse el botón MENU para regresar al menú (previo).

## PANTALLA TÁCTIL, ESTRUCTURA DE LA INTERFAZ PRINCIPAL:

Cuando se enciende la unidad, en la pantalla aparece el logo BriteQ, seguido de la interfaz principal que se muestra a continuación. La interfaz principal se organiza en diferentes partes (iconos). Puede pulsar estos iconos, que de hecho son accesos directos, para acceder inmediatamente a las diferentes partes del menú de configuración (vez dibujo).



### ID DEL PROYECTOR

La ID del proyector (comprendida entre 0001 y 9999) facilita la instalación ya que cada producto puede ser identificado por un número único. Con la batería interna, no es necesario conectar el proyector a la red eléctrica para configurarlo o para leer la ID.

Para cambiar la ID del proyector es necesario una contraseña: "1702".

### CONTROL DE LA LÁMPARA

Enciende o Apaga la lámpara

### MODO CANAL

Establece el modo de canales del BriteQ BTX-TITAN:

- **Modo 1:** 24 canales
- **Modo 2:** 25 canales
- **Modo 3:** 17 canales

### ENTRADA DMX

- **en verde:** la señal DMX recibida es correcta.
- **en rojo y con la LCD parpadeando:** la señal DMX recibida no es correcta o NO se recibe señal DMX.

Se usa para establecer la entrada deseada para la señal DMX:

- **Entrada por cable:** se usa la entrada XLR (de 3 o 5 pines).
- **Entrada inalámbrica:** la señal DMX procede de un transmisor inalámbrico externo (de venta por separado)
- **Entrada inalámbrica/Salida XLR:** la señal DMX procede de un transmisor inalámbrico externo (de venta por separado). La señal DMX inalámbrica está también disponible en la salida DMX (3 o 5 pines) para poder montar otros equipos en cadena.

**Observación importante:** originalmente este proyector NO viene equipado con un módulo receptor inalámbrico. El módulo receptor inalámbrico está disponible como opción.

### DIRECCIÓN DMX

Establezca la dirección DMX presionando en el centro de la pantalla durante al menos 2 segundos (aparecerá en pantalla la barra amarilla de progreso) y aparecerá el panel de la dirección DMX. Puede cambiar la dirección DMX usando el control deslizante en la pantalla táctil o los botones "+" y "-". El icono ">>" asigna la última dirección DMX válida, de acuerdo con el modo de canal seleccionado. El icono "<<" establece la dirección 1. Confirme la dirección DMX establecida pulsando ENTER. Ahora la página principal está actualizada, y el rango DMX usado por el producto aparece en la esquina inferior derecha de la pantalla.

**LISTA DE CANALES**

Al pulsar sobre el rango de direcciones DMX xxx-xxx en la pantalla principal, aparecerá la tabla DMX de acuerdo con el modo de canal seleccionado.

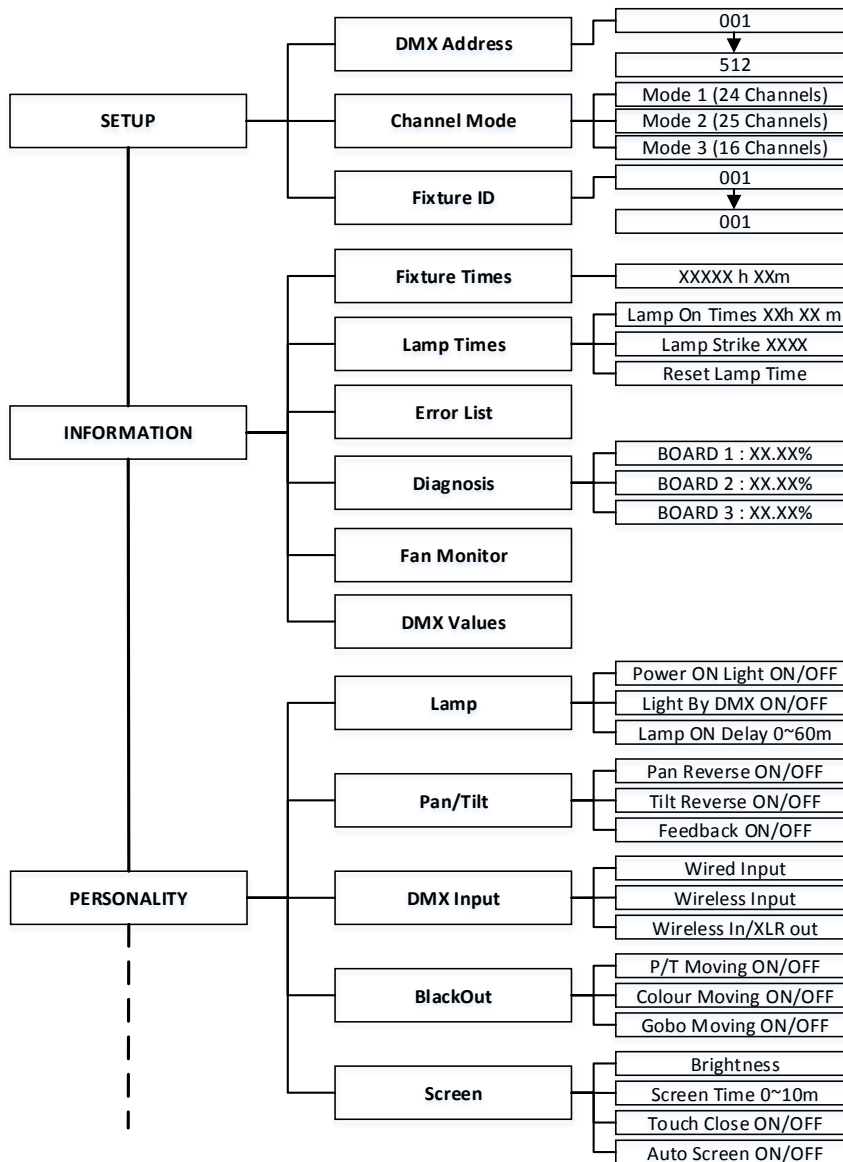
**MENSAJES DE ERROR** ⚠

Pulse el ICONO- ⚠: aparecerá una lista de mensajes de error. Por favor, compruebe los códigos de error al final del manual del usuario.

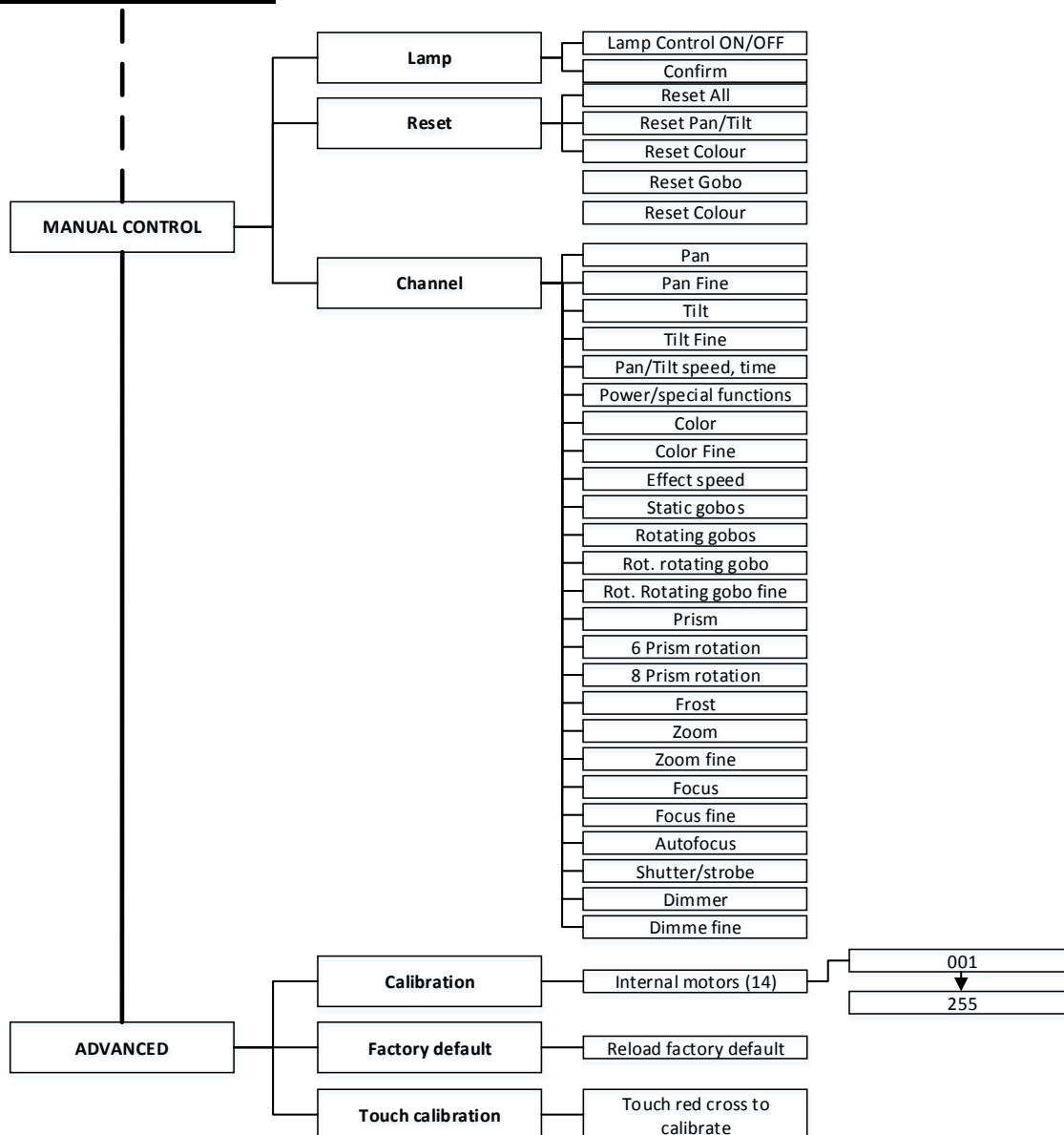
**MENÚ DE CONFIGURACIÓN**

Pulse sobre configuración para abrir el menú de ajustes. Use los botones Arriba/Abajo, MODE y ENTER para navegar.

**MAPA DE MENÚS - PARTE 1**



**MAPA DE MENÚS - PARTE 2**



**CONFIGURACIÓN DIRECCIÓN DMX**

Establezca la dirección DMX presionando en el centro de la pantalla durante al menos 2 segundos (aparecerá en pantalla la barra amarilla de progreso) y aparecerá el panel de la dirección DMX. Puede cambiar la dirección DMX usando el control deslizante en la pantalla táctil o los botones “+” y “-“. El icono “>>” asigna la última dirección DMX posible, de acuerdo con el modo de canal seleccionado. El icono “<<” establece la dirección 1. Establezca la dirección DMX pulsando ENTER. Ahora la página principal está actualizada, y el rango DMX usado por el producto aparece en la esquina inferior derecha de la pantalla.

**CONFIGURACIÓN MODO DE CANAL**

Establece el modo de canales del BriteQ BTX-TITAN:

- **Modo 1:** 24 canales
- **Modo 2:** 25 canales
- **Modo 3:** 17 canales

**CONFIGURACIÓN ID DEL PROYECTOR**

La ID del proyector (comprendida entre 0001 y 9999) facilita la instalación ya que cada producto puede ser identificado por un número único. Con la batería interna, no es necesario conectar el proyector a la red eléctrica para configurarlo o para leer la ID.

Para cambiar la ID del proyector es necesario una contraseña: "1702".



**INFORMACIÓN TIEMPO PROYECTOR**

Muestra el tiempo de funcionamiento (en horas) desde el primer uso.

**INFORMACIÓN TIEMPO LÁMPARA**

**Tiempo funcionamiento lámpara:** Muestra el número de horas totales de la lámpara desde su primer encendido

**Encendidos de la lámpara:** Muestra el número total de veces que se encendió la lámpara desde su primer encendido

**Reiniciar tiempo de lámpara:** Pone a cero el número de horas totales de la lámpara desde su primer encendido.  
Debe realizarse después de un cambio de bombilla.

**INFORMACIÓN LISTA DE ERRORES**

Si se detecta un error, aquí aparecerá la lista de errores. Por defecto, sin ningún error: "sin error".

**INFORMACIÓN DIAGNÓSTICO**

Muestra el estado de caja tarjeta. Si alguna de las tarjetas electrónicas no está al 100% contacte con el servicio técnico.

**INFORMACIÓN VERIFICACIÓN DEL VENTILADOR**

Muestra la velocidad de giro del ventilador. Velocidad en giros por minuto.

**INFORMACIÓN VALOR DMX**

Muestra el valor DMX recibido por el Briteq BTX-TITAN en la entrada DMX. Se puede utilizar como un analizador DMX para comprobar los valores recibidos.

**PERSONALIDAD LÁMPARA****Encender la luz (Act- Desact):**

- **Activado:** Enciende la lámpara al activarlo.
- **Desactivado:** La lámpara tiene que encenderse usando el menú local o DMX.

**Encender la luz por DMX (Act - Desact):**

- **Activado:** La lámpara se puede encender usando MDX.
- **Desactivado:** La lámpara no se puede encender usando MDX.

**Retardo de encendido (0-60 min):**

La lámpara se enciende automáticamente a los 0-60 min después de encender el proyector. Un encendido retardado puede ser útil en una instalación permanente.

**PERSONALIDAD ORIENTACIÓN INCLINACIÓN****Orientación invertida (Act - Desact)**

- **Activado:** El movimiento de orientación funciona en sentido inverso
- **Desactivado:** El movimiento de orientación funciona con normalidad

**Inclinación invertida (Act - Desact)**

- **Activado:** El movimiento de inclinación funciona en sentido inverso
- **Desactivado:** El movimiento de inclinación funciona con normalidad

**Retroalimentación (Act - Desact)**

- **Activado:** la posición de orientación/inclinación se corrige automáticamente.
- **Desactivado:** la posición de orientación/inclinación no se corrige automáticamente.

**PERSONALIDAD ENTRADA DMX**

Se usa para establecer la entrada deseada para la señal DMX:

- **Entrada por cable:** se usa la entrada XLR (de 3 o 5 pines).
- **Entrada inalámbrica:** la señal DMX procede de un transmisor inalámbrico externo (de venta por separado)
- **Entrada inalámbrica/Salida XLR:** la señal DMX procede de un transmisor inalámbrico externo (de venta por separado). La señal DMX inalámbrica está también disponible en la salida DMX (3 o 5 pines) para poder montar otros equipos en cadena.

*Observación importante: originalmente este proyector NO viene equipado con un módulo receptor inalámbrico. El módulo receptor inalámbrico está disponible como opción.*

**PERSONALIDAD APAGADO**

**Movimiento O/I (Act-Desact))**

- **Activado:** Apagado mientras se mueve en Orientación/Inclinación
- **Desactivado:** No se apaga mientras se mueve en Orientación/Inclinación

**Movimiento de color (Act-Desact)**

- **Activado:** Apagado durante los cambios de color
- **Desactivado:** No se apaga durante los cambios de color

**Movimiento del gobo (Act-Desact)**

- **Activado:** Apagado durante los cambios de gobo
- **Desactivado:** No se apaga durante el cambio de gobo

**PERSONALIDAD PANTALLA**

**Brillo**

Ajusta el brillo de la pantalla

**Tiempo de pantalla**

Establece un retardo entre 0 y 10 minutos para salir automáticamente de la interfaz de menús y apagar la pantalla.

**Pantalla táctil (Act - Desact)**

- **Activado:** La pantalla táctil está activa
- **Desactivado:** La pantalla táctil no está activa, solo es posible navegar por los menús usando los botones.

**Pantalla Auto (Act - Desact)**

- **Activado:** la pantalla gira automáticamente, dependiendo del ángulo del BriteQ BTX-TITAN.
- **Desactivado:** La orientación de la pantalla es fija

**CONTROL MANUAL LÁMPARA**

**Control de lámpara (Act - Desact):** Activa o desactiva el control manual

**CONTROL MANUAL REINICIO**

<b>Restaurar todo:</b>	Restaura todas las funciones del BriteQ BTX-TITAN
<b>Restaurar orientación/inclinación:</b>	Restaura la posición en orientación e inclinación
<b>Restaurar color:</b>	Restaura la rueda de color
<b>Restaurar gobo:</b>	Restaura la rueda de gobos
<b>Restaurar otros:</b>	Restaura el resto de funciones

**CONTROL MANUAL CANAL**

Cambia manualmente el valor de cada canal. Este es un modo sencillo para probar la máquina sin conectar la consola DMX.

**AVANZADO CALIBRACIÓN**

Calibración de los 14 motores integrados. Los valores se pueden ajustar desde 001 hasta 255. La contraseña de calibración es "0088".

**AVANZADO CONFIGURACIÓN DE FÁBRICA**

Recupera la configuración predeterminada de fábrica.

**AVANZADO CALIBRACIÓN TÁCTIL**

Recalibre la pantalla táctil pulsando sobre la cruz roja que aparece en la pantalla.

## CANAL DMX (VERSIÓN COMPLETA)

La unidad viene equipada con 3 modos DMX diferentes:

- **MODO 24can:** Modo de funcionalidad completa
- **MODO 25can:** Modo de funcionalidad completa extendido, con un control separado para la velocidad de rotación de ambos prismas.
- **MODO 17can:** Modo simplificado con funcionalidad limitada

24can	25can	17can	VALOR	FUNCIÓN		
1	1	1	000-255	ORIENTACIÓN		
2	2		000-255	AJUSTAR ORIENTACIÓN (bit menos importante)		
3	3	2	000-255	INCLINACIÓN		
4	4		000-255	AJUSTAR INCLINACIÓN (bit menos importante)		
5	5	3	000-255	VELOCIDAD DE ORIENTACIÓN/INCLINACIÓN (rápido a lento)		
6	6	4		<b>FUNCIONES ESPECIALES</b>		
			000 - 009	Reservado		
			<b>+ IMPORTANTE + Para activar las siguientes funciones, el Obturador/Estrobo de la unidad seleccionada debe estar cerrado (Valor DMX 0-31) durante más de 3 s para validad la función especial</b>			
			010 - 014	Entrada DMX: DMX por cable*		
			015 - 019	Entrada DMX: DMX inalámbrico*		
			020 - 024	Modo Eco (potencia de la lámpara 230 W)		
			025 - 029	Modo normal (potencia de la lámpara 280 W)		
			030 - 049	Reservado		
			050 - 059	Modo Velocidad en Orientación/Inclinación		
			060 - 069	Modo Tiempo de Orientación/Inclinación		
			070 - 079	Apagado cuando se mueve en Orientación/Inclinación		
			080 - 089	Apagado desactivado cuando se mueve en Orientación/Inclinación		
			090 - 099	Apagado cuando se mueve la rueda de color		
			100 - 109	Apagado desactivado cuando se mueve la rueda de color		
			110 - 119	Apagado cuando se mueve la rueda de gobos		
			120 - 129	Apagado desactivado cuando se mueve la rueda de gobos		
			130 - 139	Lámpara encendida, reiniciar (restauración completa excepto en orientación/inclinación)		
			140 - 149	Restaurar orientación/inclinación		
			150 - 159	Restaurar sistema de colores		
			160 - 169	Restaurar rueda de gobos		
			170 - 179	Atenuador/Obturador		
180 - 189	Restaurar Zoom/Enfoque/Prisma					
190 - 199	Reservado					
200 - 209	Restauración completa					
210 - 229	Reservado					
230 - 239	Apagar lámpara					
240 - 255	Reservado					

7	7	5		<b>COLOR</b>
			000 - 008	Abierto/blanco
			009 - 017	Rojo oscuro
			018 - 026	Azul oscuro
			027 - 036	Amarillo
			037 - 045	Verde
			046 - 054	Magenta
			055 - 063	Celeste
			064 - 072	Rojo
			073 - 081	Verde oscuro
			082 - 090	Ámbar
			091 - 100	azul
			101 - 109	Naranja
			110 - 118	CTO
			119 - 127	Filtro UV
			128 - 129	Blanco
				<b>Posicionamiento</b>
			130 - 134	Rojo oscuro
			135 - 138	Azul oscuro
			139 - 143	Amarillo
			144 - 147	Verde
			148 - 152	Magenta
			153 - 157	Celeste
			158 - 161	Rojo
			162 - 166	Verde oscuro
			167 - 171	Ámbar
			172 - 176	azul
			177 - 180	Naranja
			181 - 185	CTO
			186 - 189	Filtro UV
			190 - 215	Avanza en efecto arco iris de rápido a lento
216 - 217	Sin rotación			
218 - 243	Retrocede en efecto arco iris de lento a rápido			
244 - 249	Selección aleatoria de color por control del audio			
	<b>Selección aleatoria de color por control del audio</b>			
250 - 255	Selección de color aleatoria automática de rápido a lento			
8	8		000 - 255	<b>AJUSTAR DE COLOR</b>
9	9	6	000 - 255	<b>VELOCIDAD DEL EFECTO</b>
				<b>Velocidad de giro Selección del gobo de máx. a mín.</b>
10	10	7		<b>GOBO ESTÁTICO</b>
			000 - 003	Abierto/Agujero
			004 - 009	Gobo 1
			010 - 015	Gobo 2
			016 - 021	Gobo 3
			022 - 027	Gobo 4
			028 - 033	Gobo 5
			034 - 039	Gobo 6
			040 - 045	Gobo 7
			046 - 051	Gobo 8
			052 - 057	Gobo 9
	058 - 063	Gobo 10		

11	11	8	064 - 069	Reductor del haz 1
			070 - 075	Reductor del haz 2
			076 - 081	Reductor del haz 3
			082 - 087	Reductor del haz 4
			<b>Gobos vibrantes de lento a rápido</b>	
			088 - 095	Gobo 1 - Vibrante
			096 - 103	Gobo 2 - Vibrante
			104 - 111	Gobo 3 - Vibrante
			112 - 119	Gobo 4 - Vibrante
			120 - 127	Gobo 5 - Vibrante
			128 - 135	Gobo 6 - Vibrante
			136 - 143	Gobo 7 - Vibrante
			144 - 151	Gobo 8 - Vibrante
			152 - 159	Gobo 9 - Vibrante
			160 - 167	Gobo 10 - Vibrante
			168 - 175	Reductor del haz 1 - Vibrante
			176 - 183	Reductor del haz 2 - Vibrante
			184 - 191	Reductor del haz 3 - Vibrante
			192 - 199	Reductor del haz 4 - Vibrante
			200 - 201	Abierto/Agujero
			202 - 221	Avanza en la rotación de la rueda de gobos de rápido a lento
			222 - 223	Sin rotación
			224 - 243	Retrocede en la rotación de la rueda de gobos de lento a rápido
			244 - 249	Selección aleatoria de gobo por control del audio
			<b>(Ajuste la sensibilidad del micrófono en "Personality")</b>	
			250 - 255	Selección de gobo aleatoria automática de rápido a lento
			<b>GOBO GIRATORIO</b>	
<b>En el rango de 000 - 059 la velocidad de selección del gobo es controlado por el canal de velocidad del efecto</b>				
<b>Indexado - establece el indexado en el canal 12/9</b>				
000	Abrir/Agujero (predeterminado)			
001 - 004	Agujero (campo plano)			
005 - 007	Gobo 1			
008 - 010	Gobo 2			
011 - 013	Gobo 3			
014 - 016	Gobo 4			
017 - 019	Gobo 5			
020 - 022	Gobo 6			
023 - 025	Gobo 7			
026 - 028	Gobo 8			
029 - 031	Gobo 9			
<b>Rotación - establece la rotación en el canal 12/9</b>				
032 - 034	Gobo 1			
035 - 037	Gobo 2			
038 - 040	Gobo 3			
041 - 043	Gobo 4			
044 - 046	Gobo 5			
047 - 049	Gobo 6			
050 - 052	Gobo 7			
053 - 055	Gobo 8			
056 - 059	Gobo 9			

			<b>Gobos vibrantes de lento a rápido</b>
			<b>Indexado - establece la indexación en el canal 12/9</b>
			060 - 067 Gobo 1
			068 - 075 Gobo 2
			076 - 083 Gobo 3
			084 - 091 Gobo 4
			092 - 099 Gobo 5
			100 - 107 Gobo 6
			108 - 115 Gobo 7
			116 - 123 Gobo 8
			124 - 129 Gobo 9
			<b>Gobos vibrantes de lento a rápido</b>
			<b>Rotación - establece la rotación en el canal 12/9</b>
			130 - 137 Gobo 1
			138 - 145 Gobo 2
			146 - 153 Gobo 3
			154 - 161 Gobo 4
			162 - 169 Gobo 5
			170 - 177 Gobo 6
			178 - 185 Gobo 7
			186 - 193 Gobo 8
			194 - 199 Gobo 9
			200 - 201 Abierto/Agujero
			202 - 221 Avanza en la rotación de la rueda de gobos de rápido a lento
			222 - 223 Sin rotación
			224 - 243 Retrocede en la rotación de la rueda de gobos de lento a rápido
			244 - 249 Selección aleatoria de gobo por control del audio
			<b>(Ajuste la sensibilidad del micrófono en "Personality")</b>
			250 - 255 Selección de gobo aleatoria automática de rápido a lento
			<b>ROTACIÓN DEL GOBO GIRATORIO</b>
			<b>Indexado del gobo - establece la posición en el canal 11/8</b>
			000 - 255 Indexado del gobo
			<b>Rotación del gobo - establece la posición en el canal 11/8</b>
			000 Sin rotación
			001 - 127 Avanza en la rotación del gobo de rápido a lento
			128 - 129 Sin rotación
			130 - 255 Retrocede en la rotación del gobo de lento a rápido
12	12	9	
			<b>AJUSTAR LA ROTACIÓN DEL GOBO GIRATORIO</b>
			000 - 255 Indexado fino (rotación)
			<b>PRISMA</b>
			000 - 019 Abierto
			020 - 039 Indexado del prisma giratorio lineal de 6 caras
			040 - 049 Rotación del prisma giratorio lineal de 6 caras
			050 - 059 Indexado del prisma giratorio circular de 8 caras
			060 - 069 Rotación del prisma giratorio circular de 8 caras
			070 - 079 Indexado del prisma giratorio circular de 6 caras y 8 caras
			080 - 089 Rotación del prisma giratorio circular de 6 caras y 8 caras
13	13		
14	14	10	

			090 - 108	Indexado del prisma giratorio lineal de 6 caras Rotación del prisma giratorio circular de 8 caras
			109 - 127	Rotación del prisma giratorio lineal de 6 caras Indexado del prisma giratorio circular de 8 caras
			128 - 135	Macro 1
			136 - 143	Macro 2
			144 - 151	Macro 3
			152 - 159	Macro 4
			160 - 167	Macro 5
			168 - 175	Macro 6
			176 - 183	Macro 7
			184 - 191	Macro 8
			192 - 199	Macro 9
			200 - 207	Macro 10
			208 - 215	Macro 11
			216 - 223	Macro 12
			224 - 231	Macro 13
			232 - 239	Macro 14
			240 - 247	Macro 15
			248 - 255	Macro 16
	15	11		<b>ROTACIÓN DEL PRISMA LINEAL DE 6 CARAS</b>
			<b>Indexado del prisma</b>	
			000 - 255	Indexado del prisma
			<b>Rotación del prisma</b>	
			000	Sin rotación
			001 - 127	Avanza en la rotación del prisma de rápido a lento
			128 - 129	Sin rotación
			130 - 255	Retrocede en la rotación del prisma de lento a rápido
	16	12		<b>ROTACIÓN DEL PRISMA CIRCULAR DE 8 CARAS</b>
			<b>Indexado del prisma</b>	
			000 - 255	Indexado del prisma
			<b>Rotación del prisma</b>	
			000	Sin rotación
			001 - 127	Avanza en la rotación del prisma de rápido a lento
			128 - 129	Sin rotación
			130 - 255	Retrocede en la rotación del prisma de lento a rápido
15				<b>ROTACIÓN DEL PRISMA</b>
			<b>Indexado del prisma - establece la posición en el canal 14/10</b>	
			000 - 255	Indexado del prisma
			<b>Rotación del prisma - establece la posición en el canal 14/10</b>	
			000	Sin rotación
			001 - 127	Avanza en la rotación del prisma de rápido a lento
			128 - 129	Sin rotación
		130 - 255	Retrocede en la rotación del prisma de lento a rápido	
16	17	13	000 - 255	<b>FROST</b>
				<b>Frost desde 0% al 100%</b>
17	18	14	000 - 255	<b>ZOOM</b>
				<b>Zoom desde el ángulo máximo al mínimo</b>

18	19		000 - 255	<b>AJUSTAR ZOOM</b>		
			Ampliación de precisión			
19	20	15	000 - 255	<b>ENFOQUE</b>		
			Ajuste del enfoque desde lejos hasta cerca			
20	21		000 - 255	<b>AJUSTAR ENFOQUE</b>		
			Enfoque de precisión			
21	22		<b>AUTOENFOQUE</b>			
			Seleccione la distancia deseada y el efecto en el que necesitará el enfoque y use el canal "Enfoque" para enfocar la imagen			
			000	Autoenfoco desactivado		
			<b>Gobos giratorios y agujero</b>			
			001 - 007	10 metros		
			008 - 015	15 metros		
			016 - 023	20 metros		
			024 - 031	25 metros		
			032 - 039	30 metros		
			040 - 047	35 metros		
			048 - 055	40 metros		
			056 - 063	45 metros		
			<b>Gobos estáticos y agujero</b>			
			064 - 071	10 metros		
			072 - 079	15 metros		
			080 - 087	20 metros		
			088 - 095	25 metros		
			096 - 103	30 metros		
			104 - 111	35 metros		
			112 - 119	40 metros		
120 - 126	45 metros					
127	Infinito					
128 - 255	Reservado					
22	23	16	<b>OBTURADOR/ESTROBO</b>			
			000 - 031	Obturador cerrado (potencia de la lámpara reducida a 230 W)		
			032 - 063	Obturador abierto, lámpara a plena potencia		
			064 - 095	Efecto Estrobo de lento a rápido		
			096 - 127	Obturador abierto		
			128 - 143	Pulso de apertura en secuencias de lento a rápido		
			144 - 159	Pulso de cierre en secuencias de rápido a lento		
			160 - 191	Obturador abierto		
			192 - 223	Efecto Estrobo aleatorio de lento a rápido		
224 - 255	Obturador abierto, lámpara a plena potencia					
23	24	17	000 - 255	<b>ATENUADOR</b>		
			Intensidad del atenuador desde 0% hasta 100%			
24	25		000 - 255	<b>AJUSTAR ATENUADOR</b>		
			Atenuación de precisión			



## CANAL DMX (VERSIÓN CORTA)

24can	25can	17can	FUNCIÓN
1	1	1	ORIENTACIÓN
2	2		AJUSTAR ORIENTACIÓN (bit menos importante)
3	3	2	INCLINACIÓN
4	4		AJUSTAR INCLINACIÓN (bit menos importante)
5	5	3	VELOCIDAD DE ORIENTACIÓN/INCLINACIÓN (rápido a lento)
6	6	4	FUNCIONES ESPECIALES
7	7	5	COLOR
8	8		AJUSTAR DE COLOR
9	9	6	VELOCIDAD DEL EFECTO
10	10	7	GOBO ESTÁTICO
11	11	8	GOBO GIRATORIO
12	12	9	ROTACIÓN DEL GOBO GIRATORIO
13	13		AJUSTAR LA ROTACIÓN DEL GOBO GIRATORIO
14	14	10	PRISMA
	15	11	ROTACIÓN DEL PRISMA LINEAL DE 6 CARAS
	16	12	ROTACIÓN DEL PRISMA CIRCULAR DE 8 CARAS
15			ROTACIÓN DEL PRISMA
16	17	13	FROST
17	18	14	ZOOM
18	19		AJUSTAR ZOOM
19	20	15	ENFOQUE
20	21		AJUSTAR ENFOQUE
21	22		AUTOENFOQUE
22	23	16	OBTURADOR/ESTROBO
23	24	17	ATENUADOR
24	25		AJUSTAR ATENUADOR

## MANTENIMIENTO

- Asegúrese de que el área debajo del lugar de instalación esté libre de personas no autorizadas cuando realice mantenimiento/repificaciones.
  - Apague la unidad, desenchufe el cable de alimentación y espere hasta que se enfríe.
- Durante la inspección deben revisarse los puntos siguientes:**
- Todos los tornillos utilizados para la instalación del dispositivo y cualquiera de sus componentes deben estar bien apretados y no pueden tener corrosión.
  - Las carcasas, fijaciones y puntos de instalación (techo, refuerzos, suspensiones) deben estar totalmente libres de cualquier deformación.
  - Cuando una lente óptica está visiblemente dañada debido a grietas o arañazos profundos, debe ser sustituida.
  - Los cables de alimentación deben estar en condiciones impecables y deben sustituirse inmediatamente incluso si se detecta un problema pequeño.
  - Para proteger el dispositivo contra el sobrecalentamiento, los ventiladores de enfriamiento (si hay alguno) y las aberturas de ventilación deben limpiarse mensualmente.
  - El interior del dispositivo debe limpiarse anualmente utilizando una aspiradora o chorro de aire.
  - La limpieza de las lentes ópticas y/o espejos internos y externos debe efectuarse periódicamente para optimizar la salida de la luz. La frecuencia de limpieza depende del entorno en el que opera el proyector; ambientes húmedos, con humo o especialmente sucios pueden provocar una mayor acumulación de suciedad en los componentes ópticos de la unidad.
    - Límpielos con un paño suave utilizando productos normales para la limpieza del vidrio.
    - Siempre seque cuidadosamente las piezas.
    - Limpie la óptica externa al menos una vez cada 30 días.
    - Limpie la óptica interna al menos cada 90 días.

**Atención: ¡Recomendamos encarecidamente que la limpieza se lleve a cabo por personal cualificado!**

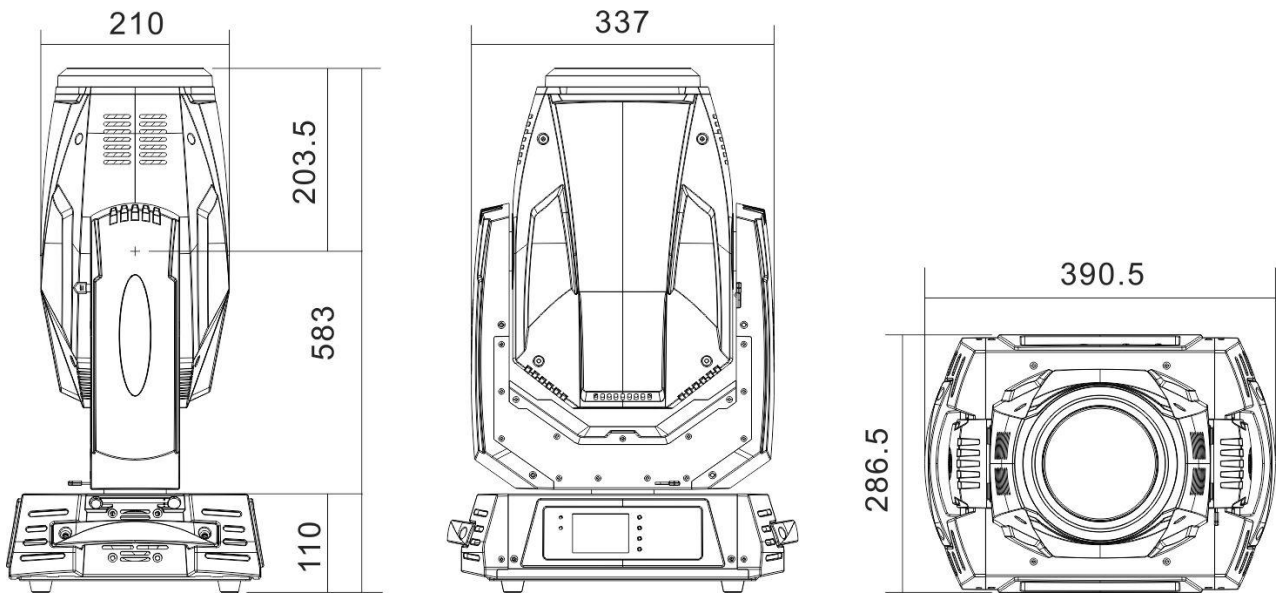
## ESPECIFICACIONES

Esta unidad tiene supresión de interferencias de radio. Este producto cumple con los requisitos de las normas actuales, tanto europeas como nacionales a tal respecto. Dicha conformidad ha sido establecida y las declaraciones y documentos pertinentes han sido depositados por el fabricante. Este dispositivo fue diseñado para producir efectos de iluminación decorativa y se utiliza en sistemas de espectáculos de iluminación.

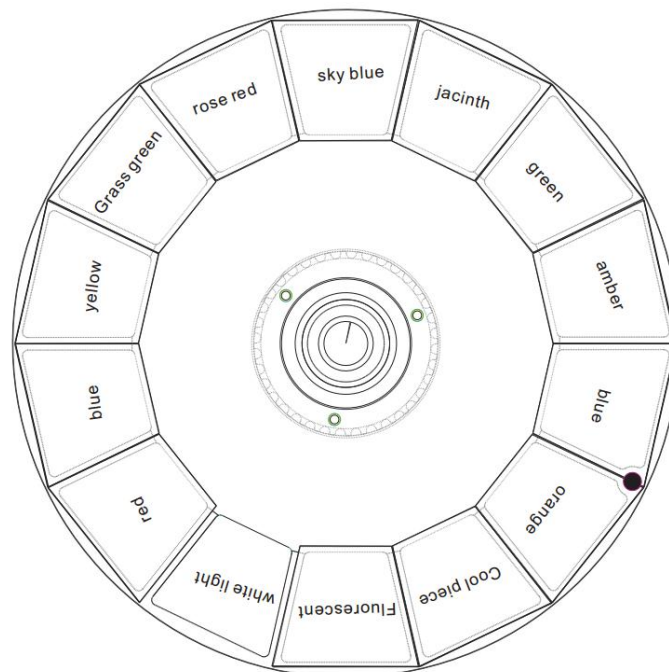
<b>Entrada de alimentación:</b>	100 - 240 V CA , 50/60 Hz
<b>Consumo de potencia:</b>	400 W
<b>Fusible:</b>	fusible de 250 V y 6,3 A
<b>Control de sonido:</b>	ninguno
<b>Conexiones DMX:</b>	ENTRADA/SALIDA XLR de 3 pines y de 5 pines
<b>Movimiento:</b>	Orientación: 540° Inclinación: 270° (+ bloqueo del movimiento en Orientación/Inclinación para protección durante el transporte)
<b>Atenuador/Obturador:</b>	Atenuador mecánico
<b>Rueda de colores:</b>	1 abierta + 13 colores fijos (vea anexo)
<b>Rueda de gobos fijos:</b>	1 abierta + 14 gobos fijos (vea anexo)
<b>Rueda de gobos giratorios:</b>	1 abierta + 9 gobos giratorios (vea anexo)
<b>Efecto:</b>	prismas giratorios lineal de 6 caras y circular de 8 caras + FROST
<b>Ángulo del haz:</b>	2,7° > 11°
<b>Enfoque:</b>	Electrónico (16 bits)
<b>Canales DMX utilizados:</b>	17, -24, -25 canales
<b>Lámpara:</b>	Sirius HRI 280W E20.6 de Osram
<b>Tamaño:</b>	391 x 287 x 583 mm (vea anexo)
<b>Peso:</b>	15 kg

**Esta información está sujeta a cambios sin notificación previa**  
**Puede descargar la versión más reciente de este manual de usuario en nuestro sitio Web:**  
**[www.briteq-lighting.com](http://www.briteq-lighting.com)**

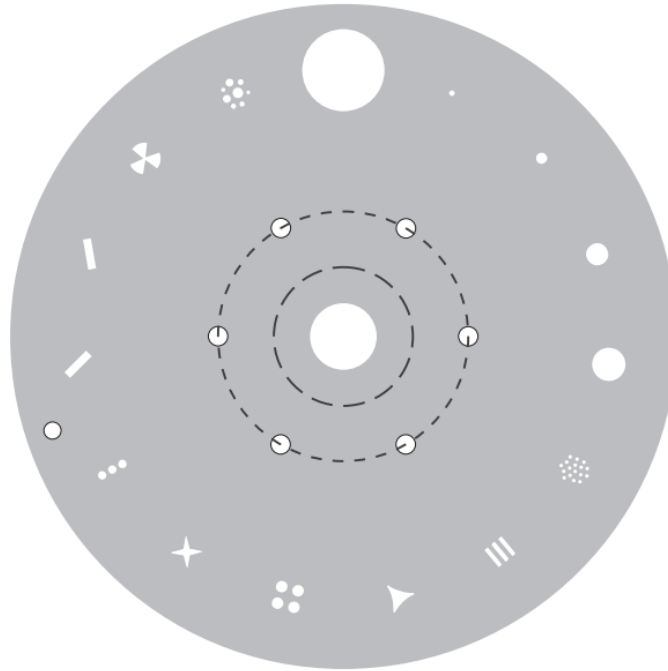
## DIMENSIONS



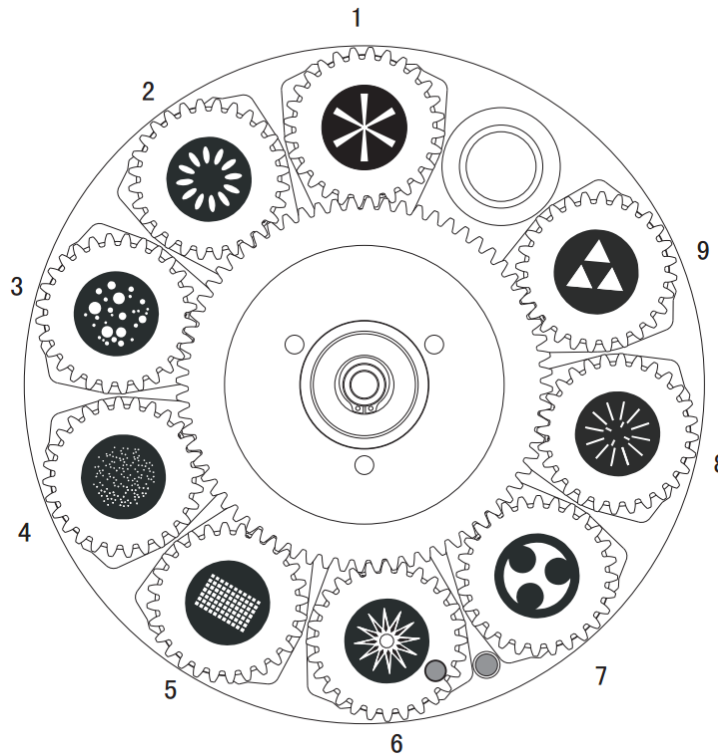
## COLOUR WHEEL



**FIXED GOBO WHEEL** (effective diameter 5.8mm)

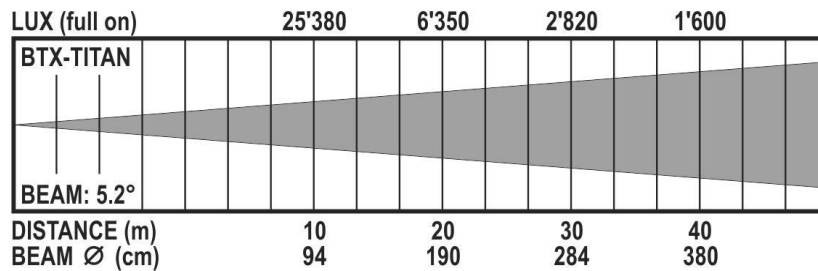
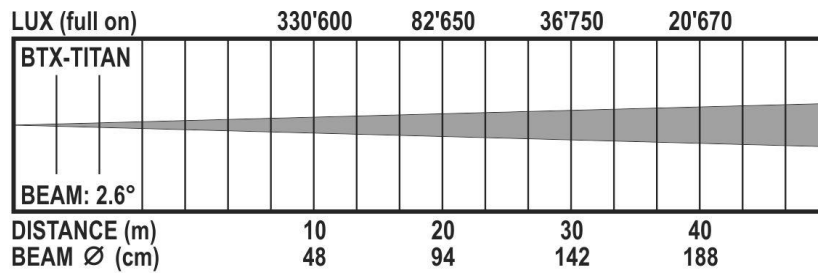


**ROTATING GOBO WHEEL**



glass + metal, OD: 15.8mm / IM: 12.5mm

## LUX CHARTS



## TROUBLESHOOTING

### ERROR LIST

CODE	ERROR MESSAGE	NAME	EXPLANATION
E14	SPDError	Wrong setting parameters (automatic recovery) EOL	Reset all setting parameters
E15	Ballast Error	Ballast Error	Check whether the rectifier control line is wrong, change the rectifier
E16	MFpga Error	Master control chip error	Change the main control chip or change the display board semi-finished products
E17	BD1 BUS Error	To scan the communication error	Look for virtual communication signal lines, communication chip welding or short circuit
E18	BD2 BUS Error	Scanning to the driven plate 1 communication error	
E19	BD3 BUS Error	Drive plate 1 to drive plate 2 communication error	
E21	Pan FB. Err	Levels of light coupling error	Check that the light coupling line, optical coupling switch and a plate of the relative position measurement
E22	Pan Zero Err	Level of magnetic susceptibility (origin) error	Check line magnetic susceptibility, magnets and magnetic susceptibility of distance and location, have the magnet
E23	Tilt FB. Err	The vertical light coupling error	Check that the light coupling line, optical coupling switch and a plate of the relative position measurement
E24	Tilt Zero Err	Vertical magnetic susceptibility (origin) error	Check line magnetic susceptibility, magnets and magnetic susceptibility of distance and location, have the magnet
E25	6 Prism Err1	Six prism magnetic susceptibility (origin) error	
E26	6 Prism Err2	Six prism rotation of magnetic susceptibility (origin) error	
E27	8 Prism Err1	Eight prism magnetic susceptibility (origin) error	
E28	8 Prism Err2	Eight prism rotation of magnetic susceptibility (origin) error	
E29	R.Gobo Err1	Rotate magnetic susceptibility (origin) error	
E30	R.Gobo Err2	Rotating magnetic susceptibility patterns (origin) error	
E31	Zomm Err	Amplification of magnetic susceptibility (origin) error	
E32	Focus Err	Focusing magnetic susceptibility (origin) error	
E33	St.Gobo Err	Fixed plate of magnetic susceptibility (origin) error	
E34	ColourW. Err	Color piece of magnetic susceptibility (origin) error	
E35	Hot Err	Heat insulation motor/magnetic susceptibility (origin) error	Check the line of magnetic susceptibility, magnets and magnetic susceptibility of distance and location, is there a magnet, the motor line ever.







## **MAILING LIST**

**EN: Subscribe today to our mailing list for the latest product news!**

**FR: Inscrivez-vous à notre liste de distribution si vous souhaitez suivre l'actualité de nos produits!**

**NL: Abonneer je vandaag nog op onze mailinglijst en ontvang ons laatste product nieuws!**

**DE: Abonnieren Sie unseren Newsletter und erhalten Sie aktuelle Produktinformationen!**

**ES: Suscribete hoy a nuestra lista de correo para recibir las últimas noticias!**

**[WWW.BRITEQ-LIGHTING.COM](http://WWW.BRITEQ-LIGHTING.COM)**

**Copyright © 2015 by BEGLEC NV**

't Hofveld 2C ~ B1702 Groot-Bijgaarden ~ Belgium

Reproduction or publication of the content in any manner, without express permission of the publisher, is prohibited.